

Quality. Uncompromised.

ROTEL®

**PUBLIC ADDRESS
AMPLIFIER**

QA-30

REPAIR PARTS LIST

Schematic Location	Computer No.	Description
Q100	TR30000327	2SC536G, Mute Control
Q101	TR30000327	2SC536G, Mute Control
Q102	TR10000023	2SA1016 (G, H), Main Amp (differential)
Q103	TR10000023	2SA1016 (G, H), Main Amp (differential)
Q104	TR10000126	2SA608K, Constant Current Source
Q105	TR30000327	2SC1571, Pre-Driver
Q106	TR10000023	2SA1016 (G, H), Main Amp Compensation
Q107	TR30000327	2SA536G, Main Amp Compensation
Q108	TR30000121	2SC2274 (E, F), Driver
Q109	TR10000140	2SA984K (E, F), Driver
Q110	TR40000021	2SD896 (D, E), Main Amp (Power)
Q111	TR20000014	2SB776, Main Amp (Power)
D100	DD20000168	WZ-056 Mute Control
D101, 102	DD10000100	IN4148, Bias Compensator
D103, 104	DD10000100	IN4148, Bias Compensator
D105, 106	DD20000090	WZ-140, Zener Regulator
D107	DD10000020	KBL-02, Rectifier
IC100	IC00001000	NJM4562DD TEL Mic Amp
IC101	IC00000019	NJM4558DD Aux Program Amp
L100	LC00410004	RL-41, Anti-Parasitic
VR100	RV10000573	4TR-1886A, 1MB, Mic Volume Control
VR101	RV10000573	4TR-1886A, 1MB, TEL Mic Volume Control
VR102	RV10000573	4TR-1886A, 1MB, Aux, Program Volume Control
VR103	RV11010033	4TR-2047, 100KC, Bass Control
VR104	RV11010033	4TR-2047, 100KC, Treble Control
VR105	RV20000272	08-301, 5KB, Bias Adj
F100, 101	FU12000082	Fuse 250V 3A UL, AC Circuit Protector
T001	PT11030046	Power Transformer TT-200AF
T002	PT11030009	Output Transformer TT-201

SCHEMATIC DIAGRAM MODEL QA-30 SPECIFICATIONS OR WIRING DIAGRAM OF THIS MODEL ARE SUBJECT TO CHANGE FOR THE IMPROVEMENT WITHOUT PRIOR NOTICE.

RESISTOR

5%, TOLERANCE UNLESS OTHERWISE NOTED
 K---KILO OHM
 M---MEGA OHM
 NON MARK LOW NOISE TYPE RESISTOR 1/4 WATT

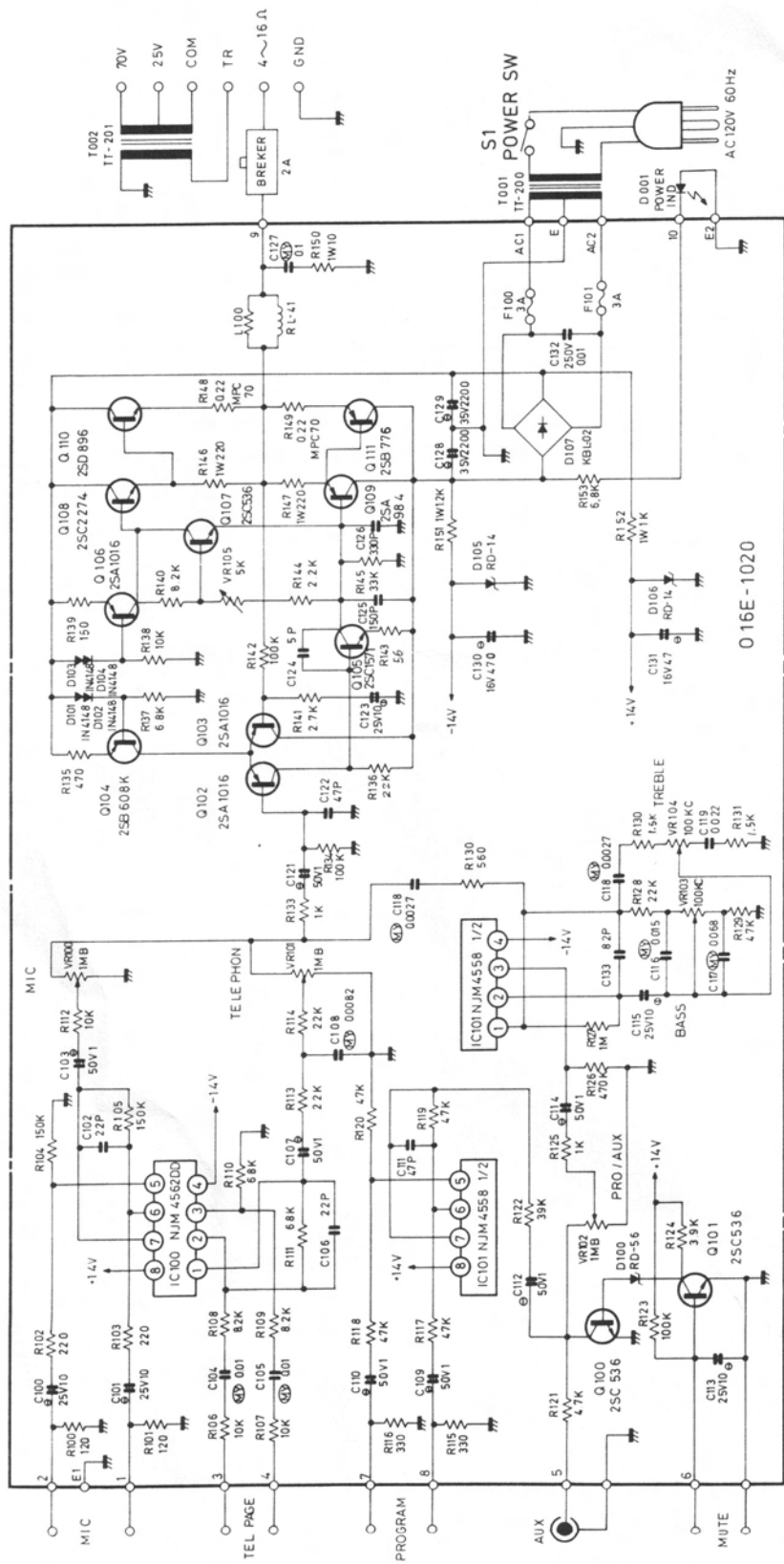
CAPACITOR

Ⓢ---MYLAR FILM CAPACITOR
 Ⓢ---STYROL CAPACITOR
 Ⓢ---ELECTROLYTIC CAPACITOR
 NON MARK CERAMIC CAPACITOR
 UNLESS OTHERWISE NOTED IN SCHEMATIC
 ALL CAPACITOR VALUES ARE EXPRESSED IN MFD

•2SD 896
 •2SB776

•2SC536
 •2SK608K
 •2SA1016
 •2SC2274
 •2SA984

•NJM4562D
 •NJM4558



016E-1020