

6

5

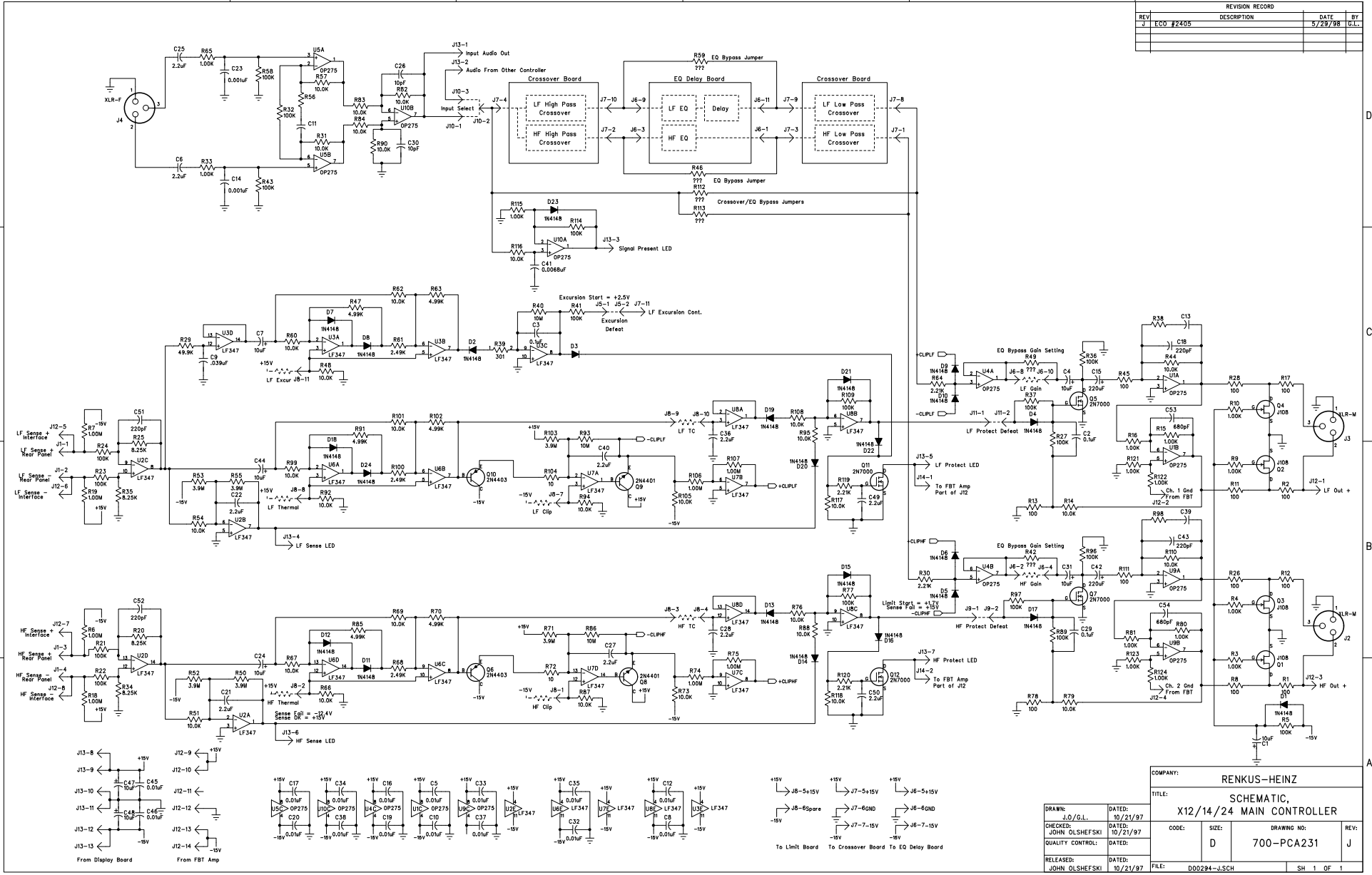
4

3

2

1

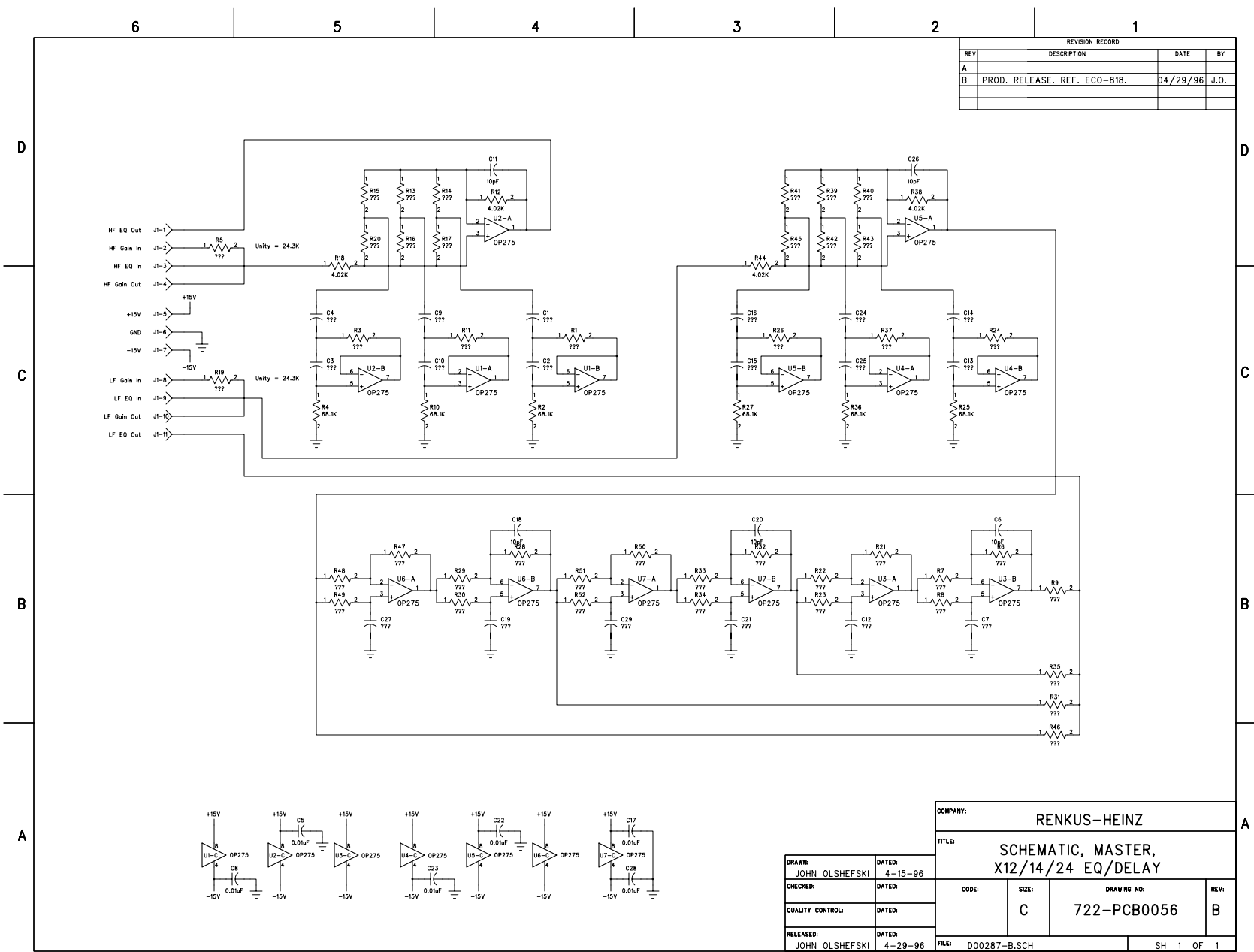
REVISION RECORD			
REV	DESCRIPTION	DATE	BY
1	ECC #2405	5/29/98	G.L.



COMPANY:		RENKUS-HEINZ	
TITLE:			
SCHEMATIC,			
X12/14/24 MAIN CONTROLLER			
DRAWN:	J.O./G.L.	DATE:	10/21/97
CHECKED:	JOHN OLSHEFSKI	DATE:	10/21/97
QUALITY CONTROL:		DATE:	
RELEASED:	JOHN OLSHEFSKI	DATE:	10/21/97
FAB:		D00294-J.SCH	
SIZE:		DRAWING NO: 700-PCA231	
CODE:		REV: J	
D:		SH 1 OF 1	

+15V → J8-5+15V    +15V → J7-5+15V    +15V → J6-5+15V  
 -15V → J8-5spare    -15V → J7-6GND    -15V → J6-6GND  
 -15V → J7-7-15V    -15V → J6-7-15V  
 -15V → J8-6GND    -15V → J7-8GND  
 -15V → J6-8GND

To Limit Board    To Crossover Board To EQ Delay Board



REVISION RECORD			
REV	DESCRIPTION	DATE	BY
A			
B	PROD. RELEASE. REF. ECO-818.	04/29/96	J.O.

COMPANY: RENKUS-HEINZ			
TITLE: SCHEMATIC, MASTER, X12/14/24 EQ/DELAY			
DRAWN: JOHN OLSHEFSKI	DATED: 4-15-96	CODE:	SIZE: C
CHECKED:	DATED:	DRAWING NO: 722-PCB0056	REV: B
QUALITY CONTROL:	DATED:	FILE: D00287-B.SCH	SH 1 OF 1
RELEASED: JOHN OLSHEFSKI	DATED: 4-29-96		

6

5

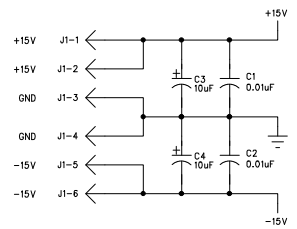
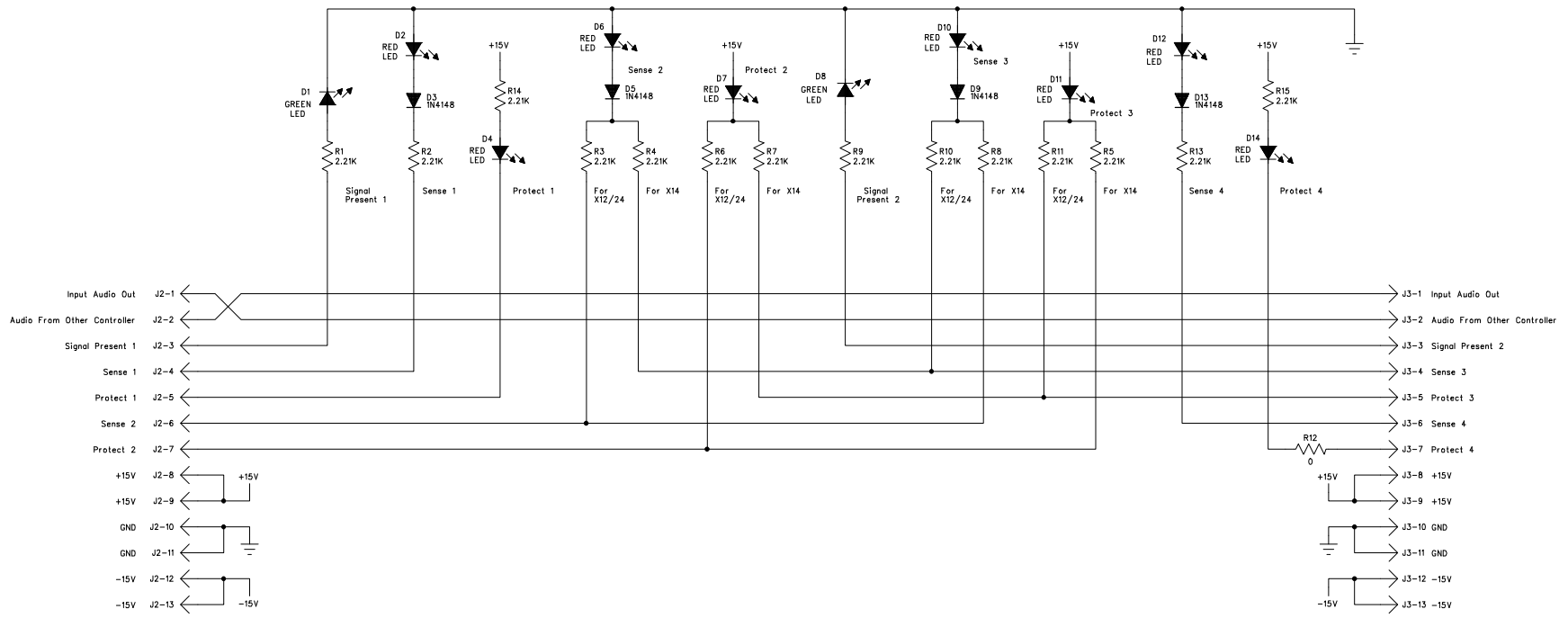
4

3

2

1

REVISION RECORD			
REV	DESCRIPTION	DATE	BY
B	PRODUCTION RELEASE. REF: ECO-822.	05/15/96	T.F.



COMPANY:		<b>RENKUS-HEINZ</b>	
TITLE:		SCHEMATIC, X12/14/24 DISPLAY	
DRAWN: JOHN OLSHEFSKI	DATED:	SIZE: C	DRAWING NO: 700-PCA236 & 700-PCA237
CHECKED:	DATED:	REV: B	
QUALITY CONTROL:	DATED:	FILE: D00299-B.SCH	SH 1 OF 1
RELEASED:	DATED:		

6

5

4

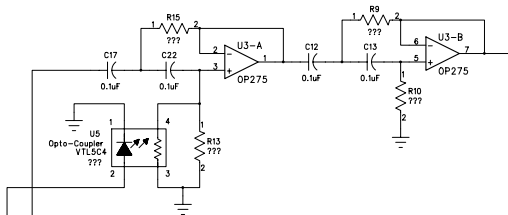
3

2

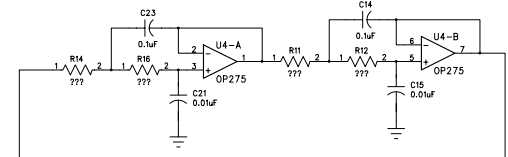
1

REVISION RECORD			
REV	DESCRIPTION	DATE	BY
A			
B	PRODUCTION RELEASE. REF. ECO-819.	04/29/96	J.O.

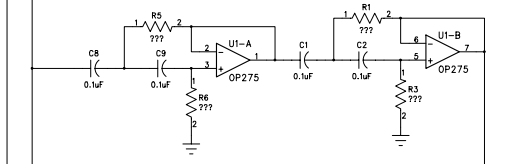
**Low Band High Pass**  
fo = \_\_\_\_\_



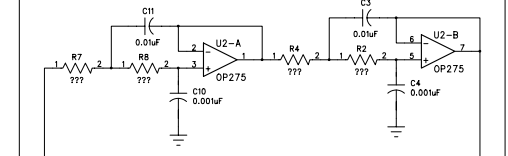
**Low Band Low Pass**  
fo = \_\_\_\_\_



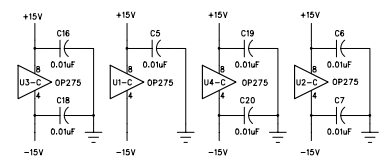
**High Band High Pass**  
fo = \_\_\_\_\_



**High Band Low Pass**  
fo = \_\_\_\_\_



- High Band LP Out J1-1
- High Band HP Out J1-2
- High Band LP In J1-3
- High/Low Band HP In J1-4
- +15V J1-5
- GND J1-6
- 15V J1-7
- Low Band LP Out J1-8
- Low Band LP In J1-9
- Low Band HP Out J1-10
- LF Excursion Cont. J1-11



COMPANY: <b>RENKUS-HEINZ</b>			
TITLE: <b>SCHEMATIC, MASTER, X12/14/24 CROSSOVER</b>			
DRAWN: JOHN OLSHEFSKI	DATED: 4-15-96	CODE:	REV: <b>B</b>
CHECKED:	DATED:	SIZE: <b>C</b>	DRAWING NO: <b>722-PCB0057</b>
QUALITY CONTROL:	DATED:	FILE: D00288-B.SCH	
RELEASED: JOHN OLSHEFSKI	DATED: 4-29-96	SH 1 OF 1	



6

5

4

3

2

1

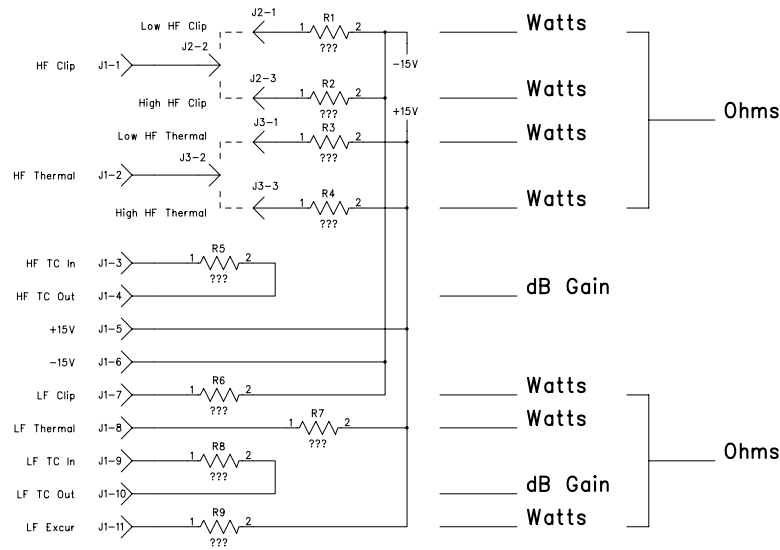
D

C

B

A

REVISION RECORD			
REV	DESCRIPTION	DATE	BY
A			
B	PRODUCTION RELEASE. REF: ECO-816.	04/30/96	T.F.



COMPANY:				RENKUS-HEINZ			
TITLE:				SCHEMATIC, MASTER, X12/14/24 LIMIT BOARD			
DRAWN:		DATED:		CODE:		DRAWING NO:	
JOHN OLSHEFSKI		4-15-96		B		722-PCB0055	
CHECKED:		DATED:		REV:		B	
QUALITY CONTROL:		DATED:		FILE:		SH 1 OF 1	
RELEASED:		DATED:		D00286-B.SCH			
JOHN OLSHEFSKI		4-30-96					