

COMPANY:				RENKUS-HEINZ				
TITLE:				SCHEMATIC, MASTER, X12/14/24 EQ/DELAY				
DRAWN:	JOHN OLSHEFSKI	DATED:	4-15-96	CODE:		SIZE:	C	
CHECKED:		DATED:		DRAWING NO:	722-PCB0056		REV:	B
QUALITY CONTROL:		DATED:		FILE:	D00287-B.SCH		SH 1 OF 1	
RELEASED:	JOHN OLSHEFSKI	DATED:	4-29-96					

6

5

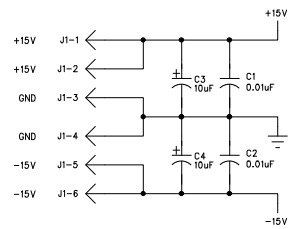
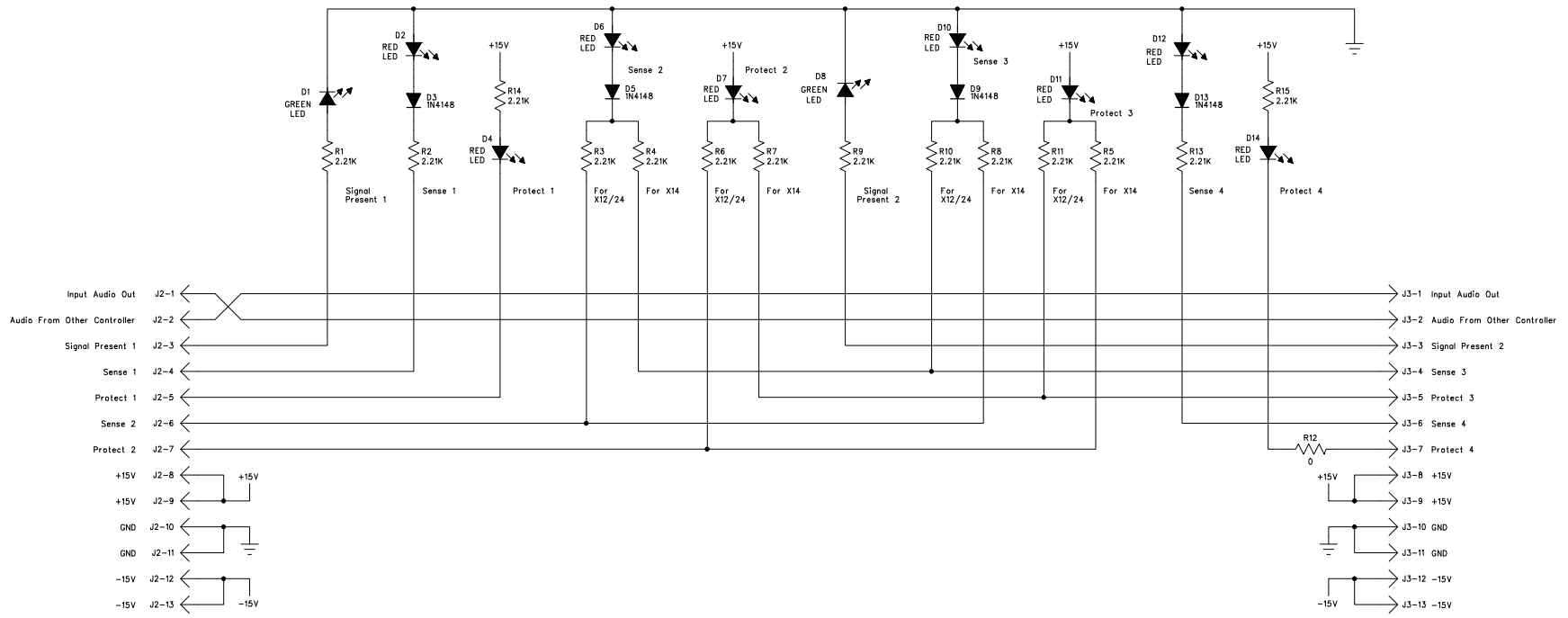
4

3

2

1

REVISION RECORD			
REV	DESCRIPTION	DATE	BY
B	PRODUCTION RELEASE. REF: ECO-822.	05/15/96	T.F.



COMPANY:		RENKUS-HEINZ	
TITLE:		SCHEMATIC, X12/14/24 DISPLAY	
DRAWN: JOHN OLSHEFSKI	DATED:	SIZE: C	DRAWING NO: 700-PCA236 & 700-PCA237
CHECKED:	DATED:	REV: B	
QUALITY CONTROL:	DATED:		
RELEASED:	DATED:	FILE: D00299-B.SCH	SH 1 OF 1

6

5

4

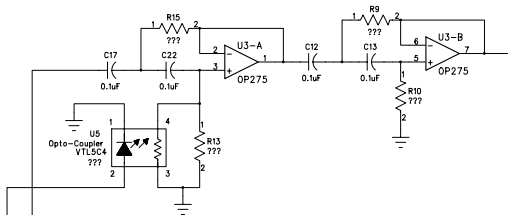
3

2

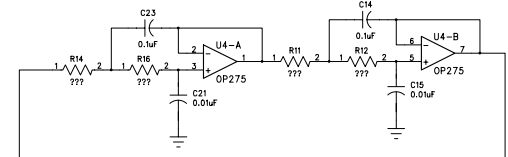
1

REVISION RECORD			
REV	DESCRIPTION	DATE	BY
A			
B	PRODUCTION RELEASE. REF. ECO-819.	04/29/96	J.O.

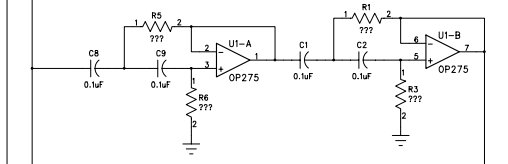
Low Band High Pass
 $f_o = \frac{1}{2\pi RC}$



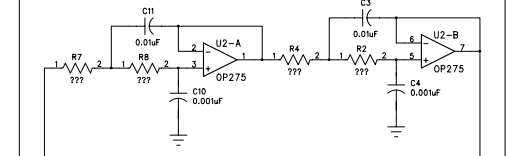
Low Band Low Pass
 $f_o = \frac{1}{2\pi RC}$



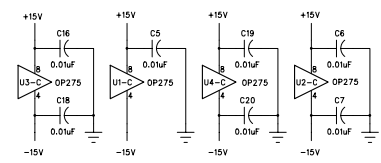
High Band High Pass
 $f_o = \frac{1}{2\pi RC}$



High Band Low Pass
 $f_o = \frac{1}{2\pi RC}$



- High Band LP Out J1-1
- High Band HP Out J1-2
- High Band LP In J1-3
- High/Low Band HP In J1-4
- +15V J1-5
- GND J1-6
- 15V J1-7
- Low Band LP Out J1-8
- Low Band LP In J1-9
- Low Band HP Out J1-10
- LF Excursion Cont. J1-11



COMPANY: RENKUS-HEINZ			
TITLE: SCHEMATIC, MASTER, X12/14/24 CROSSOVER			
DRAWN: JOHN OLSHEFSKI	DATED: 4-15-96	CODE:	REV: B
CHECKED:	DATED:	SIZE: C	DRAWING NO: 722-PCB0057
QUALITY CONTROL:	DATED:	FILE: D00288-B.SCH	
RELEASED: JOHN OLSHEFSKI	DATED: 4-29-96	SH 1 OF 1	

6

5

4

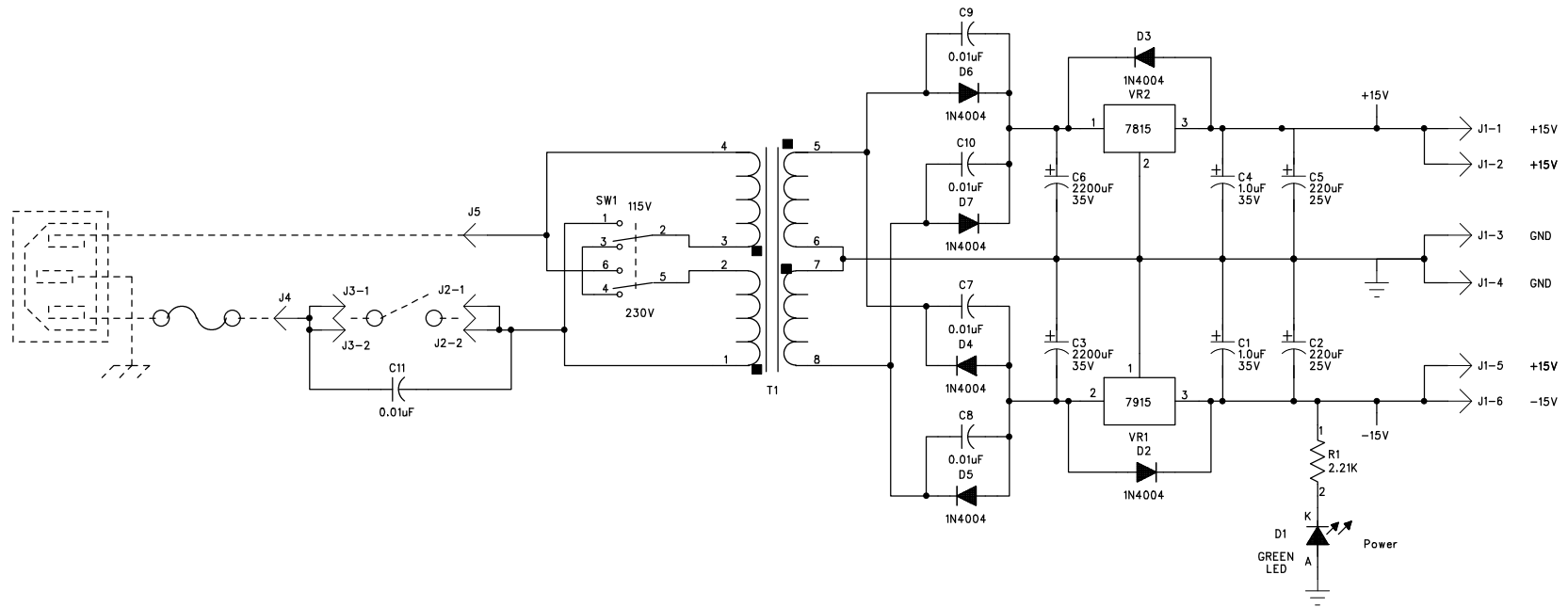
3

2

1

REVISION RECORD

REV	DESCRIPTION	DATE	BY
A			
B	PRODUCTION RELEASE. REF. ECO-822.	05/14/96	T.F.
C	SEE ECO 2450 FOR CHANGES	7/2/98	G.L.



COMPANY:

RENKUS-HEINZ

TITLE:

SCHEMATIC, X12/14/24,
POWER SUPPLY BOARD

DRAWN: JOHN OLSHEFSKI	DATED: 4/96
CHECKED:	DATED:
Q.C.:	DATED:
RELEASED:	DATED:

CODE:	SIZE: B	DRAWING NO: 700-PCA233	REV: C
FILE: D00296-C.SCH	SH 1 OF 1		

6

5

4

3

2

1

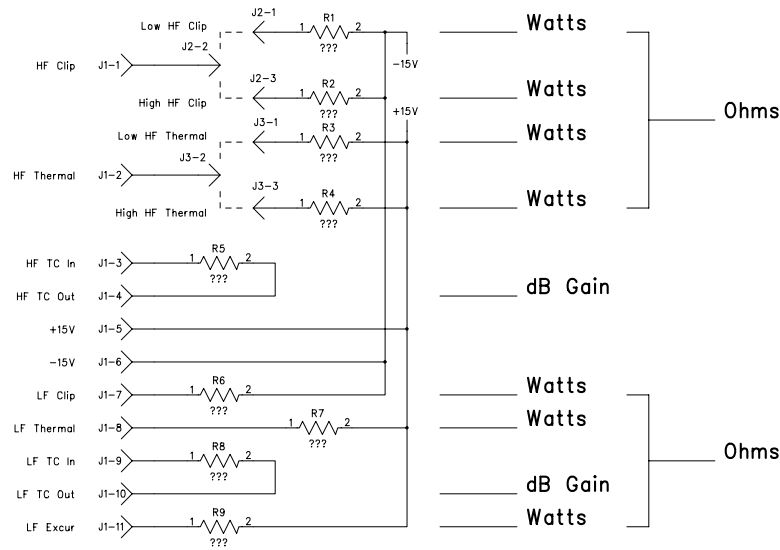
D

C

B

A

REVISION RECORD			
REV	DESCRIPTION	DATE	BY
A			
B	PRODUCTION RELEASE. REF: ECO-816.	04/30/96	T.F.



COMPANY:				RENKUS-HEINZ			
TITLE:				SCHEMATIC, MASTER, X12/14/24 LIMIT BOARD			
CODE:		SIZE:		DRAWING NO:		REV:	
		B		722-PCB0055		B	
FILE:		D00286-B.SCH		SH 1 OF 1			

DRAWN:	DATED:
JOHN OLSHEFSKI	4-15-96
CHECKED:	DATED:
QUALITY CONTROL:	DATED:
RELEASED:	DATED:
JOHN OLSHEFSKI	4-30-96