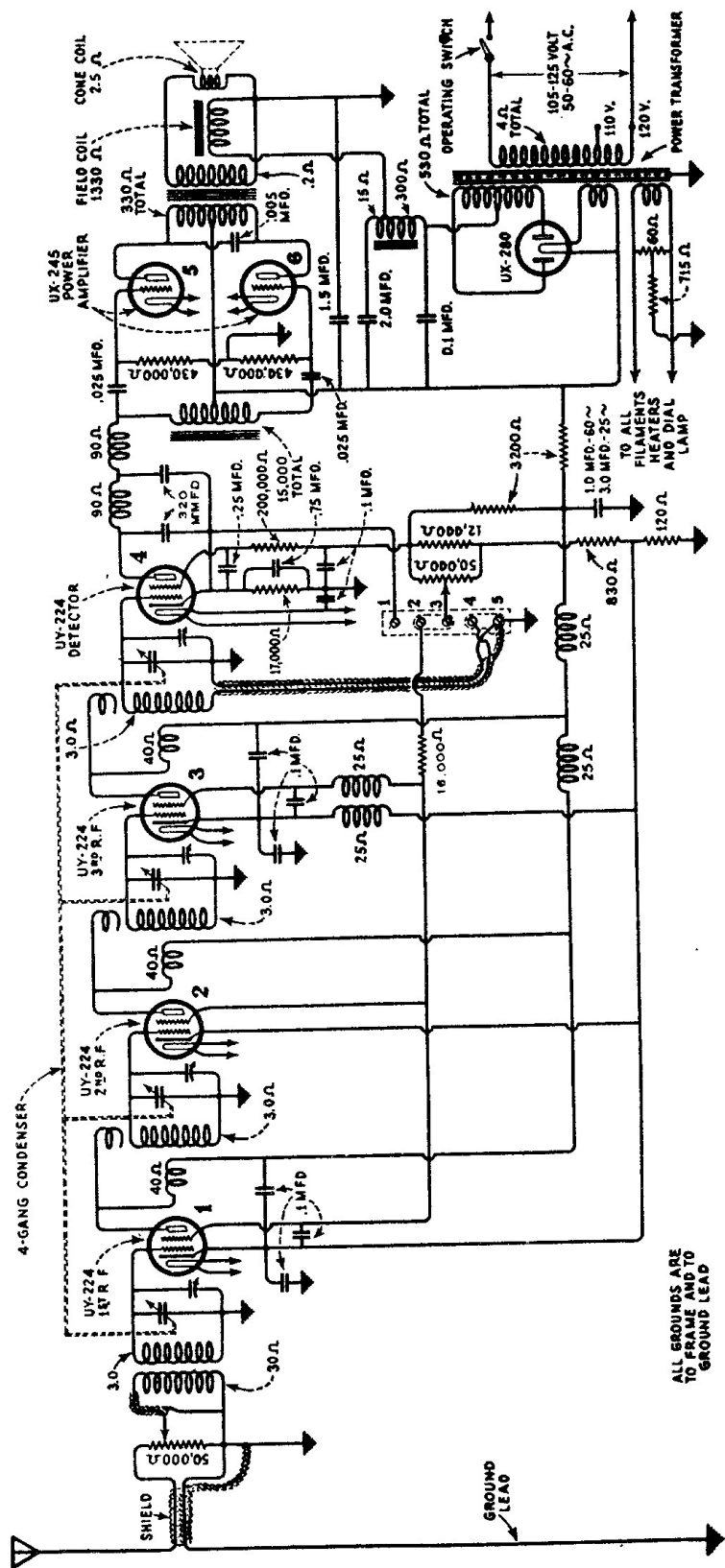
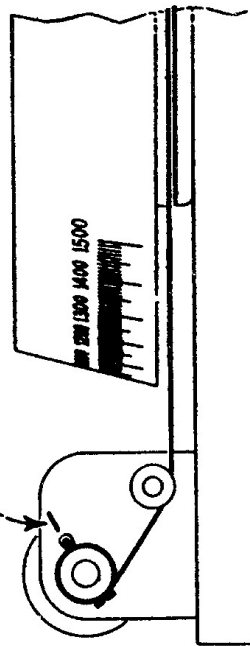


# RCA RADIOLA 48

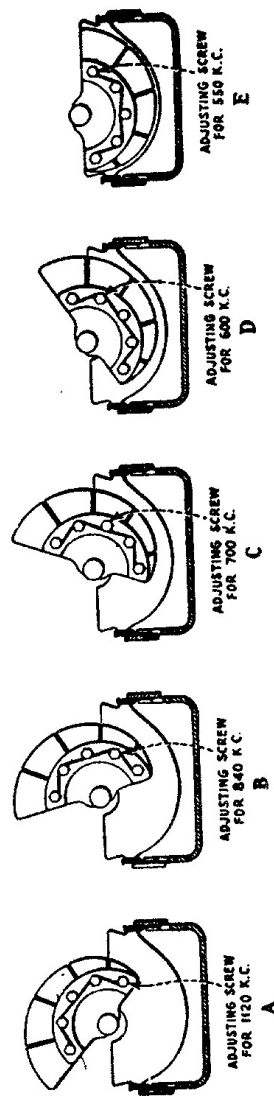


ALL GROUNDS ARE TO FRAME AND TO GROUND LEAD

PENCIL MARK ON FRAME



View showing method of checking position of dial.



Gang condenser adjustment positions.