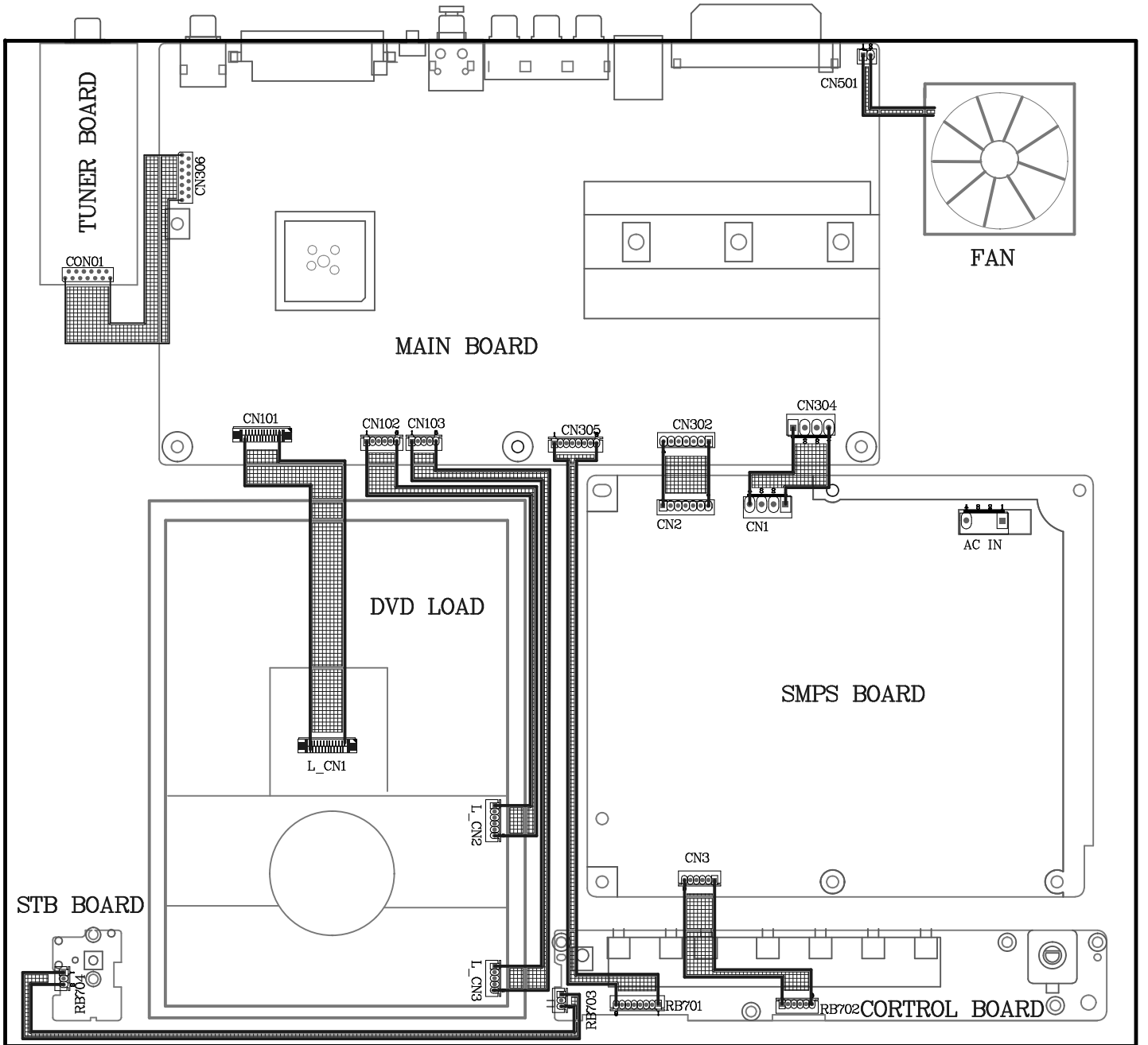


# RTD164 Wiring Diagram



Symbol	Stock	Description	Circuit	Model	TypeCode	Drawing	Notes
01	266617	LOADER BASE	DVD ASSEMBLY	RTD164		BPB206008-0001	
02	266626	LOADER TRAY	DVD ASSEMBLY	RTD164		BPM206004-0001	
03	266627	FRAME	DVD ASSEMBLY	RTD164		BPH206013-0001	
04	266628	CAM	DVD ASSEMBLY	RTD164		BPH206012-0001	
05	266629	TRAVERSE	DVD ASSEMBLY	RTD164		WVD500006-0001	
06	266630	FRONT DAMPER	DVD ASSEMBLY	RTD164		DUF203601-0001	
07	266631	REAR DAMPER	DVD ASSEMBLY	RTD164		DUF203600-0001	
08	266632	GEAR-G	DVD ASSEMBLY	RTD164		BPG206006-0001	
09	266633	TRAY MOTOR	DVD ASSEMBLY	RTD164		FMT020201-0001	
10	266634	CLAMPER TOP	DVD ASSEMBLY	RTD164		GSE206004-0001	
11	266635	MAGNET	DVD ASSEMBLY	RTD164		GMA260000-0001	
12	266622	CLAMPER DOWN	DVD ASSEMBLY	RTD164		BPG206015-0001	
13	266609	GEAR PULLEY	DVD ASSEMBLY	RTD164		BPG206014-0001	
14	266610	GEAR-TRAY	DVD ASSEMBLY	RTD164		BPG206013-0001	
15	266611	LIMIT SWITCH	DVD ASSEMBLY	RTD164		MSW007001-0020	
16	266612	CONNECTOR	DVD ASSEMBLY	RTD164		CCN200000-0505	
17	266613	SWITCH PCB	DVD ASSEMBLY	RTD164		LVC260100-0001	
18	266614	BELT	DVD ASSEMBLY	RTD164		BRW206003-0001	
20	266615	SCREW FOR GEAR PULLEY	DVD ASSEMBLY	RTD164		HSW248004-1060	
21	266616	SCREW FOR PCB	DVD ASSEMBLY	RTD164		HSP258004-1050	
22	266618	SCREW FOR FRONT DAMPER	DVD ASSEMBLY	RTD164		HSD248004-1111	
23	266619	SCREW FOR REAR DAMPER	DVD ASSEMBLY	RTD164		HSW250301-1080	
24	266620	SCREW FOR TRAY MOTOR	DVD ASSEMBLY	RTD164		HSP243174-1042	
AC CORD	266717	LINE CORD 2P 2150MM POLARIZ	INSTRUMENT	RTD164	S	VPA1K4252-0010	
ANTENNA	264551	FM ANT 1500MM	INSTRUMENT	RTD164		VTA400003-0030	
BEAD	266703	BEAD FERIT OD19.5XID9.5XH31+4M	INSTRUMENT	RTD164		SFB002001-0040	
BEAD	266702	BEAD FERIT OD25XID15XH10MM	INSTRUMENT	RTD164		SFB001001-0200	
C101	264419	CAP ELECT 100UF 16V 20% 85C	MAIN CBA	RTD164		PRE039540-1010	
C102	264419	CAP ELECT 100UF 16V 20% 85C	MAIN CBA	RTD164		PRE039540-1010	
C103	264419	CAP ELECT 100UF 16V 20% 85C	MAIN CBA	RTD164		PRE039540-1010	
C104	264419	CAP ELECT 100UF 16V 20% 85C	MAIN CBA	RTD164		PRE039540-1010	
C105	264442	CHIP CAP 0.1 UF 50V 10%	MAIN CBA	RTD164		PXL456470-1040	
C106	264442	CHIP CAP 0.1 UF 50V 10%	MAIN CBA	RTD164		PXL456470-1040	
C107	264442	CHIP CAP 0.1 UF 50V 10%	MAIN CBA	RTD164		PXL456470-1040	
C108	264442	CHIP CAP 0.1 UF 50V 10%	MAIN CBA	RTD164		PXL456470-1040	
C109	264442	CHIP CAP 0.1 UF 50V 10%	MAIN CBA	RTD164		PXL456470-1040	
C110	264442	CHIP CAP 0.1 UF 50V 10%	MAIN CBA	RTD164		PXL456470-1040	
C111	264442	CHIP CAP 0.1 UF 50V 10%	MAIN CBA	RTD164		PXL456470-1040	
C112	264442	CHIP CAP 0.1 UF 50V 10%	MAIN CBA	RTD164		PXL456470-1040	
C113	266647	CAP 820 PF 50V 5%	MAIN CBA	RTD164		PXL410370-8210	
C114	264442	CHIP CAP 0.1 UF 50V 10%	MAIN CBA	RTD164		PXL456470-1040	
C115	264442	CHIP CAP 0.1 UF 50V 10%	MAIN CBA	RTD164		PXL456470-1040	
C116	264442	CHIP CAP 0.1 UF 50V 10%	MAIN CBA	RTD164		PXL456470-1040	
C117	264442	CHIP CAP 0.1 UF 50V 10%	MAIN CBA	RTD164		PXL456470-1040	
C118	264442	CHIP CAP 0.1 UF 50V 10%	MAIN CBA	RTD164		PXL456470-1040	
C119	264442	CHIP CAP 0.1 UF 50V 10%	MAIN CBA	RTD164		PXL456470-1040	
C120	264442	CHIP CAP 0.1 UF 50V 10%	MAIN CBA	RTD164		PXL456470-1040	
C121	264442	CHIP CAP 0.1 UF 50V 10%	MAIN CBA	RTD164		PXL456470-1040	
C122	264442	CHIP CAP 0.1 UF 50V 10%	MAIN CBA	RTD164		PXL456470-1040	
C123	264442	CHIP CAP 0.1 UF 50V 10%	MAIN CBA	RTD164		PXL456470-1040	
C124	264442	CHIP CAP 0.1 UF 50V 10%	MAIN CBA	RTD164		PXL456470-1040	
C125	264442	CHIP CAP 0.1 UF 50V 10%	MAIN CBA	RTD164		PXL456470-1040	
C126	264442	CHIP CAP 0.1 UF 50V 10%	MAIN CBA	RTD164		PXL456470-1040	
C127	266648	CAP 0.0047UF 50V 10%	MAIN CBA	RTD164		PXL456470-4720	
C128	264442	CHIP CAP 0.1 UF 50V 10%	MAIN CBA	RTD164		PXL456470-1040	
C129	264442	CHIP CAP 0.1 UF 50V 10%	MAIN CBA	RTD164		PXL456470-1040	
C130	264442	CHIP CAP 0.1 UF 50V 10%	MAIN CBA	RTD164		PXL456470-1040	
C131	264442	CHIP CAP 0.1 UF 50V 10%	MAIN CBA	RTD164		PXL456470-1040	
C132	264442	CHIP CAP 0.1 UF 50V 10%	MAIN CBA	RTD164		PXL456470-1040	
C133	264442	CHIP CAP 0.1 UF 50V 10%	MAIN CBA	RTD164		PXL456470-1040	
C134	264442	CHIP CAP 0.1 UF 50V 10%	MAIN CBA	RTD164		PXL456470-1040	
C136	264442	CHIP CAP 0.1 UF 50V 10%	MAIN CBA	RTD164		PXL456470-1040	
C137	264442	CHIP CAP 0.1 UF 50V 10%	MAIN CBA	RTD164		PXL456470-1040	
C138	264442	CHIP CAP 0.1 UF 50V 10%	MAIN CBA	RTD164		PXL456470-1040	
C139	264442	CHIP CAP 0.1 UF 50V 10%	MAIN CBA	RTD164		PXL456470-1040	
C140	266709	CAP 680 PF 50V 5%	MAIN CBA	RTD164		PXL410370-6810	
C141	266709	CAP 680 PF 50V 5%	MAIN CBA	RTD164		PXL410370-6810	
C142	266709	CAP 680 PF 50V 5%	MAIN CBA	RTD164		PXL410370-6810	
C143	266709	CAP 680 PF 50V 5%	MAIN CBA	RTD164		PXL410370-6810	
C144	264323	CHIP CAP 100 PF 50V 5% NPO	MAIN CBA	RTD164		PXL410370-1010	
C145	264324	CHIP CAP 1000 PF 50V 5% NPO	MAIN CBA	RTD164		PXL410370-1020	
C146	264324	CHIP CAP 1000 PF 50V 5% NPO	MAIN CBA	RTD164		PXL410370-1020	
C147	264324	CHIP CAP 1000 PF 50V 5% NPO	MAIN CBA	RTD164		PXL410370-1020	
C148	264324	CHIP CAP 1000 PF 50V 5% NPO	MAIN CBA	RTD164		PXL410370-1020	
C149	264324	CHIP CAP 1000 PF 50V 5% NPO	MAIN CBA	RTD164		PXL410370-1020	
C150	264324	CHIP CAP 1000 PF 50V 5% NPO	MAIN CBA	RTD164		PXL410370-1020	
C151	264419	CAP ELECT 100UF 16V 20% 85C	MAIN CBA	RTD164		PRE039540-1010	
C152	264331	CHIP CAP 470 PF 50V 5% NPO	MAIN CBA	RTD164		PXL410370-4710	
C153	264331	CHIP CAP 470 PF 50V 5% NPO	MAIN CBA	RTD164		PXL410370-4710	
C154	266710	SMD CAP 0.22UF 50V 10%	MAIN CBA	RTD164		PXL456470-2240	

Symbol	Stock	Description	Circuit	Model	TypeCode	Drawing	Notes
C155	264327	CHIP CAP 150PF 50V 5% NPO	MAIN CBA	RTD164		PXL410370-1510	
C156	264441	CHIP CAP 0.01 UF 50V 10%	MAIN CBA	RTD164		PXL456470-1030	
C157	266624	D ELECT 10UF 16V 20%	MAIN CBA	RTD164		PRE039540-1000	
C160	266624	D ELECT 10UF 16V 20%	MAIN CBA	RTD164		PRE039540-1000	
C161	266624	D ELECT 10UF 16V 20%	MAIN CBA	RTD164		PRE039540-1000	
C162	266624	D ELECT 10UF 16V 20%	MAIN CBA	RTD164		PRE039540-1000	
C163	266624	D ELECT 10UF 16V 20%	MAIN CBA	RTD164		PRE039540-1000	
C164	264442	CHIP CAP 0.1 UF 50V 10%	MAIN CBA	RTD164		PXL456470-1040	
C165	264441	CHIP CAP 0.01 UF 50V 10%	MAIN CBA	RTD164		PXL456470-1030	
C166	266664	CAP 0.0068 UF 50V 10%	MAIN CBA	RTD164		PXL456470-6820	
C167	264320	CHIP CAP 33 PF 50V 5% NPO	MAIN CBA	RTD164		PXL410370-3300	
C168	264320	CHIP CAP 33 PF 50V 5% NPO	MAIN CBA	RTD164		PXL410370-3300	
C169	264320	CHIP CAP 33 PF 50V 5% NPO	MAIN CBA	RTD164		PXL410370-3300	
C170	266682	CAP 0.047 UF 16V 5%	MAIN CBA	RTD164		PXL456340-4730	
C171	266683	SMD CAP 0.033 UF 50V 10%	MAIN CBA	RTD164		PXL456470-3330	
C174	266682	CAP 0.047 UF 16V 5%	MAIN CBA	RTD164		PXL456340-4730	
C175	264334	CHIP CAP 560 PF 50V 5% NPO	MAIN CBA	RTD164		PXL410370-5610	
C176	264331	CHIP CAP 470 PF 50V 5% NPO	MAIN CBA	RTD164		PXL410370-4710	
C177	264331	CHIP CAP 470 PF 50V 5% NPO	MAIN CBA	RTD164		PXL410370-4710	
C178	264321	CHIP CAP 47 PF 50V 5% NPO	MAIN CBA	RTD164		PXL410370-4700	
C179	266684	SMD CAP 1UF 50V 20%	MAIN CBA	RTD164		PXL439570-1050	
C180	266684	SMD CAP 1UF 50V 20%	MAIN CBA	RTD164		PXL439570-1050	
C181	266684	SMD CAP 1UF 50V 20%	MAIN CBA	RTD164		PXL439570-1050	
C182	264381	CHIP CAP 0.015 UF 50V 10%	MAIN CBA	RTD164		PXL456470-1530	
C183	264441	CHIP CAP 0.01 UF 50V 10%	MAIN CBA	RTD164		PXL456470-1030	
C184	266648	CAP 0.0047UF 50V 10%	MAIN CBA	RTD164		PXL456470-4720	
C185	266648	CAP 0.0047UF 50V 10%	MAIN CBA	RTD164		PXL456470-4720	
C186	266663	ELECT 4.7UF 16 V 20%	MAIN CBA	RTD164		PRE039540-4790	
C187	266664	CAP 0.0068 UF 50V 10%	MAIN CBA	RTD164		PXL456470-6820	
C188	266665	CAP 27PF 50V 5%	MAIN CBA	RTD164		PXL410370-2700	
C189	266665	CAP 27PF 50V 5%	MAIN CBA	RTD164		PXL410370-2700	
C191	264318	CHIP CAP 22 PF 50V 5%	MAIN CBA	RTD164		PXL410370-2200	
C192	264318	CHIP CAP 22 PF 50V 5%	MAIN CBA	RTD164		PXL410370-2200	
C193	264318	CHIP CAP 22 PF 50V 5%	MAIN CBA	RTD164		PXL410370-2200	
C194	264331	CHIP CAP 470 PF 50V 5% NPO	MAIN CBA	RTD164		PXL410370-4710	
C195	264331	CHIP CAP 470 PF 50V 5% NPO	MAIN CBA	RTD164		PXL410370-4710	
C196	264331	CHIP CAP 470 PF 50V 5% NPO	MAIN CBA	RTD164		PXL410370-4710	
C197	264331	CHIP CAP 470 PF 50V 5% NPO	MAIN CBA	RTD164		PXL410370-4710	
C198	264331	CHIP CAP 470 PF 50V 5% NPO	MAIN CBA	RTD164		PXL410370-4710	
C199	264331	CHIP CAP 470 PF 50V 5% NPO	MAIN CBA	RTD164		PXL410370-4710	
C200	264327	CHIP CAP 150PF 50V 5% NPO	MAIN CBA	RTD164		PXL410370-1510	
C201	264327	CHIP CAP 150PF 50V 5% NPO	MAIN CBA	RTD164		PXL410370-1510	
C202	264331	CHIP CAP 470 PF 50V 5% NPO	MAIN CBA	RTD164		PXL410370-4710	
C203	264331	CHIP CAP 470 PF 50V 5% NPO	MAIN CBA	RTD164		PXL410370-4710	
C214	264321	CHIP CAP 47 PF 50V 5% NPO	MAIN CBA	RTD164		PXL410370-4700	
C215	264321	CHIP CAP 47 PF 50V 5% NPO	MAIN CBA	RTD164		PXL410370-4700	
C216	264321	CHIP CAP 47 PF 50V 5% NPO	MAIN CBA	RTD164		PXL410370-4700	
C217	264324	CHIP CAP 1000 PF 50V 5% NPO	MAIN CBA	RTD164		PXL410370-1020	
C218	264442	CHIP CAP 0.1 UF 50V 10%	MAIN CBA	RTD164		PXL456470-1040	
C219	264442	CHIP CAP 0.1 UF 50V 10%	MAIN CBA	RTD164		PXL456470-1040	
C220	264442	CHIP CAP 0.1 UF 50V 10%	MAIN CBA	RTD164		PXL456470-1040	
C221	264442	CHIP CAP 0.1 UF 50V 10%	MAIN CBA	RTD164		PXL456470-1040	
C222	264442	CHIP CAP 0.1 UF 50V 10%	MAIN CBA	RTD164		PXL456470-1040	
C223	264442	CHIP CAP 0.1 UF 50V 10%	MAIN CBA	RTD164		PXL456470-1040	
C224	264442	CHIP CAP 0.1 UF 50V 10%	MAIN CBA	RTD164		PXL456470-1040	
C225	264442	CHIP CAP 0.1 UF 50V 10%	MAIN CBA	RTD164		PXL456470-1040	
C226	264442	CHIP CAP 0.1 UF 50V 10%	MAIN CBA	RTD164		PXL456470-1040	
C227	264442	CHIP CAP 0.1 UF 50V 10%	MAIN CBA	RTD164		PXL456470-1040	
C228	264442	CHIP CAP 0.1 UF 50V 10%	MAIN CBA	RTD164		PXL456470-1040	
C229	264442	CHIP CAP 0.1 UF 50V 10%	MAIN CBA	RTD164		PXL456470-1040	
C230	264442	CHIP CAP 0.1 UF 50V 10%	MAIN CBA	RTD164		PXL456470-1040	
C231	264442	CHIP CAP 0.1 UF 50V 10%	MAIN CBA	RTD164		PXL456470-1040	
C232	264442	CHIP CAP 0.1 UF 50V 10%	MAIN CBA	RTD164		PXL456470-1040	
C233	264442	CHIP CAP 0.1 UF 50V 10%	MAIN CBA	RTD164		PXL456470-1040	
C234	264442	CHIP CAP 0.1 UF 50V 10%	MAIN CBA	RTD164		PXL456470-1040	
C235	264442	CHIP CAP 0.1 UF 50V 10%	MAIN CBA	RTD164		PXL456470-1040	
C236	264442	CHIP CAP 0.1 UF 50V 10%	MAIN CBA	RTD164		PXL456470-1040	
C237	264442	CHIP CAP 0.1 UF 50V 10%	MAIN CBA	RTD164		PXL456470-1040	
C238	264442	CHIP CAP 0.1 UF 50V 10%	MAIN CBA	RTD164		PXL456470-1040	
C239	264442	CHIP CAP 0.1 UF 50V 10%	MAIN CBA	RTD164		PXL456470-1040	
C240	264442	CHIP CAP 0.1 UF 50V 10%	MAIN CBA	RTD164		PXL456470-1040	
C241	264442	CHIP CAP 0.1 UF 50V 10%	MAIN CBA	RTD164		PXL456470-1040	
C252	264375	CHIP CAP 5PF 50V 5%	MAIN CBA	RTD164		PXL4103705090	
C253	264442	CHIP CAP 0.1 UF 50V 10%	MAIN CBA	RTD164		PXL456470-1040	
C254	264442	CHIP CAP 0.1 UF 50V 10%	MAIN CBA	RTD164		PXL456470-1040	
C255	264442	CHIP CAP 0.1 UF 50V 10%	MAIN CBA	RTD164		PXL456470-1040	
C301	264419	CAP ELECT 100UF 16V 20% 85C	MAIN CBA	RTD164		PRE039540-1010	
C302	264419	CAP ELECT 100UF 16V 20% 85C	MAIN CBA	RTD164		PRE039540-1010	
C310	266624	D ELECT 10UF 16V 20%	MAIN CBA	RTD164		PRE039540-1000	
C311	266624	D ELECT 10UF 16V 20%	MAIN CBA	RTD164		PRE039540-1000	



Symbol	Stock	Description	Circuit	Model	TypeCode	Drawing	Notes
C467	264442	CHIP CAP 0.1 UF 50V 10%	MAIN CBA	RTD164		PXL456470-1040	
C468	264442	CHIP CAP 0.1 UF 50V 10%	MAIN CBA	RTD164		PXL456470-1040	
C469	264442	CHIP CAP 0.1 UF 50V 10%	MAIN CBA	RTD164		PXL456470-1040	
C470	264442	CHIP CAP 0.1 UF 50V 10%	MAIN CBA	RTD164		PXL456470-1040	
C471	264442	CHIP CAP 0.1 UF 50V 10%	MAIN CBA	RTD164		PXL456470-1040	
C472	264442	CHIP CAP 0.1 UF 50V 10%	MAIN CBA	RTD164		PXL456470-1040	
C473	264442	CHIP CAP 0.1 UF 50V 10%	MAIN CBA	RTD164		PXL456470-1040	
C474	264442	CHIP CAP 0.1 UF 50V 10%	MAIN CBA	RTD164		PXL456470-1040	
C475	264442	CHIP CAP 0.1 UF 50V 10%	MAIN CBA	RTD164		PXL456470-1040	
C476	264442	CHIP CAP 0.1 UF 50V 10%	MAIN CBA	RTD164		PXL456470-1040	
C478	264442	CHIP CAP 0.1 UF 50V 10%	MAIN CBA	RTD164		PXL456470-1040	
C479	264442	CHIP CAP 0.1 UF 50V 10%	MAIN CBA	RTD164		PXL456470-1040	
C480	264442	CHIP CAP 0.1 UF 50V 10%	MAIN CBA	RTD164		PXL456470-1040	
C481	264442	CHIP CAP 0.1 UF 50V 10%	MAIN CBA	RTD164		PXL456470-1040	
C502	264442	CHIP CAP 0.1 UF 50V 10%	MAIN CBA	RTD164		PXL456470-1040	
C504	264442	CHIP CAP 0.1 UF 50V 10%	MAIN CBA	RTD164		PXL456470-1040	
C505	264376	CHIP CAP 15 PF 50V 5%	MAIN CBA	RTD164		PXL410370-1500	
C506	264442	CHIP CAP 0.1 UF 50V 10%	MAIN CBA	RTD164		PXL456470-1040	
C508	264442	CHIP CAP 0.1 UF 50V 10%	MAIN CBA	RTD164		PXL456470-1040	
C510	264442	CHIP CAP 0.1 UF 50V 10%	MAIN CBA	RTD164		PXL456470-1040	
C512	264442	CHIP CAP 0.1 UF 50V 10%	MAIN CBA	RTD164		PXL456470-1040	
C513	264442	CHIP CAP 0.1 UF 50V 10%	MAIN CBA	RTD164		PXL456470-1040	
C515	264442	CHIP CAP 0.1 UF 50V 10%	MAIN CBA	RTD164		PXL456470-1040	
C516	264442	CHIP CAP 0.1 UF 50V 10%	MAIN CBA	RTD164		PXL456470-1040	
C517	264442	CHIP CAP 0.1 UF 50V 10%	MAIN CBA	RTD164		PXL456470-1040	
C518	264324	CHIP CAP 1000 PF 50V 5% NPO	MAIN CBA	RTD164		PXL410370-1020	
C519	264324	CHIP CAP 1000 PF 50V 5% NPO	MAIN CBA	RTD164		PXL410370-1020	
C520	264329	CHIP CAP 220 PF 50V 5% NPO	MAIN CBA	RTD164		PXL410370-2210	
C521	264335	CHIP CAP 0.0012 UF 50V 10%	MAIN CBA	RTD164		PXL456470-1220	
C522	266624	D ELECT 10UF 16V 20%	MAIN CBA	RTD164		PRE039540-1000	
C524	264417	CAP ELECT 22UF 16V 20% 85C	MAIN CBA	RTD164		PRE039540-2200	
C526	264329	CHIP CAP 220 PF 50V 5% NPO	MAIN CBA	RTD164		PXL410370-2210	
C527	264323	CHIP CAP 100 PF 50V 5% NPO	MAIN CBA	RTD164		PXL410370-1010	
C528	264441	CHIP CAP 0.01 UF 50V 10%	MAIN CBA	RTD164		PXL456470-1030	
C529	264441	CHIP CAP 0.01 UF 50V 10%	MAIN CBA	RTD164		PXL456470-1030	
C530	264441	CHIP CAP 0.01 UF 50V 10%	MAIN CBA	RTD164		PXL456470-1030	
C531	264441	CHIP CAP 0.01 UF 50V 10%	MAIN CBA	RTD164		PXL456470-1030	
C532	264441	CHIP CAP 0.01 UF 50V 10%	MAIN CBA	RTD164		PXL456470-1030	
C533	264441	CHIP CAP 0.01 UF 50V 10%	MAIN CBA	RTD164		PXL456470-1030	
C534	264441	CHIP CAP 0.01 UF 50V 10%	MAIN CBA	RTD164		PXL456470-1030	
C535	264441	CHIP CAP 0.01 UF 50V 10%	MAIN CBA	RTD164		PXL456470-1030	
C536	264441	CHIP CAP 0.01 UF 50V 10%	MAIN CBA	RTD164		PXL456470-1030	
C537	264441	CHIP CAP 0.01 UF 50V 10%	MAIN CBA	RTD164		PXL456470-1030	
C538	264441	CHIP CAP 0.01 UF 50V 10%	MAIN CBA	RTD164		PXL456470-1030	
C539	264441	CHIP CAP 0.01 UF 50V 10%	MAIN CBA	RTD164		PXL456470-1030	
C540	264442	CHIP CAP 0.1 UF 50V 10%	MAIN CBA	RTD164		PXL456470-1040	
C541	264442	CHIP CAP 0.1 UF 50V 10%	MAIN CBA	RTD164		PXL456470-1040	
C542	264442	CHIP CAP 0.1 UF 50V 10%	MAIN CBA	RTD164		PXL456470-1040	
C543	264442	CHIP CAP 0.1 UF 50V 10%	MAIN CBA	RTD164		PXL456470-1040	
C544	264442	CHIP CAP 0.1 UF 50V 10%	MAIN CBA	RTD164		PXL456470-1040	
C545	264442	CHIP CAP 0.1 UF 50V 10%	MAIN CBA	RTD164		PXL456470-1040	
C546	264442	CHIP CAP 0.1 UF 50V 10%	MAIN CBA	RTD164		PXL456470-1040	
C547	264442	CHIP CAP 0.1 UF 50V 10%	MAIN CBA	RTD164		PXL456470-1040	
C548	264442	CHIP CAP 0.1 UF 50V 10%	MAIN CBA	RTD164		PXL456470-1040	
C549	264442	CHIP CAP 0.1 UF 50V 10%	MAIN CBA	RTD164		PXL456470-1040	
C550	264442	CHIP CAP 0.1 UF 50V 10%	MAIN CBA	RTD164		PXL456470-1040	
C551	266662	CAP .01 100V	MAIN CBA	RTD164		PZL4564A0-1040	
C552	266662	CAP .01 100V	MAIN CBA	RTD164		PZL4564A0-1040	
C553	266662	CAP .01 100V	MAIN CBA	RTD164		PZL4564A0-1040	
C554	264337	CHIP CAP 0.1UF 50V 10%	MAIN CBA	RTD164		PZL456470-1040	
C555	264337	CHIP CAP 0.1UF 50V 10%	MAIN CBA	RTD164		PZL456470-1040	
C556	266662	CAP .01 100V	MAIN CBA	RTD164		PZL4564A0-1040	
C557	264337	CHIP CAP 0.1UF 50V 10%	MAIN CBA	RTD164		PZL456470-1040	
C558	264337	CHIP CAP 0.1UF 50V 10%	MAIN CBA	RTD164		PZL456470-1040	
C559	266644	ELECT 470UF 16V 20% 105C	MAIN CBA	RTD164		PRE099542-471Z	
C560	264419	CAP ELECT 100UF 16V 20% 85C	MAIN CBA	RTD164		PRE039540-1010	
C561	266646	METAL 0.82UF 63V 5% MINI BOX	MAIN CBA	RTD164		PFN226380-8240	
C562	266646	METAL 0.82UF 63V 5% MINI BOX	MAIN CBA	RTD164		PFN226380-8240	
C563	266646	METAL 0.82UF 63V 5% MINI BOX	MAIN CBA	RTD164		PFN226380-8240	
C564	266646	METAL 0.82UF 63V 5% MINI BOX	MAIN CBA	RTD164		PFN226380-8240	
C565	266646	METAL 0.82UF 63V 5% MINI BOX	MAIN CBA	RTD164		PFN226380-8240	
C566	266650	ELECT 1000UF 50V 20% 105C	MAIN CBA	RTD164		PVE099570-102Z	
C567	266650	ELECT 1000UF 50V 20% 105C	MAIN CBA	RTD164		PVE099570-102Z	
C568	264338	CHIP CAP 330PF 50V 10%	MAIN CBA	RTD164		PZL456470-3310	
C569	264338	CHIP CAP 330PF 50V 10%	MAIN CBA	RTD164		PZL456470-3310	
C570	264338	CHIP CAP 330PF 50V 10%	MAIN CBA	RTD164		PZL456470-3310	
C571	264338	CHIP CAP 330PF 50V 10%	MAIN CBA	RTD164		PZL456470-3310	
C572	264338	CHIP CAP 330PF 50V 10%	MAIN CBA	RTD164		PZL456470-3310	
C573	264338	CHIP CAP 330PF 50V 10%	MAIN CBA	RTD164		PZL456470-3310	
C574	266645	SMD CAP 1UF 50V 10% 1206 X7R	MAIN CBA	RTD164		PZL456470-1050	

Symbol	Stock	Description	Circuit	Model	TypeCode	Drawing	Notes
C575	266645	SMD CAP 1UF 50V 10% 1206 X7R	MAIN CBA	RTD164		PZL456470-1050	
C576	266645	SMD CAP 1UF 50V 10% 1206 X7R	MAIN CBA	RTD164		PZL456470-1050	
C577	266645	SMD CAP 1UF 50V 10% 1206 X7R	MAIN CBA	RTD164		PZL456470-1050	
C578	266646	METAL 0.82UF 63V 5% MINI BOX	MAIN CBA	RTD164		PFN226380-8240	
C579	266623	D ELECT 220UF 35V 20% 105C	MAIN CBA	RTD164		PRE099560-221Z	
C580	266623	D ELECT 220UF 35V 20% 105C	MAIN CBA	RTD164		PRE099560-221Z	
C581	266623	D ELECT 220UF 35V 20% 105C	MAIN CBA	RTD164		PRE099560-221Z	
C582	266623	D ELECT 220UF 35V 20% 105C	MAIN CBA	RTD164		PRE099560-221Z	
C583	266623	D ELECT 220UF 35V 20% 105C	MAIN CBA	RTD164		PRE099560-221Z	
C584	266623	D ELECT 220UF 35V 20% 105C	MAIN CBA	RTD164		PRE099560-221Z	
C585	266623	D ELECT 220UF 35V 20% 105C	MAIN CBA	RTD164		PRE099560-221Z	
C586	266623	D ELECT 220UF 35V 20% 105C	MAIN CBA	RTD164		PRE099560-221Z	
C587	266623	D ELECT 220UF 35V 20% 105C	MAIN CBA	RTD164		PRE099560-221Z	
C588	266623	D ELECT 220UF 35V 20% 105C	MAIN CBA	RTD164		PRE099560-221Z	
C614	264442	CHIP CAP 0.1 UF 50V 10%	MAIN CBA	RTD164		PXL456470-1040	
C615	264442	CHIP CAP 0.1 UF 50V 10%	MAIN CBA	RTD164		PXL456470-1040	
C616	264442	CHIP CAP 0.1 UF 50V 10%	MAIN CBA	RTD164		PXL456470-1040	
C701	264323	CHIP CAP 100 PF 50V 5% NPO	MAIN CBA	RTD164		PXL410370-1010	
C702	264323	CHIP CAP 100 PF 50V 5% NPO	MAIN CBA	RTD164		PXL410370-1010	
C703	264442	CHIP CAP 0.1 UF 50V 10%	MAIN CBA	RTD164		PXL456470-1040	
C704	264442	CHIP CAP 0.1 UF 50V 10%	MAIN CBA	RTD164		PXL456470-1040	
C705	264442	CHIP CAP 0.1 UF 50V 10%	MAIN CBA	RTD164		PXL456470-1040	
C706	264442	CHIP CAP 0.1 UF 50V 10%	MAIN CBA	RTD164		PXL456470-1040	
C707	264442	CHIP CAP 0.1 UF 50V 10%	MAIN CBA	RTD164		PXL456470-1040	
C708	266624	D ELECT 10UF 16V 20%	MAIN CBA	RTD164		PRE039540-1000	
C709	264419	CAP ELECT 100UF 16V 20% 85C	MAIN CBA	RTD164		PRE039540-1010	
C710	264419	CAP ELECT 100UF 16V 20% 85C	MAIN CBA	RTD164		PRE039540-1010	
C711	264419	CAP ELECT 100UF 16V 20% 85C	MAIN CBA	RTD164		PRE039540-1010	
C712	264321	CHIP CAP 47 PF 50V 5% NPO	MAIN CBA	RTD164		PXL410370-4700	
C713	264376	CHIP CAP 15 PF 50V 5%	MAIN CBA	RTD164		PXL410370-1500	
C714	264376	CHIP CAP 15 PF 50V 5%	MAIN CBA	RTD164		PXL410370-1500	
C715	264376	CHIP CAP 15 PF 50V 5%	MAIN CBA	RTD164		PXL410370-1500	
C716	264318	CHIP CAP 22 PF 50V 5%	MAIN CBA	RTD164		PXL410370-2200	
C717	264318	CHIP CAP 22 PF 50V 5%	MAIN CBA	RTD164		PXL410370-2200	
C801	264376	CHIP CAP 15 PF 50V 5%	MAIN CBA	RTD164		PXL410370-1500	
C802	264376	CHIP CAP 15 PF 50V 5%	MAIN CBA	RTD164		PXL410370-1500	
C803	264376	CHIP CAP 15 PF 50V 5%	MAIN CBA	RTD164		PXL410370-1500	
CABLE	266704	CABLE 13PIN 120MM	INSTRUMENT	RTD164		VFC130330-1200	
CABLE	266705	CABLE 24PIN 180MM	INSTRUMENT	RTD164		VFC240110-1800	
CABLE	266714	WIRE 3PIN 180MM	INSTRUMENT	RTD164		VFL301255-1800	
CIRCUIT	266658	FRONT CONTROL PCB ASSY	MAIN CBA	RTD164		APE201461-0002	
CIRCUIT	266659	STANDBY PCB ASSY	MAIN CBA	RTD164		APE201462-0001	
CIRCUIT	266666	POWER PCB ASSY 120V	MAIN CBA	RTD164		WPC020160-0001	
CIRCUIT	266657	YUV PCB ASSY	MAIN CBA	RTD164		APE200740-0001	
CIRCUIT	266656	MAIN BOARD ASSY	MAIN CBA	RTD164		AFLDR31D0-CL02	
CN101	264386	CONNECTOR 24PIN PITCH=0.5	MAIN CBA	RTD164		CHC050050-0824	
CN102	266654	CONNECTOR 6 PIN PITCH=2.0MM	MAIN CBA	RTD164		CCN200000-0106	
CN103	264245	CONNECTOR 5 PIN PITCH=2.0MM	MAIN CBA	RTD164		CCN200000-0105	
CN305	264248	CONNECTOR 8 PIN PITCH=2.0MM	MAIN CBA	RTD164		CCN200000-0108	
CN306	266655	CONNECTOR 13P P1.25X2XH8MM 180	MAIN CBA	RTD164		CCH125030-2213	
CN501	264431	CONNECTOR B2B-XH-A 2 PIN	MAIN CBA	RTD164		CCN250000-0102	
CN801	264265	CONNECTOR 4 PIN PITCH=2.0MM	MAIN CBA	RTD164		CCN200000-0104	
CONN	266715	CON/WIRE 5PIN 260MM	INSTRUMENT	RTD164		VFL501244-2600	
CONN.	266716	WIRE 6PIN 220MM	INSTRUMENT	RTD164		VFL601244-2200	
D101	264339	DIODE CHIP BAV16W/IN4148W	MAIN CBA	RTD164		RCD114148-0011	
D102	264339	DIODE CHIP BAV16W/IN4148W	MAIN CBA	RTD164		RCD114148-0011	
D103	264339	DIODE CHIP BAV16W/IN4148W	MAIN CBA	RTD164		RCD114148-0011	
D301	264339	DIODE CHIP BAV16W/IN4148W	MAIN CBA	RTD164		RCD114148-0011	
D302	264339	DIODE CHIP BAV16W/IN4148W	MAIN CBA	RTD164		RCD114148-0011	
D303	264339	DIODE CHIP BAV16W/IN4148W	MAIN CBA	RTD164		RCD114148-0011	
D701	264339	DIODE CHIP BAV16W/IN4148W	MAIN CBA	RTD164		RCD114148-0011	
D702	264339	DIODE CHIP BAV16W/IN4148W	MAIN CBA	RTD164		RCD114148-0011	
D703	264339	DIODE CHIP BAV16W/IN4148W	MAIN CBA	RTD164		RCD114148-0011	
DP701	266625	FLOUR.DISPL SM51T SAMSUNG	MAIN CBA	RTD164		KLV000034-0010	
DVD MECH	266621	DVD MECHANISM	DVD ASSEMBLY	RTD164		ASL261603-1102	
ESD4	264455	CAP DISC 0.1 UF 50V +80-20%	MAIN CBA	RTD164		PRD249670-1040	
ESD5	264455	CAP DISC 0.1 UF 50V +80-20%	MAIN CBA	RTD164		PRD249670-1040	
ESD6	264455	CAP DISC 0.1 UF 50V +80-20%	MAIN CBA	RTD164		PRD249670-1040	
FB101	264343	CHIP BEAD 600 OHM AT 100MHZ	MAIN CBA	RTD164		SCB008050-6010	
FB102	264343	CHIP BEAD 600 OHM AT 100MHZ	MAIN CBA	RTD164		SCB008050-6010	
FB103	264343	CHIP BEAD 600 OHM AT 100MHZ	MAIN CBA	RTD164		SCB008050-6010	
FB108	264343	CHIP BEAD 600 OHM AT 100MHZ	MAIN CBA	RTD164		SCB008050-6010	
FB109	264343	CHIP BEAD 600 OHM AT 100MHZ	MAIN CBA	RTD164		SCB008050-6010	
FB110	264343	CHIP BEAD 600 OHM AT 100MHZ	MAIN CBA	RTD164		SCB008050-6010	
FB111	264343	CHIP BEAD 600 OHM AT 100MHZ	MAIN CBA	RTD164		SCB008050-6010	
FB112	264343	CHIP BEAD 600 OHM AT 100MHZ	MAIN CBA	RTD164		SCB008050-6010	
FB113	264343	CHIP BEAD 600 OHM AT 100MHZ	MAIN CBA	RTD164		SCB008050-6010	
FB115	264343	CHIP BEAD 600 OHM AT 100MHZ	MAIN CBA	RTD164		SCB008050-6010	
FB116	264343	CHIP BEAD 600 OHM AT 100MHZ	MAIN CBA	RTD164		SCB008050-6010	
FB117	264343	CHIP BEAD 600 OHM AT 100MHZ	MAIN CBA	RTD164		SCB008050-6010	

Symbol	Stock	Description	Circuit	Model	TypeCode	Drawing	Notes
FB118	264343	CHIP BEAD 600 OHM AT 100MHZ	MAIN CBA	RTD164		SCB008050-6010	
FB301	264343	CHIP BEAD 600 OHM AT 100MHZ	MAIN CBA	RTD164		SCB008050-6010	
FB302	264343	CHIP BEAD 600 OHM AT 100MHZ	MAIN CBA	RTD164		SCB008050-6010	
FB304	264343	CHIP BEAD 600 OHM AT 100MHZ	MAIN CBA	RTD164		SCB008050-6010	
FB306	264343	CHIP BEAD 600 OHM AT 100MHZ	MAIN CBA	RTD164		SCB008050-6010	
FB307	264343	CHIP BEAD 600 OHM AT 100MHZ	MAIN CBA	RTD164		SCB008050-6010	
FB308	264343	CHIP BEAD 600 OHM AT 100MHZ	MAIN CBA	RTD164		SCB008050-6010	
FB309	264343	CHIP BEAD 600 OHM AT 100MHZ	MAIN CBA	RTD164		SCB008050-6010	
FB310	264401	BEAD FERIT DIA3.5X6MM 100 OHM	MAIN CBA	RTD164		SFB001001-0030	
FB311	264401	BEAD FERIT DIA3.5X6MM 100 OHM	MAIN CBA	RTD164		SFB001001-0030	
FB312	264401	BEAD FERIT DIA3.5X6MM 100 OHM	MAIN CBA	RTD164		SFB001001-0030	
FB313	264401	BEAD FERIT DIA3.5X6MM 100 OHM	MAIN CBA	RTD164		SFB001001-0030	
FB314	264401	BEAD FERIT DIA3.5X6MM 100 OHM	MAIN CBA	RTD164		SFB001001-0030	
FB315	264401	BEAD FERIT DIA3.5X6MM 100 OHM	MAIN CBA	RTD164		SFB001001-0030	
FB316	264401	BEAD FERIT DIA3.5X6MM 100 OHM	MAIN CBA	RTD164		SFB001001-0030	
FB317	264401	BEAD FERIT DIA3.5X6MM 100 OHM	MAIN CBA	RTD164		SFB001001-0030	
FB318	264401	BEAD FERIT DIA3.5X6MM 100 OHM	MAIN CBA	RTD164		SFB001001-0030	
FB319	266708	SMD BEAD 100 OHM AT 100MHZ	MAIN CBA	RTD164		SCB008050-1010	
FB320	266708	SMD BEAD 100 OHM AT 100MHZ	MAIN CBA	RTD164		SCB008050-1010	
FB321	266708	SMD BEAD 100 OHM AT 100MHZ	MAIN CBA	RTD164		SCB008050-1010	
FB322	264343	CHIP BEAD 600 OHM AT 100MHZ	MAIN CBA	RTD164		SCB008050-6010	
FB323	264343	CHIP BEAD 600 OHM AT 100MHZ	MAIN CBA	RTD164		SCB008050-6010	
FB324	264343	CHIP BEAD 600 OHM AT 100MHZ	MAIN CBA	RTD164		SCB008050-6010	
FB325	264401	BEAD FERIT DIA3.5X6MM 100 OHM	MAIN CBA	RTD164		SFB001001-0030	
FB501	264343	CHIP BEAD 600 OHM AT 100MHZ	MAIN CBA	RTD164		SCB008050-6010	
FB502	264343	CHIP BEAD 600 OHM AT 100MHZ	MAIN CBA	RTD164		SCB008050-6010	
FB801	264343	CHIP BEAD 600 OHM AT 100MHZ	MAIN CBA	RTD164		SCB008050-6010	
FB802	264343	CHIP BEAD 600 OHM AT 100MHZ	MAIN CBA	RTD164		SCB008050-6010	
FB803	264343	CHIP BEAD 600 OHM AT 100MHZ	MAIN CBA	RTD164		SCB008050-6010	
FILTER	266721	FILTER PVC L110MMXW16XT0.06MM	INSTRUMENT	RTD164		BFP211011-0001	
FOOT	266695	RUBBER FOOT L14.8MMXW9.8MMX	INSTRUMENT	RTD164		BRF200012-0001	
I-02	266685	FRONT CABINET 94V0	INSTRUMENT	RTD164		BPF200036-0002	
I-05	266713	DOOR	INSTRUMENT	RTD164		BPD200022-0001	
I-06	266691	DOOR LENS ARCYLIC	INSTRUMENT	RTD164		BPN200043-0002	
I-07	266690	DISPLAY LENS ARCYLIC	INSTRUMENT	RTD164		BPN200042-0001	
I-08	266687	FUNCTION KNOB	INSTRUMENT	RTD164		BPK208036-0001	
I-09	266688	VOLUME KNOB	INSTRUMENT	RTD164		BPK208037-0001	
I-1	266689	POWER KNOB	INSTRUMENT	RTD164		BPK218036-0001	
I-10	266698	BOTTOM SECC T=0.8MM	INSTRUMENT	RTD164		GSE200115-0001	
I-11	266694	RIGHT CABINET 94V0	INSTRUMENT	RTD164		BPS211002-0001	
I-13	266697	DC FAN 12V 70MA KD1205PFS	INSTRUMENT	RTD164		FAN021203-0004	
I-14	266686	FAN BRACKET	INSTRUMENT	RTD164		BPH200018-0001	
I-15	266699	BACK W/YUV SECC	INSTRUMENT	RTD164		GSE200116-0001	
I-19	266722	TOP CABINET 94V0	INSTRUMENT	RTD164		BPC200005-0001	
I-20	266720	TUNER KST-ML011FA0-30 KWANG	INSTRUMENT	RTD164		WTP000011-0008	
I-21	266701	LOADER BRACKET	INSTRUMENT	RTD164		GSE200118-0001	
I-22	266693	LEFT CABINET	INSTRUMENT	RTD164		BPS201002-0001	
I-24	266700	FRONT BRACKET	INSTRUMENT	RTD164		GSE200117-0001	
IC101	266673	IC 28 PIN AM5868S	MAIN CBA	RTD164		RCI005868-0002	
IC102	266674	IC 64 PIN ES6603S LQFP	MAIN CBA	RTD164		RCI006603-0001	
IC103	266675	IC 8PIN M24C02-MN6T ST	MAIN CBA	RTD164		RCI024002-0003	
IC104	266676	IC 54 PIN SD41620HGT-6	MAIN CBA	RTD164		RCI041620-0001	
IC104	266677	IC 54 PIN HY57V641620HGT-7	MAIN CBA	RTD164		RCI641620-0004	
IC105	264368	IC 3 PIN IMP809SEUR-T SOT23	MAIN CBA	RTD164		RCI000809-0003	
IC106	266678	IC 208 PIN ES6629FD PQFP	MAIN CBA	RTD164		RCI006629-0001	
IC107	264365	IC 40PIN SST39VF080 3.3V	MAIN CBA	RTD164		RCI390080-0001	
IC108	264350	IC 20 PIN 74HC374	MAIN CBA	RTD164		RCI740374-0002	
IC109	264350	IC 20 PIN 74HC374	MAIN CBA	RTD164		RCI740374-0002	
IC302	266679	IC CS5333 16 PIN	MAIN CBA	RTD164		RCI005333-0001	
IC308	264354	IC 16 PIN TC4052BFN CHIP	MAIN CBA	RTD164		RCI004052-0001	
IC310	264363	IC 3 PIN RT9164-33CLR	MAIN CBA	RTD164		RCI916433-0001	
IC311	264363	IC 3 PIN RT9164-33CLR	MAIN CBA	RTD164		RCI916433-0001	
IC312	264364	IC 4 PIN B1117N-2.85 SOT-223	MAIN CBA	RTD164		RCI011170-0001	
IC501	266668	IC 64 PIN STA308A TQFP ST	MAIN CBA	RTD164		RCI000308-0002	
IC502	264090	IC 36 PIN STA505	MAIN CBA	RTD164		RCI0005050001	
IC503	264090	IC 36 PIN STA505	MAIN CBA	RTD164		RCI0005050001	
IC701	266669	IC 18 PIN CTM8B56EP SOP	MAIN CBA	RTD164		RCI008056-0001	
IC702	264443	IC 52 PIN PT6311(PTC)	MAIN CBA	RTD164		RCI006311-0001	
JK103	264428	JACK RCA YEL = S-VIDEO	MAIN CBA	RTD164		CJC010004-3030	
JK303	264246	RCA JACK 4P WHT-WHT/RED-RED	MAIN CBA	RTD164		CJR104101-0010	
JK501	266670	JACK 12P RD-WT-GRN-GRY-BLU-PUR	MAIN CBA	RTD164		CJS012103-0010	
JK801	264436	RCA JACK 3P RED/BLU/GRN AXIA	MAIN CBA	RTD164		CJR003301-0020	
JP101	N/S/P	WIREBARE 22	MAIN CBA	RTD164		XJP220000-0001	
JP102	N/S/P	WIREBARE 22	MAIN CBA	RTD164		XJP220000-0001	
JP103	N/S/P	WIREBARE 22	MAIN CBA	RTD164		XJP220000-0001	
JP104	N/S/P	WIREBARE 22	MAIN CBA	RTD164		XJP220000-0001	
JP105	N/S/P	WIREBARE 22	MAIN CBA	RTD164		XJP220000-0001	
L104	266671	INDUC 2.4 UH 5% SMD 0805	MAIN CBA	RTD164		SCN023500-2490	
L105	266671	INDUC 2.4 UH 5% SMD 0805	MAIN CBA	RTD164		SCN023500-2490	
L106	266671	INDUC 2.4 UH 5% SMD 0805	MAIN CBA	RTD164		SCN023500-2490	

Symbol	Stock	Description	Circuit	Model	TypeCode	Drawing	Notes
L107	266671	INDUC 2.4 UH 5% SMD 0805	MAIN CBA	RTD164		SCN023500-2490	
L108	266671	INDUC 2.4 UH 5% SMD 0805	MAIN CBA	RTD164		SCN023500-2490	
L503	264425	INDUCTOR 30UH 15% 1KHZ .25V 2A	MAIN CBA	RTD164		SIN002002-3000	
L504	264425	INDUCTOR 30UH 15% 1KHZ .25V 2A	MAIN CBA	RTD164		SIN002002-3000	
L505	264425	INDUCTOR 30UH 15% 1KHZ .25V 2A	MAIN CBA	RTD164		SIN002002-3000	
L506	264425	INDUCTOR 30UH 15% 1KHZ .25V 2A	MAIN CBA	RTD164		SIN002002-3000	
L507	264425	INDUCTOR 30UH 15% 1KHZ .25V 2A	MAIN CBA	RTD164		SIN002002-3000	
L508	264425	INDUCTOR 30UH 15% 1KHZ .25V 2A	MAIN CBA	RTD164		SIN002002-3000	
L509	264425	INDUCTOR 30UH 15% 1KHZ .25V 2A	MAIN CBA	RTD164		SIN002002-3000	
L510	264240	COIL 20UH D0.5MM 4PIN	MAIN CBA	RTD164		SIL102001-2000	
LD701	266651	3 DIA RED ROUND LEAD 10MM	MAIN CBA	RTD164		KED200003-2010	
LENS P	266692	POWER KEY LENS	INSTRUMENT	RTD164		BPN210044-0002	
Q101	266652	FET 2SK3018 30V/0.1A SC-70 ROH	MAIN CBA	RTD164		RCM203018-1001	
Q102	266652	FET 2SK3018 30V/0.1A SC-70 ROH	MAIN CBA	RTD164		RCM203018-1001	
Q103	264346	XISTR NPN CM5783GR SOT23	MAIN CBA	RTD164		RCN005783-0001	
Q104	264346	XISTR NPN CM5783GR SOT23	MAIN CBA	RTD164		RCN005783-0001	
Q105	266653	TR XISTR PNP 2SB1132-T100	MAIN CBA	RTD164		RCP201132-0001	
Q106	266653	TR XISTR PNP 2SB1132-T100	MAIN CBA	RTD164		RCP201132-0001	
Q107	264344	XISTR PNP 2SA812 HFE:200~400	MAIN CBA	RTD164		RCP200733-0001	
Q302	264346	XISTR NPN CM5783GR SOT23	MAIN CBA	RTD164		RCN005783-0001	
Q304	264344	XISTR PNP 2SA812 HFE:200~400	MAIN CBA	RTD164		RCP200733-0001	
Q308	264346	XISTR NPN CM5783GR SOT23	MAIN CBA	RTD164		RCN005783-0001	
Q501	264346	XISTR NPN CM5783GR SOT23	MAIN CBA	RTD164		RCN005783-0001	
Q502	264346	XISTR NPN CM5783GR SOT23	MAIN CBA	RTD164		RCN005783-0001	
Q503	264344	XISTR PNP 2SA812 HFE:200~400	MAIN CBA	RTD164		RCP200733-0001	
Q701	264344	XISTR PNP 2SA812 HFE:200~400	MAIN CBA	RTD164		RCP200733-0001	
Q702	264344	XISTR PNP 2SA812 HFE:200~400	MAIN CBA	RTD164		RCP200733-0001	
Q703	264344	XISTR PNP 2SA812 HFE:200~400	MAIN CBA	RTD164		RCP200733-0001	
Q704	264344	XISTR PNP 2SA812 HFE:200~400	MAIN CBA	RTD164		RCP200733-0001	
R101	264280	CHIP RES. 18K OHM 1/16W 5%	MAIN CBA	RTD164		QCF165030-1830	
R102	264291	CHIP RES. 100K OHM 1/16W 5%	MAIN CBA	RTD164		QCF165030-1040	
R103	264291	CHIP RES. 100K OHM 1/16W 5%	MAIN CBA	RTD164		QCF165030-1040	
R104	264291	CHIP RES. 100K OHM 1/16W 5%	MAIN CBA	RTD164		QCF165030-1040	
R105	264279	CHIP RES. 15K OHM 1/16W 5%	MAIN CBA	RTD164		QCF165030-1530	
R106	264271	CHIP RES. 1K OHM 1/16W 5%	MAIN CBA	RTD164		QCF165030-1020	
R107	264271	CHIP RES. 1K OHM 1/16W 5%	MAIN CBA	RTD164		QCF165030-1020	
R108	264271	CHIP RES. 1K OHM 1/16W 5%	MAIN CBA	RTD164		QCF165030-1020	
R111	264296	CHIP RES. 1M OHM 1/16W 5%	MAIN CBA	RTD164		QCF165030-1050	
R112	264287	CHIP RES. 56K OHM 1/16W 5%	MAIN CBA	RTD164		QCF165030-5630	
R113	266660	SMD RES. 82K OHM 1/16 W 5%	MAIN CBA	RTD164		QCF165030-8230	
R114	264273	CHIP RES. 4.7K OHM 1/16W 5 %	MAIN CBA	RTD164		QCF165030-4720	
R116	264273	CHIP RES. 4.7K OHM 1/16W 5 %	MAIN CBA	RTD164		QCF165030-4720	
R117	264273	CHIP RES. 4.7K OHM 1/16W 5 %	MAIN CBA	RTD164		QCF165030-4720	
R118	264273	CHIP RES. 4.7K OHM 1/16W 5 %	MAIN CBA	RTD164		QCF165030-4720	
R119	264273	CHIP RES. 4.7K OHM 1/16W 5 %	MAIN CBA	RTD164		QCF165030-4720	
R120	264273	CHIP RES. 4.7K OHM 1/16W 5 %	MAIN CBA	RTD164		QCF165030-4720	
R121	264273	CHIP RES. 4.7K OHM 1/16W 5 %	MAIN CBA	RTD164		QCF165030-4720	
R122	264273	CHIP RES. 4.7K OHM 1/16W 5 %	MAIN CBA	RTD164		QCF165030-4720	
R123	264273	CHIP RES. 4.7K OHM 1/16W 5 %	MAIN CBA	RTD164		QCF165030-4720	
R126	264277	CHIP RES. 10K OHM 1/16W 5%	MAIN CBA	RTD164		QCF165030-1030	
R127	264277	CHIP RES. 10K OHM 1/16W 5%	MAIN CBA	RTD164		QCF165030-1030	
R128	264277	CHIP RES. 10K OHM 1/16W 5%	MAIN CBA	RTD164		QCF165030-1030	
R129	264277	CHIP RES. 10K OHM 1/16W 5%	MAIN CBA	RTD164		QCF165030-1030	
R130	264277	CHIP RES. 10K OHM 1/16W 5%	MAIN CBA	RTD164		QCF165030-1030	
R131	264277	CHIP RES. 10K OHM 1/16W 5%	MAIN CBA	RTD164		QCF165030-1030	
R132	264277	CHIP RES. 10K OHM 1/16W 5%	MAIN CBA	RTD164		QCF165030-1030	
R133	264278	CHIP RES. 10 OHM 1/16W 5%	MAIN CBA	RTD164		QCF165030-1000	
R134	266711	SMD RES. 4.7 OHM 1/16 W 5%	MAIN CBA	RTD164		QCF165030-4790	
R137	264273	CHIP RES. 4.7K OHM 1/16W 5 %	MAIN CBA	RTD164		QCF165030-4720	
R138	264273	CHIP RES. 4.7K OHM 1/16W 5 %	MAIN CBA	RTD164		QCF165030-4720	
R141	264393	CHIP RES. 12K OHM 1/16W 5%	MAIN CBA	RTD164		QCF165030-1230	
R142	266712	SMD RES. 1.5K OHM 1/16 W 5%	MAIN CBA	RTD164		QCF165030-1520	
R143	266712	SMD RES. 1.5K OHM 1/16 W 5%	MAIN CBA	RTD164		QCF165030-1520	
R144	264281	CHIP RES. 22K OHM 1/16W 5%	MAIN CBA	RTD164		QCF165030-2230	
R145	264281	CHIP RES. 22K OHM 1/16W 5%	MAIN CBA	RTD164		QCF165030-2230	
R146	264268	CHIP RES. 0 OHM JUMP WIRE	MAIN CBA	RTD164		QCF165030-0000	
R148	264268	CHIP RES. 0 OHM JUMP WIRE	MAIN CBA	RTD164		QCF165030-0000	
R151	264284	CHIP RES. 33 OHM 1/16W 5%	MAIN CBA	RTD164		QCF165030-3300	
R152	264284	CHIP RES. 33 OHM 1/16W 5%	MAIN CBA	RTD164		QCF165030-3300	
R155	264268	CHIP RES. 0 OHM JUMP WIRE	MAIN CBA	RTD164		QCF165030-0000	
R156	264284	CHIP RES. 33 OHM 1/16W 5%	MAIN CBA	RTD164		QCF165030-3300	
R157	264284	CHIP RES. 33 OHM 1/16W 5%	MAIN CBA	RTD164		QCF165030-3300	
R159	264284	CHIP RES. 33 OHM 1/16W 5%	MAIN CBA	RTD164		QCF165030-3300	
R160	264268	CHIP RES. 0 OHM JUMP WIRE	MAIN CBA	RTD164		QCF165030-0000	
R161	264284	CHIP RES. 33 OHM 1/16W 5%	MAIN CBA	RTD164		QCF165030-3300	
R162	264284	CHIP RES. 33 OHM 1/16W 5%	MAIN CBA	RTD164		QCF165030-3300	
R163	264284	CHIP RES. 33 OHM 1/16W 5%	MAIN CBA	RTD164		QCF165030-3300	
R164	264268	CHIP RES. 0 OHM JUMP WIRE	MAIN CBA	RTD164		QCF165030-0000	
R165	264268	CHIP RES. 0 OHM JUMP WIRE	MAIN CBA	RTD164		QCF165030-0000	
R166	264284	CHIP RES. 33 OHM 1/16W 5%	MAIN CBA	RTD164		QCF165030-3300	

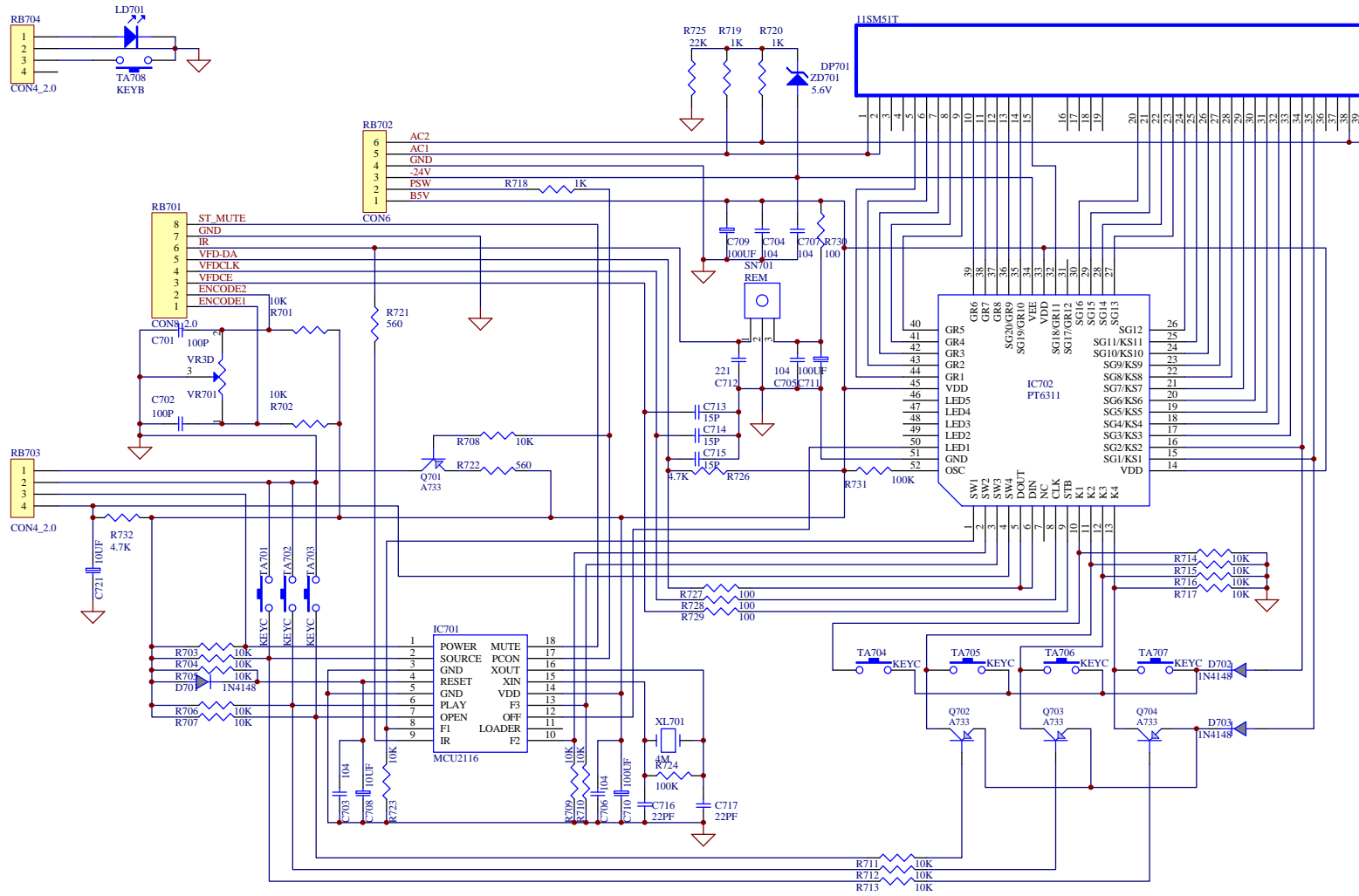


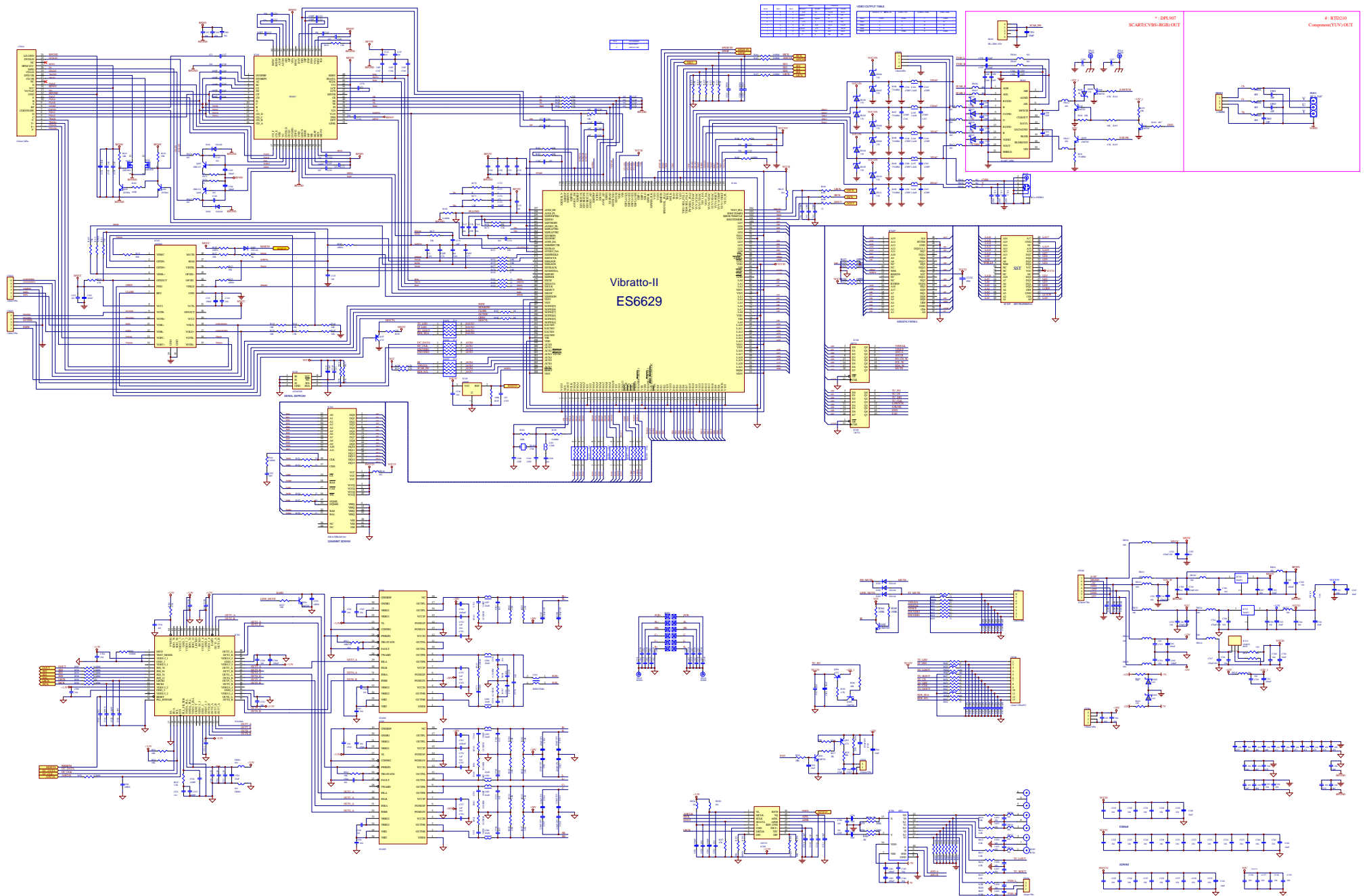
Symbol	Stock	Description	Circuit	Model	TypeCode	Drawing	Notes
R167	264284	CHIP RES. 33 OHM 1/16W 5%	MAIN CBA	RTD164		QCF165030-3300	
R168	264407	RES CF 33 OHM 1/6W 5%	MAIN CBA	RTD164		QAF065000-3300	
R169	264305	CHIP RES. 150 OHM 1/16W 5%	MAIN CBA	RTD164		QCF165030-1510	
R171	264269	CHIP RES. 1.2K OHM 1/16W 5%	MAIN CBA	RTD164		QCF165030-1220	
R172	266672	SMD RES. 5.1K OHM 1/16 W 5%	MAIN CBA	RTD164		QCF165030-5120	
R173	264283	CHIP RES. 33K OHM 1/16W 5%	MAIN CBA	RTD164		QCF165030-3330	
R174	264275	CHIP RES. 6.8K OHM 1/16W 5%	MAIN CBA	RTD164		QCF165030-6820	
R175	264275	CHIP RES. 6.8K OHM 1/16W 5%	MAIN CBA	RTD164		QCF165030-6820	
R176	264275	CHIP RES. 6.8K OHM 1/16W 5%	MAIN CBA	RTD164		QCF165030-6820	
R177	264268	CHIP RES. 0 OHM JUMP WIRE	MAIN CBA	RTD164		QCF165030-0000	
R178	264272	CHIP RES. 3.3K OHM 1/16W 5%	MAIN CBA	RTD164		QCF165030-3320	
R179	264272	CHIP RES. 3.3K OHM 1/16W 5%	MAIN CBA	RTD164		QCF165030-3320	
R180	264272	CHIP RES. 3.3K OHM 1/16W 5%	MAIN CBA	RTD164		QCF165030-3320	
R181	264272	CHIP RES. 3.3K OHM 1/16W 5%	MAIN CBA	RTD164		QCF165030-3320	
R182	264303	CHIP RES. 68K OHM 1/16W 5 %	MAIN CBA	RTD164		QCF165030-6830	
R183	266706	SMD RES. 20K OHM 1/16 W 5%	MAIN CBA	RTD164		QCF165030-2030	
R184	266707	SMD RES. 360 OHM 1/16 W 5%	MAIN CBA	RTD164		QCF165030-3610	
R185	264268	CHIP RES. 0 OHM JUMP WIRE	MAIN CBA	RTD164		QCF165030-0000	
R186	264289	CHIP RES. 75 OHM 1/16W 5%	MAIN CBA	RTD164		QCF165030-7500	
R187	264289	CHIP RES. 75 OHM 1/16W 5%	MAIN CBA	RTD164		QCF165030-7500	
R188	264289	CHIP RES. 75 OHM 1/16W 5%	MAIN CBA	RTD164		QCF165030-7500	
R189	264289	CHIP RES. 75 OHM 1/16W 5%	MAIN CBA	RTD164		QCF165030-7500	
R190	264289	CHIP RES. 75 OHM 1/16W 5%	MAIN CBA	RTD164		QCF165030-7500	
R355	264277	CHIP RES. 10K OHM 1/16W 5%	MAIN CBA	RTD164		QCF165030-1030	
R356	264277	CHIP RES. 10K OHM 1/16W 5%	MAIN CBA	RTD164		QCF165030-1030	
R357	264286	CHIP RES. 47K OHM 1/16W 5 %	MAIN CBA	RTD164		QCF165030-4730	
R364	264291	CHIP RES. 100K OHM 1/16W 5%	MAIN CBA	RTD164		QCF165030-1040	
R365	264291	CHIP RES. 100K OHM 1/16W 5%	MAIN CBA	RTD164		QCF165030-1040	
R368	264271	CHIP RES. 1K OHM 1/16W 5%	MAIN CBA	RTD164		QCF165030-1020	
R369	264271	CHIP RES. 1K OHM 1/16W 5%	MAIN CBA	RTD164		QCF165030-1020	
R375	264291	CHIP RES. 100K OHM 1/16W 5%	MAIN CBA	RTD164		QCF165030-1040	
R376	264291	CHIP RES. 100K OHM 1/16W 5%	MAIN CBA	RTD164		QCF165030-1040	
R392	264273	CHIP RES. 4.7K OHM 1/16W 5 %	MAIN CBA	RTD164		QCF165030-4720	
R396	264409	RES CF 10K OHM 1/6W 5%	MAIN CBA	RTD164		QAF065000-1030	
R399	264275	CHIP RES. 6.8K OHM 1/16W 5%	MAIN CBA	RTD164		QCF165030-6820	
R400	264275	CHIP RES. 6.8K OHM 1/16W 5%	MAIN CBA	RTD164		QCF165030-6820	
R401	264275	CHIP RES. 6.8K OHM 1/16W 5%	MAIN CBA	RTD164		QCF165030-6820	
R402	264275	CHIP RES. 6.8K OHM 1/16W 5%	MAIN CBA	RTD164		QCF165030-6820	
R403	264275	CHIP RES. 6.8K OHM 1/16W 5%	MAIN CBA	RTD164		QCF165030-6820	
R404	264275	CHIP RES. 6.8K OHM 1/16W 5%	MAIN CBA	RTD164		QCF165030-6820	
R410	264276	CHIP RES. 8.2K OHM 1/16W 5 %	MAIN CBA	RTD164		QCF165030-8220	
R411	264276	CHIP RES. 8.2K OHM 1/16W 5 %	MAIN CBA	RTD164		QCF165030-8220	
R412	264276	CHIP RES. 8.2K OHM 1/16W 5 %	MAIN CBA	RTD164		QCF165030-8220	
R413	264276	CHIP RES. 8.2K OHM 1/16W 5 %	MAIN CBA	RTD164		QCF165030-8220	
R414	264276	CHIP RES. 8.2K OHM 1/16W 5 %	MAIN CBA	RTD164		QCF165030-8220	
R415	264276	CHIP RES. 8.2K OHM 1/16W 5 %	MAIN CBA	RTD164		QCF165030-8220	
R418	264266	RES CF 150 OHM 1/6W 5%	MAIN CBA	RTD164		QAF065000-1510	
R419	264266	RES CF 150 OHM 1/6W 5%	MAIN CBA	RTD164		QAF065000-1510	
R420	264284	CHIP RES. 33 OHM 1/16W 5%	MAIN CBA	RTD164		QCF165030-3300	
R421	264289	CHIP RES. 75 OHM 1/16W 5%	MAIN CBA	RTD164		QCF165030-7500	
R423	264290	CHIP RES. 100 OHM 1/16W 5%	MAIN CBA	RTD164		QCF165030-1010	
R429	264284	CHIP RES. 33 OHM 1/16W 5%	MAIN CBA	RTD164		QCF165030-3300	
R430	264284	CHIP RES. 33 OHM 1/16W 5%	MAIN CBA	RTD164		QCF165030-3300	
R431	264284	CHIP RES. 33 OHM 1/16W 5%	MAIN CBA	RTD164		QCF165030-3300	
R432	264284	CHIP RES. 33 OHM 1/16W 5%	MAIN CBA	RTD164		QCF165030-3300	
R433	264284	CHIP RES. 33 OHM 1/16W 5%	MAIN CBA	RTD164		QCF165030-3300	
R434	264284	CHIP RES. 33 OHM 1/16W 5%	MAIN CBA	RTD164		QCF165030-3300	
R435	264284	CHIP RES. 33 OHM 1/16W 5%	MAIN CBA	RTD164		QCF165030-3300	
R436	264284	CHIP RES. 33 OHM 1/16W 5%	MAIN CBA	RTD164		QCF165030-3300	
R437	264407	RES CF 33 OHM 1/6W 5%	MAIN CBA	RTD164		QAF065000-3300	
R438	264407	RES CF 33 OHM 1/6W 5%	MAIN CBA	RTD164		QAF065000-3300	
R439	264284	CHIP RES. 33 OHM 1/16W 5%	MAIN CBA	RTD164		QCF165030-3300	
R440	264407	RES CF 33 OHM 1/6W 5%	MAIN CBA	RTD164		QAF065000-3300	
R441	264284	CHIP RES. 33 OHM 1/16W 5%	MAIN CBA	RTD164		QCF165030-3300	
R442	264284	CHIP RES. 33 OHM 1/16W 5%	MAIN CBA	RTD164		QCF165030-3300	
R443	264284	CHIP RES. 33 OHM 1/16W 5%	MAIN CBA	RTD164		QCF165030-3300	
R444	264284	CHIP RES. 33 OHM 1/16W 5%	MAIN CBA	RTD164		QCF165030-3300	
R501	264286	CHIP RES. 47K OHM 1/16W 5 %	MAIN CBA	RTD164		QCF165030-4730	
R502	264268	CHIP RES. 0 OHM JUMP WIRE	MAIN CBA	RTD164		QCF165030-0000	
R503	264268	CHIP RES. 0 OHM JUMP WIRE	MAIN CBA	RTD164		QCF165030-0000	
R511	264277	CHIP RES. 10K OHM 1/16W 5%	MAIN CBA	RTD164		QCF165030-1030	
R512	264277	CHIP RES. 10K OHM 1/16W 5%	MAIN CBA	RTD164		QCF165030-1030	
R513	264277	CHIP RES. 10K OHM 1/16W 5%	MAIN CBA	RTD164		QCF165030-1030	
R514	264277	CHIP RES. 10K OHM 1/16W 5%	MAIN CBA	RTD164		QCF165030-1030	
R515	264272	CHIP RES. 3.3K OHM 1/16W 5%	MAIN CBA	RTD164		QCF165030-3320	
R516	264281	CHIP RES. 22K OHM 1/16W 5%	MAIN CBA	RTD164		QCF165030-2230	
R517	264271	CHIP RES. 1K OHM 1/16W 5%	MAIN CBA	RTD164		QCF165030-1020	
R518	264409	RES CF 10K OHM 1/6W 5%	MAIN CBA	RTD164		QAF065000-1030	
R525	266680	RESISTOR 100 OHM 1/2 W 5%	MAIN CBA	RTD164		QAF025000-1010	
R526	266681	RES 150 OHM 1/2 W 5% CF	MAIN CBA	RTD164		QAF025000-1510	

Symbol	Stock	Description	Circuit	Model	TypeCode	Drawing	Notes
R527	264409	RES CF 10K OHM 1/6W 5%	MAIN CBA	RTD164		QAF065000-1030	
R528	264268	CHIP RES. 0 OHM JUMP WIRE	MAIN CBA	RTD164		QCF165030-0000	
R529	264268	CHIP RES. 0 OHM JUMP WIRE	MAIN CBA	RTD164		QCF165030-0000	
R530	266643	RES. 3.3K OHM 1/4 W 5% CF	MAIN CBA	RTD164		QCF045010-3320	
R531	266643	RES. 3.3K OHM 1/4 W 5% CF	MAIN CBA	RTD164		QCF045010-3320	
R532	266643	RES. 3.3K OHM 1/4 W 5% CF	MAIN CBA	RTD164		QCF045010-3320	
R533	266643	RES. 3.3K OHM 1/4 W 5% CF	MAIN CBA	RTD164		QCF045010-3320	
R534	266643	RES. 3.3K OHM 1/4 W 5% CF	MAIN CBA	RTD164		QCF045010-3320	
R535	266643	RES. 3.3K OHM 1/4 W 5% CF	MAIN CBA	RTD164		QCF045010-3320	
R536	266643	RES. 3.3K OHM 1/4 W 5% CF	MAIN CBA	RTD164		QCF045010-3320	
R537	266643	RES. 3.3K OHM 1/4 W 5% CF	MAIN CBA	RTD164		QCF045010-3320	
R538	266643	RES. 3.3K OHM 1/4 W 5% CF	MAIN CBA	RTD164		QCF045010-3320	
R539	266643	RES. 3.3K OHM 1/4 W 5% CF	MAIN CBA	RTD164		QCF045010-3320	
R540	264313	CHIP RES. 20 OHM 1/4W 5%	MAIN CBA	RTD164		QCF045010-2000	
R541	264313	CHIP RES. 20 OHM 1/4W 5%	MAIN CBA	RTD164		QCF045010-2000	
R542	264313	CHIP RES. 20 OHM 1/4W 5%	MAIN CBA	RTD164		QCF045010-2000	
R543	264313	CHIP RES. 20 OHM 1/4W 5%	MAIN CBA	RTD164		QCF045010-2000	
R544	264313	CHIP RES. 20 OHM 1/4W 5%	MAIN CBA	RTD164		QCF045010-2000	
R545	264313	CHIP RES. 20 OHM 1/4W 5%	MAIN CBA	RTD164		QCF045010-2000	
R546	264312	CHIP RES. 6.2 OHM 1/4W 5%	MAIN CBA	RTD164		QCF045010-6290	
R547	264312	CHIP RES. 6.2 OHM 1/4W 5%	MAIN CBA	RTD164		QCF045010-6290	
R548	264268	CHIP RES. 0 OHM JUMP WIRE	MAIN CBA	RTD164		QCF165030-0000	
R549	264306	CHIP RES. 220 OHM 1/16W 5%	MAIN CBA	RTD164		QCF165030-2210	
R550	264268	CHIP RES. 0 OHM JUMP WIRE	MAIN CBA	RTD164		QCF165030-0000	
R551	264268	CHIP RES. 0 OHM JUMP WIRE	MAIN CBA	RTD164		QCF165030-0000	
R701	264277	CHIP RES. 10K OHM 1/16W 5%	MAIN CBA	RTD164		QCF165030-1030	
R702	264277	CHIP RES. 10K OHM 1/16W 5%	MAIN CBA	RTD164		QCF165030-1030	
R703	264277	CHIP RES. 10K OHM 1/16W 5%	MAIN CBA	RTD164		QCF165030-1030	
R704	264277	CHIP RES. 10K OHM 1/16W 5%	MAIN CBA	RTD164		QCF165030-1030	
R705	264277	CHIP RES. 10K OHM 1/16W 5%	MAIN CBA	RTD164		QCF165030-1030	
R706	264277	CHIP RES. 10K OHM 1/16W 5%	MAIN CBA	RTD164		QCF165030-1030	
R707	264277	CHIP RES. 10K OHM 1/16W 5%	MAIN CBA	RTD164		QCF165030-1030	
R708	264277	CHIP RES. 10K OHM 1/16W 5%	MAIN CBA	RTD164		QCF165030-1030	
R709	264277	CHIP RES. 10K OHM 1/16W 5%	MAIN CBA	RTD164		QCF165030-1030	
R710	264277	CHIP RES. 10K OHM 1/16W 5%	MAIN CBA	RTD164		QCF165030-1030	
R711	264277	CHIP RES. 10K OHM 1/16W 5%	MAIN CBA	RTD164		QCF165030-1030	
R712	264277	CHIP RES. 10K OHM 1/16W 5%	MAIN CBA	RTD164		QCF165030-1030	
R713	264277	CHIP RES. 10K OHM 1/16W 5%	MAIN CBA	RTD164		QCF165030-1030	
R714	264277	CHIP RES. 10K OHM 1/16W 5%	MAIN CBA	RTD164		QCF165030-1030	
R715	264277	CHIP RES. 10K OHM 1/16W 5%	MAIN CBA	RTD164		QCF165030-1030	
R716	264277	CHIP RES. 10K OHM 1/16W 5%	MAIN CBA	RTD164		QCF165030-1030	
R717	264277	CHIP RES. 10K OHM 1/16W 5%	MAIN CBA	RTD164		QCF165030-1030	
R718	264271	CHIP RES. 1K OHM 1/16W 5%	MAIN CBA	RTD164		QCF165030-1020	
R719	264271	CHIP RES. 1K OHM 1/16W 5%	MAIN CBA	RTD164		QCF165030-1020	
R720	264271	CHIP RES. 1K OHM 1/16W 5%	MAIN CBA	RTD164		QCF165030-1020	
R721	264398	CHIP RES. 560 OHM 1/16W 5 %	MAIN CBA	RTD164		QCF165030-5610	
R722	264398	CHIP RES. 560 OHM 1/16W 5 %	MAIN CBA	RTD164		QCF165030-5610	
R723	264277	CHIP RES. 10K OHM 1/16W 5%	MAIN CBA	RTD164		QCF165030-1030	
R724	264291	CHIP RES. 100K OHM 1/16W 5%	MAIN CBA	RTD164		QCF165030-1040	
R725	264281	CHIP RES. 22K OHM 1/16W 5%	MAIN CBA	RTD164		QCF165030-2230	
R726	264273	CHIP RES. 4.7K OHM 1/16W 5 %	MAIN CBA	RTD164		QCF165030-4720	
R727	264290	CHIP RES. 100 OHM 1/16W 5%	MAIN CBA	RTD164		QCF165030-1010	
R728	264290	CHIP RES. 100 OHM 1/16W 5%	MAIN CBA	RTD164		QCF165030-1010	
R729	264290	CHIP RES. 100 OHM 1/16W 5%	MAIN CBA	RTD164		QCF165030-1010	
R730	264290	CHIP RES. 100 OHM 1/16W 5%	MAIN CBA	RTD164		QCF165030-1010	
R731	264291	CHIP RES. 100K OHM 1/16W 5%	MAIN CBA	RTD164		QCF165030-1040	
R733	264271	CHIP RES. 1K OHM 1/16W 5%	MAIN CBA	RTD164		QCF165030-1020	
R738	264277	CHIP RES. 10K OHM 1/16W 5%	MAIN CBA	RTD164		QCF165030-1030	
RA101	264294	RES ARRAY 33 OHMX4 1/10W 5%	MAIN CBA	RTD164		QCP015081-3300	
RA102	264294	RES ARRAY 33 OHMX4 1/10W 5%	MAIN CBA	RTD164		QCP015081-3300	
RA103	264294	RES ARRAY 33 OHMX4 1/10W 5%	MAIN CBA	RTD164		QCP015081-3300	
RA105	264293	RES ARRAY 10 OHMX4 1/10W 5%	MAIN CBA	RTD164		QCP015081-1000	
RA106	264293	RES ARRAY 10 OHMX4 1/10W 5%	MAIN CBA	RTD164		QCP015081-1000	
RA107	264293	RES ARRAY 10 OHMX4 1/10W 5%	MAIN CBA	RTD164		QCP015081-1000	
RA108	264294	RES ARRAY 33 OHMX4 1/10W 5%	MAIN CBA	RTD164		QCP015081-3300	
RB104	266636	WIRE 4PIN 50MM	MAIN CBA	RTD164		VFL401245-0500	
RB302	266637	WIRE 7PIN 80MM	MAIN CBA	RTD164		VFL704312-0800	
RB304	266638	WIRE 4PIN 80MM	MAIN CBA	RTD164		VVA310060-0001	
RB701	266639	WIRE 8PIN 260MM	MAIN CBA	RTD164		VFL801245-2600	
RB702	266640	D/WIRE 6PIN 120MM	MAIN CBA	RTD164		VFL601245-1200	
RCA CA	266718	RCA CABLE 1500MM OD2.6MM BLK	INSTRUMENT	RTD164		VRC101008-0020	
REMOTE	266719	REMOTE CONTROL 41 KEYS	INSTRUMENT	RTD164		WIR241001-CL07	
SN701	264450	SENSOR 2.4V 56.7KHZ MIM	MAIN CBA	RTD164		RHO001356-2002	
SPEAKER	N/S/P	DEALER PURCHASED W/O SPEAKERS	INSTRUMENT	RTD164		XXXX	
TA701	266641	TACT SWITCH L5.85MM TS6601VB	MAIN CBA	RTD164		MVW006002-0010	
TA702	266641	TACT SWITCH L5.85MM TS6601VB	MAIN CBA	RTD164		MVW006002-0010	
TA703	266641	TACT SWITCH L5.85MM TS6601VB	MAIN CBA	RTD164		MVW006002-0010	
TA704	266641	TACT SWITCH L5.85MM TS6601VB	MAIN CBA	RTD164		MVW006002-0010	
TA705	266641	TACT SWITCH L5.85MM TS6601VB	MAIN CBA	RTD164		MVW006002-0010	
TA706	266641	TACT SWITCH L5.85MM TS6601VB	MAIN CBA	RTD164		MVW006002-0010	

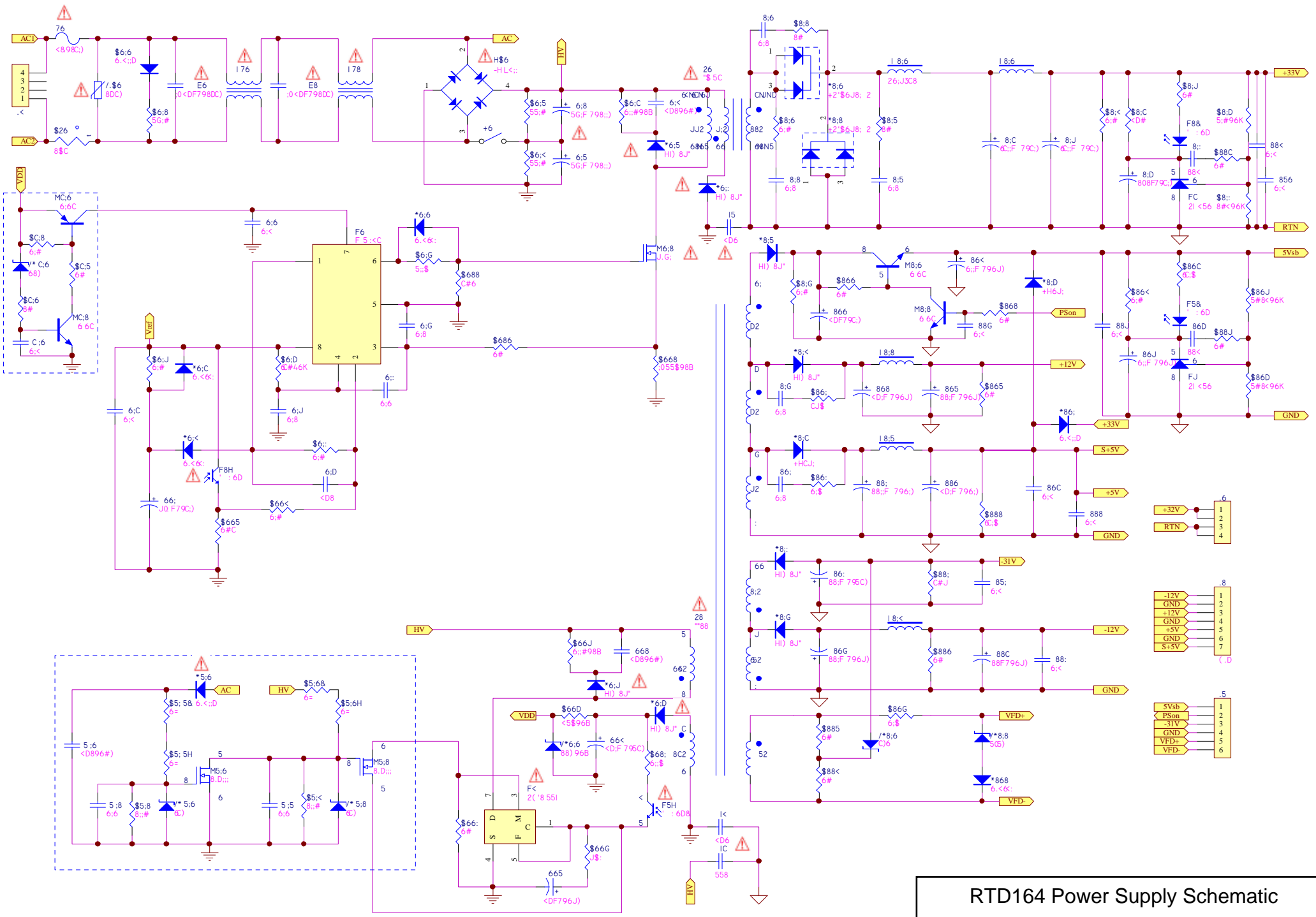
Symbol	Stock	Description	Circuit	Model	TypeCode	Drawing	Notes
TA707	266641	TACT SWITCH L5.85MM TS6601VB	MAIN CBA	RTD164		MVW006002-0010	
TA708	264446	SW TACT SKHVBE3520 ALPS	MAIN CBA	RTD164		MAW060001-0010	
VR701	266642	ROTARY ENCODER EC121102F2B-HA1	MAIN CBA	RTD164		MSW005012-0110	
XL101	266667	CRYSTAL 27 MHZ HC-49US	MAIN CBA	RTD164		JQC021000-2760	
XL701	264449	CRYSTAL 4.5000MHZ	MAIN CBA	RTD164		JQC023102-4550	
ZD102	264340	CHIP ZENER 7.5V 5% 0.5W	MAIN CBA	RTD164		RCZ005007-0021	
ZD103	264340	CHIP ZENER 7.5V 5% 0.5W	MAIN CBA	RTD164		RCZ005007-0021	
ZD104	264340	CHIP ZENER 7.5V 5% 0.5W	MAIN CBA	RTD164		RCZ005007-0021	
ZD105	264340	CHIP ZENER 7.5V 5% 0.5W	MAIN CBA	RTD164		RCZ005007-0021	
ZD106	264340	CHIP ZENER 7.5V 5% 0.5W	MAIN CBA	RTD164		RCZ005007-0021	
ZD107	264340	CHIP ZENER 7.5V 5% 0.5W	MAIN CBA	RTD164		RCZ005007-0021	
ZD108	264340	CHIP ZENER 7.5V 5% 0.5W	MAIN CBA	RTD164		RCZ005007-0021	
ZD109	264340	CHIP ZENER 7.5V 5% 0.5W	MAIN CBA	RTD164		RCZ005007-0021	
ZD110	264340	CHIP ZENER 7.5V 5% 0.5W	MAIN CBA	RTD164		RCZ005007-0021	
ZD111	264340	CHIP ZENER 7.5V 5% 0.5W	MAIN CBA	RTD164		RCZ005007-0021	
ZD302	264341	CHIP ZENER 5.6V 5% 0.5W	MAIN CBA	RTD164		RCZ005006-0011	
ZD303	264341	CHIP ZENER 5.6V 5% 0.5W	MAIN CBA	RTD164		RCZ005006-0011	
ZD701	264341	CHIP ZENER 5.6V 5% 0.5W	MAIN CBA	RTD164		RCZ005006-0011	

# RTD164 Front/Display Schematic



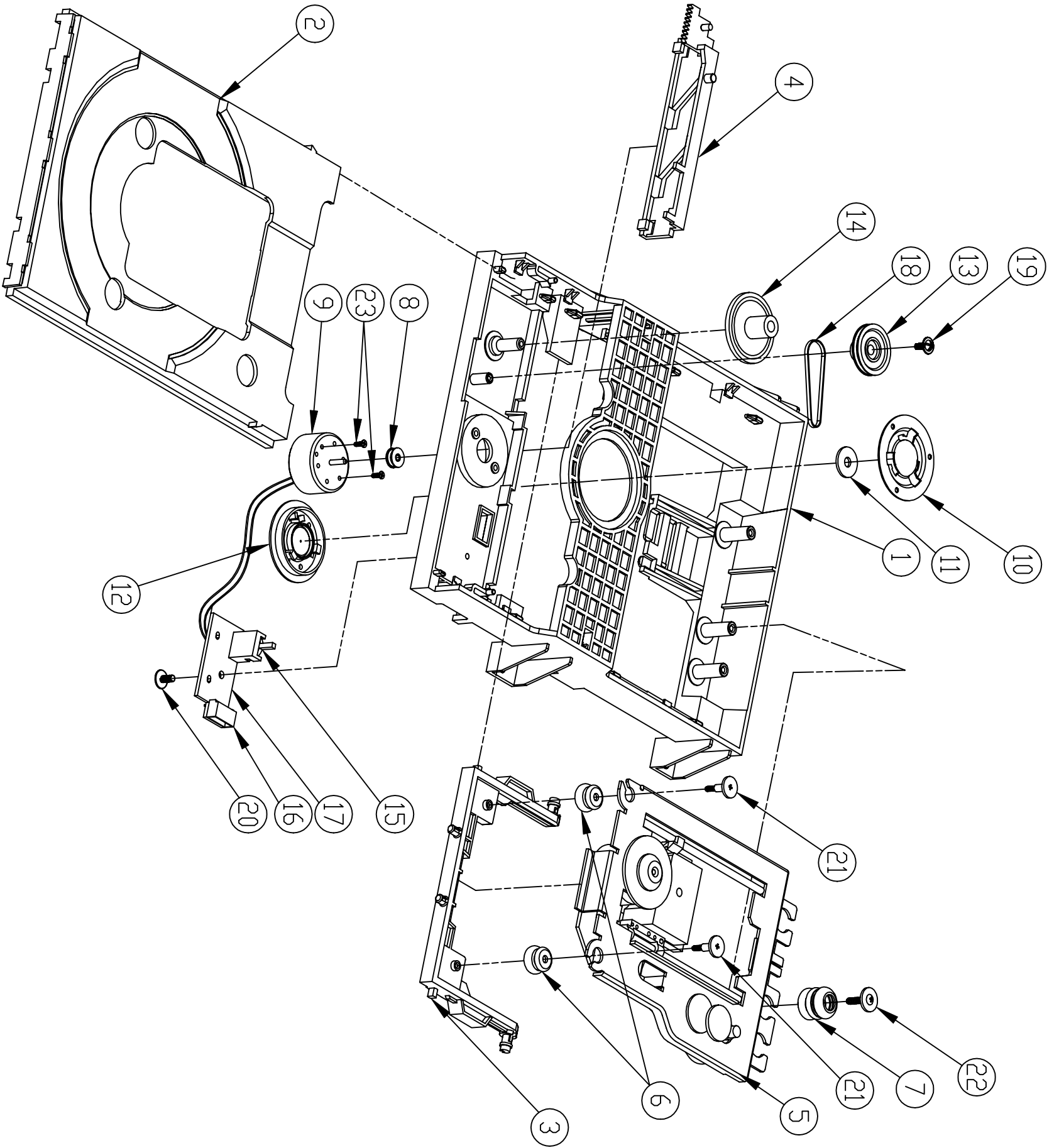


RTD164 Main Board Schematic

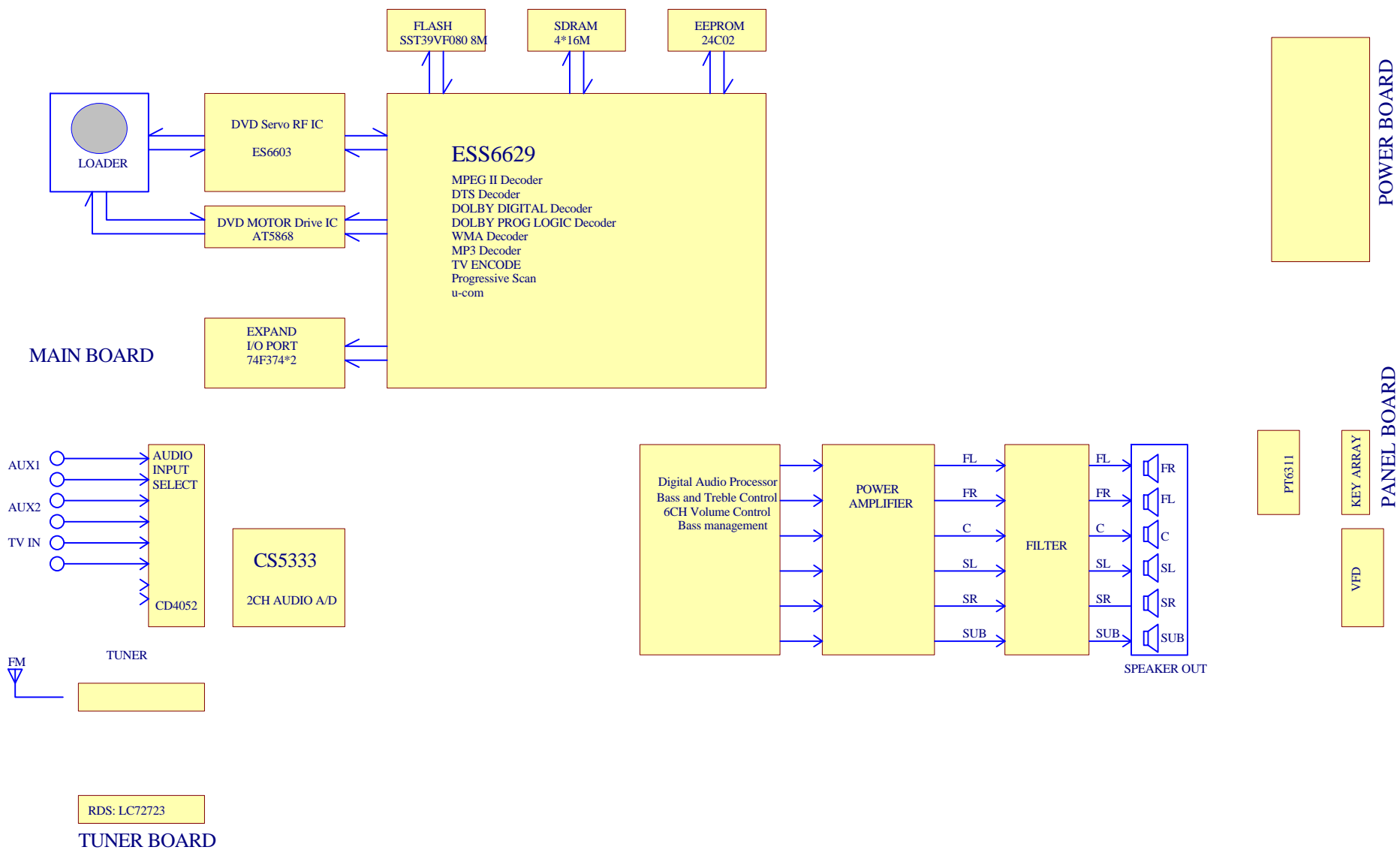


RTD164 Power Supply Schematic

RTD164 DVD Mechanism Exploded View



# RTD164 Block Diagram





RTD164 Cabinet/Instrument Exploded View

All numbers start with I-

