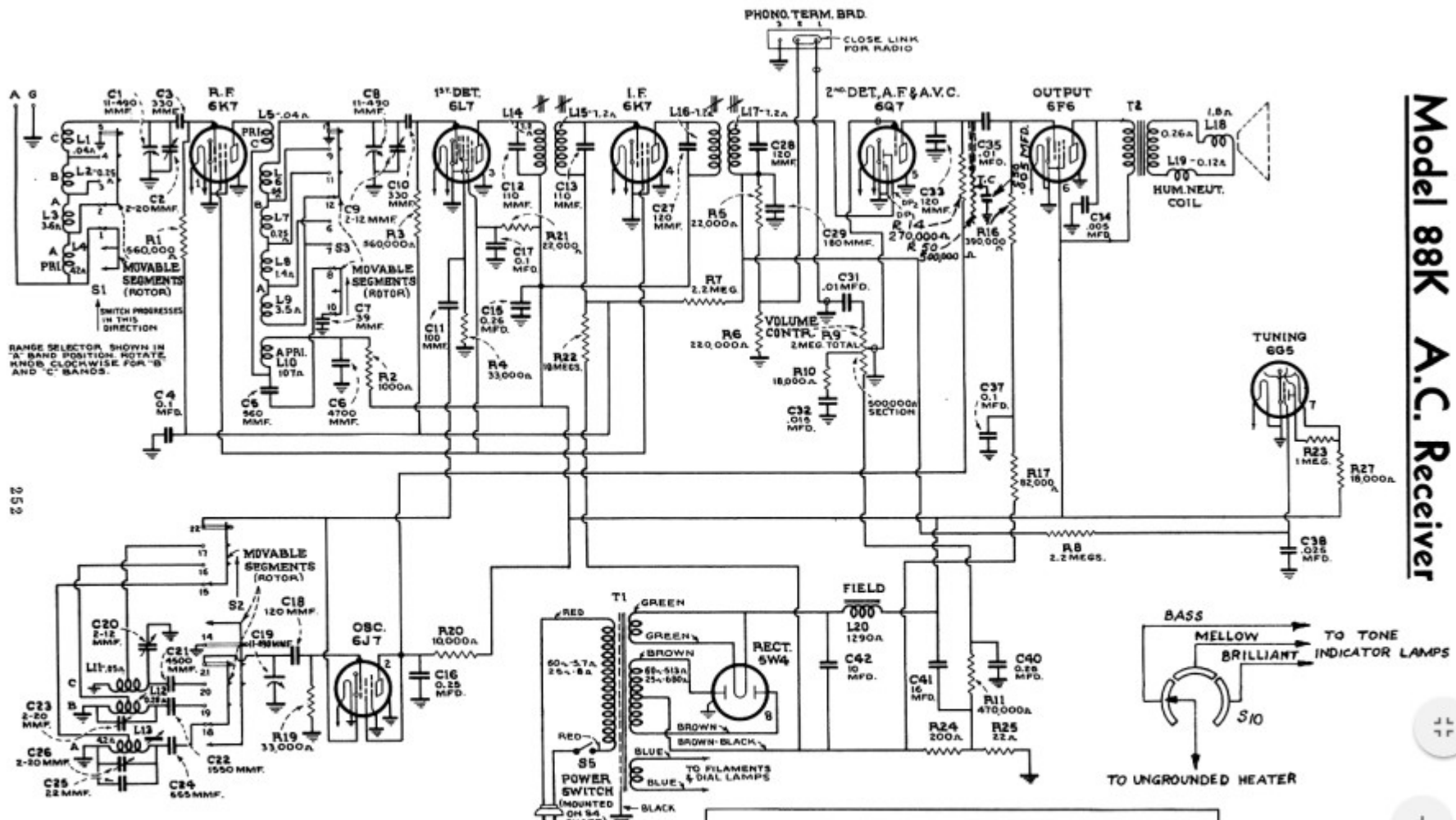


Model 88K A.C. Receiver



ALIGNMENT PROCEDURE

Oscillator (A) 600 K.C., 1500 K.C.
 Oscillator (B) 6,000 K.C.
 R.F., Det. & Osc. (C) 20,000 K.C.
 Intermediate Frequency 460 K.C.
 Peak all stages.

Note:—Alignment of Band (C) R.F. & Det. stages must be accurate as Bands (A & B) R.F. & Det. stages depend solely upon this adjustment.

JL 17

