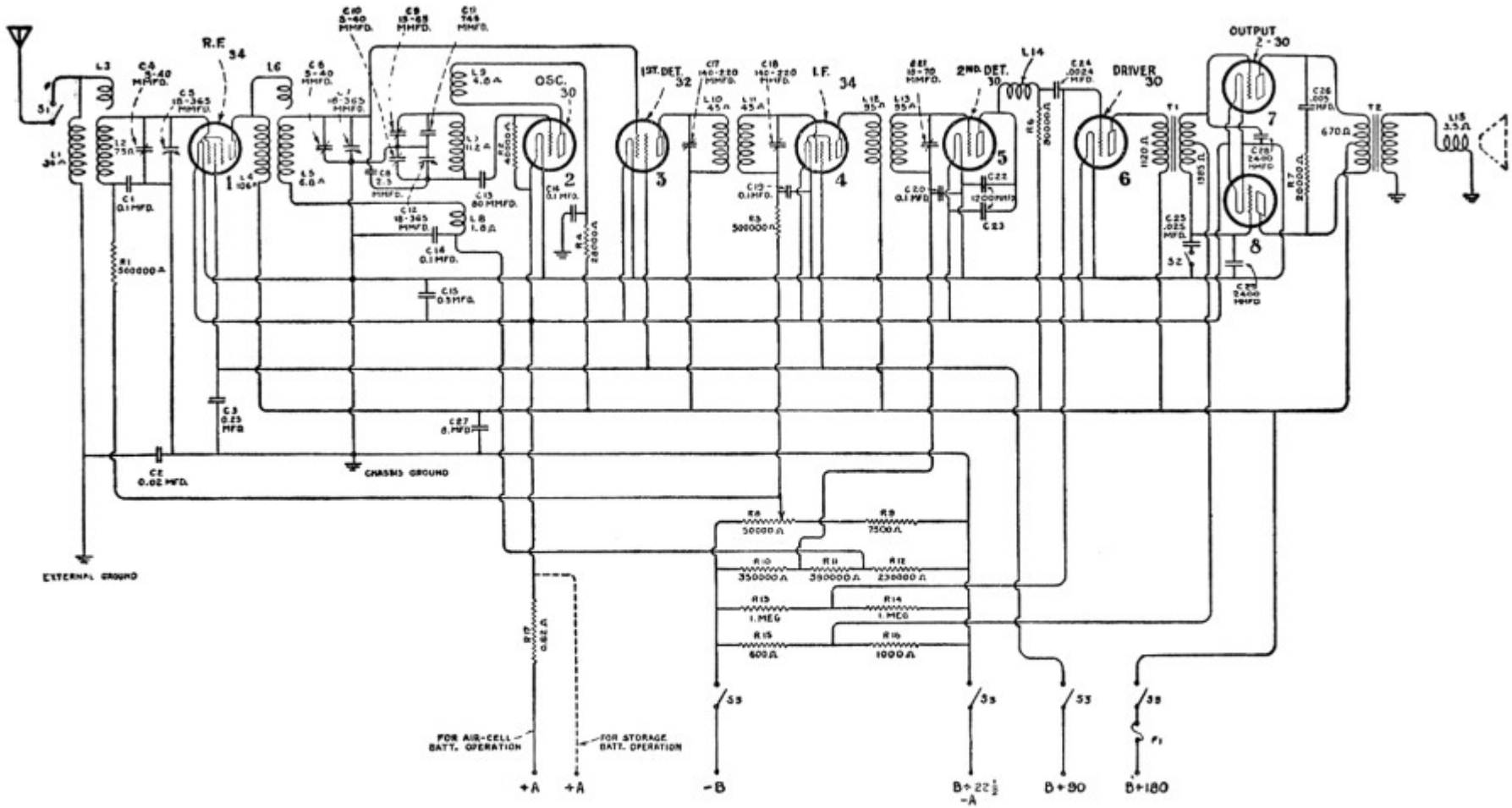


Models R-87 & R-88 Battery Receivers



Schematic Circuit Diagram

ALIGNMENT PROCEDURE	
R.F. & Det. Stages	1400 K.C.
Oscillator Stage	600 K.C., 1400 K.C.
Intermediate Frequency	175 K.C.
Align all stages for maximum peak.	