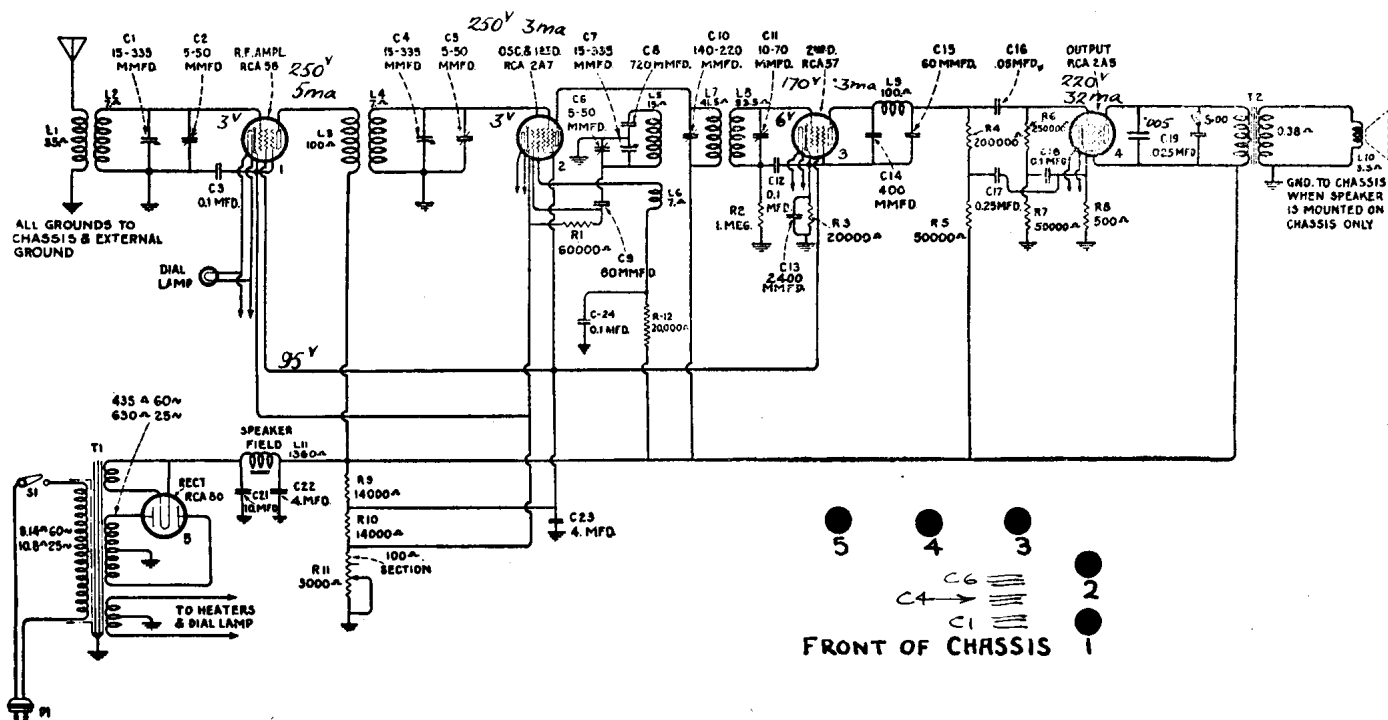
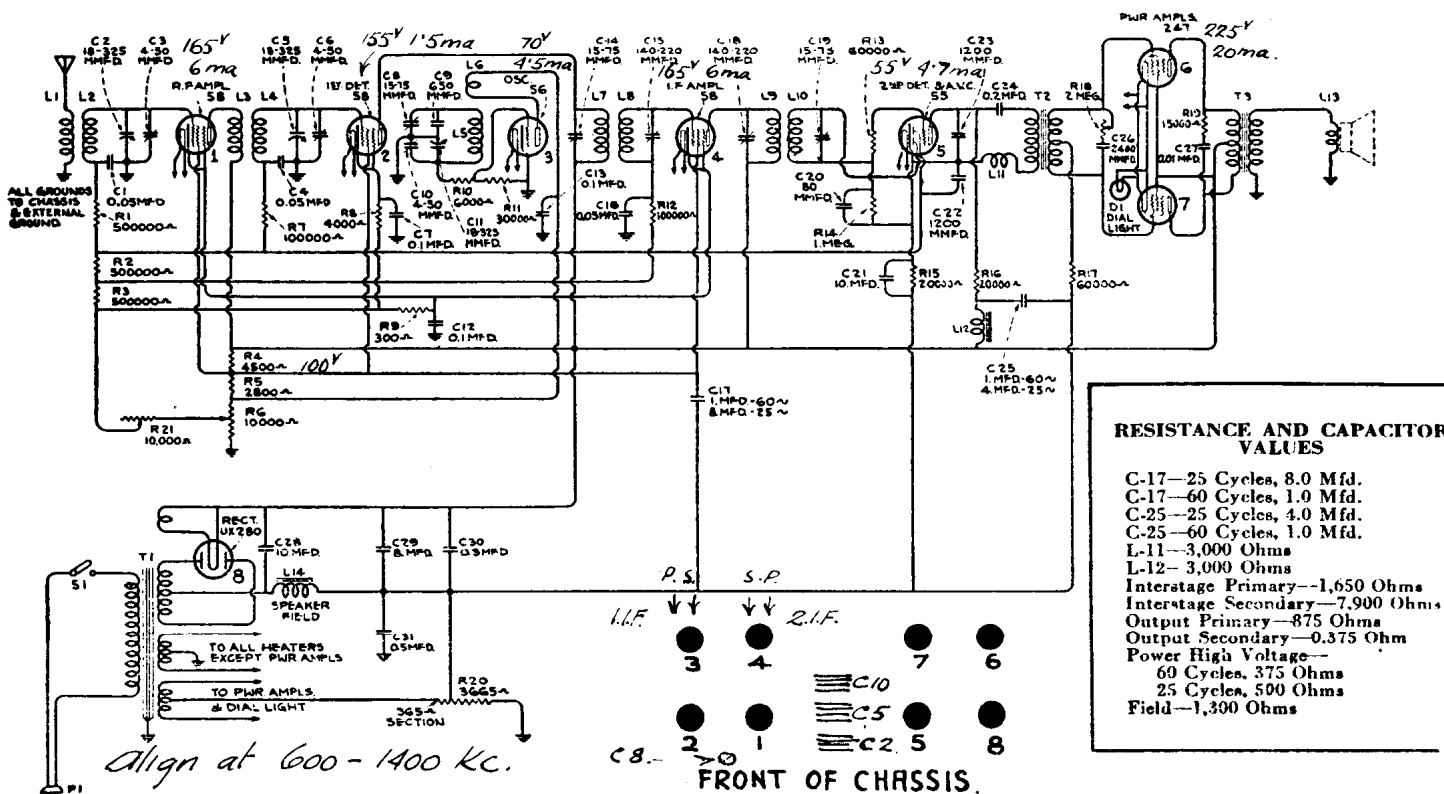


# Model R28-28b-28-d-28f 1932-33 IF. 175 KC.



# MODELS R 53-80 1933 IF. 175 K.C.



**RESISTANCE AND CAPACITOR VALUES**

- C-17—25 Cycles, 8.0 Mfd.
- C-17—60 Cycles, 1.0 Mfd.
- C-25—25 Cycles, 4.0 Mfd.
- C-25—60 Cycles, 1.0 Mfd.
- L-11—3,000 Ohms
- L-12—3,000 Ohms
- Interstage Primary—1,650 Ohms
- Interstage Secondary—7,900 Ohms
- Output Primary—875 Ohms
- Output Secondary—0.375 Ohm
- Power High Voltage—
  - 60 Cycles, 375 Ohms
  - 25 Cycles, 500 Ohms
- Field—1,300 Ohms

—Courtesy Victor Talking Machine Co. Limited.

**DATA SHEET**

Printed in Canada

**VICTOR-II**