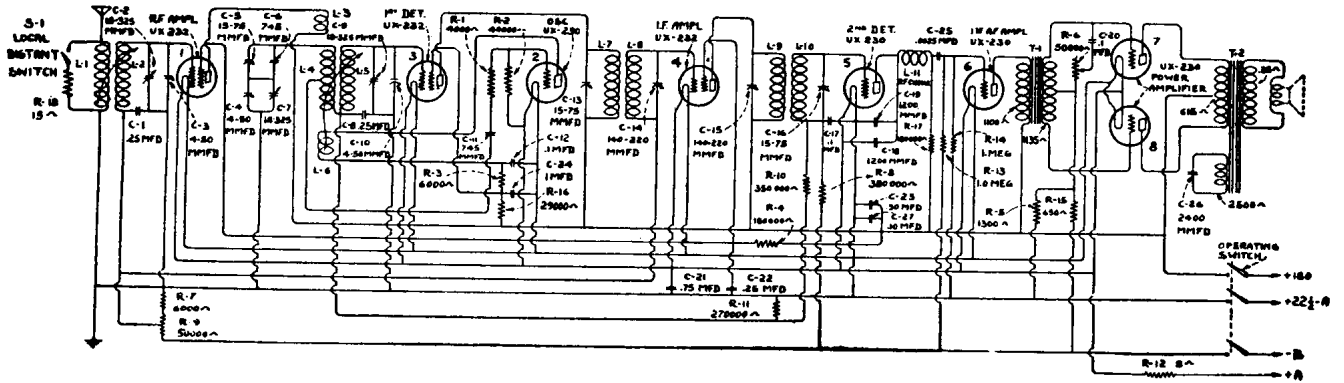
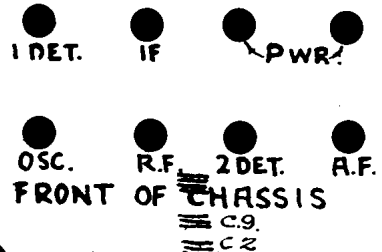


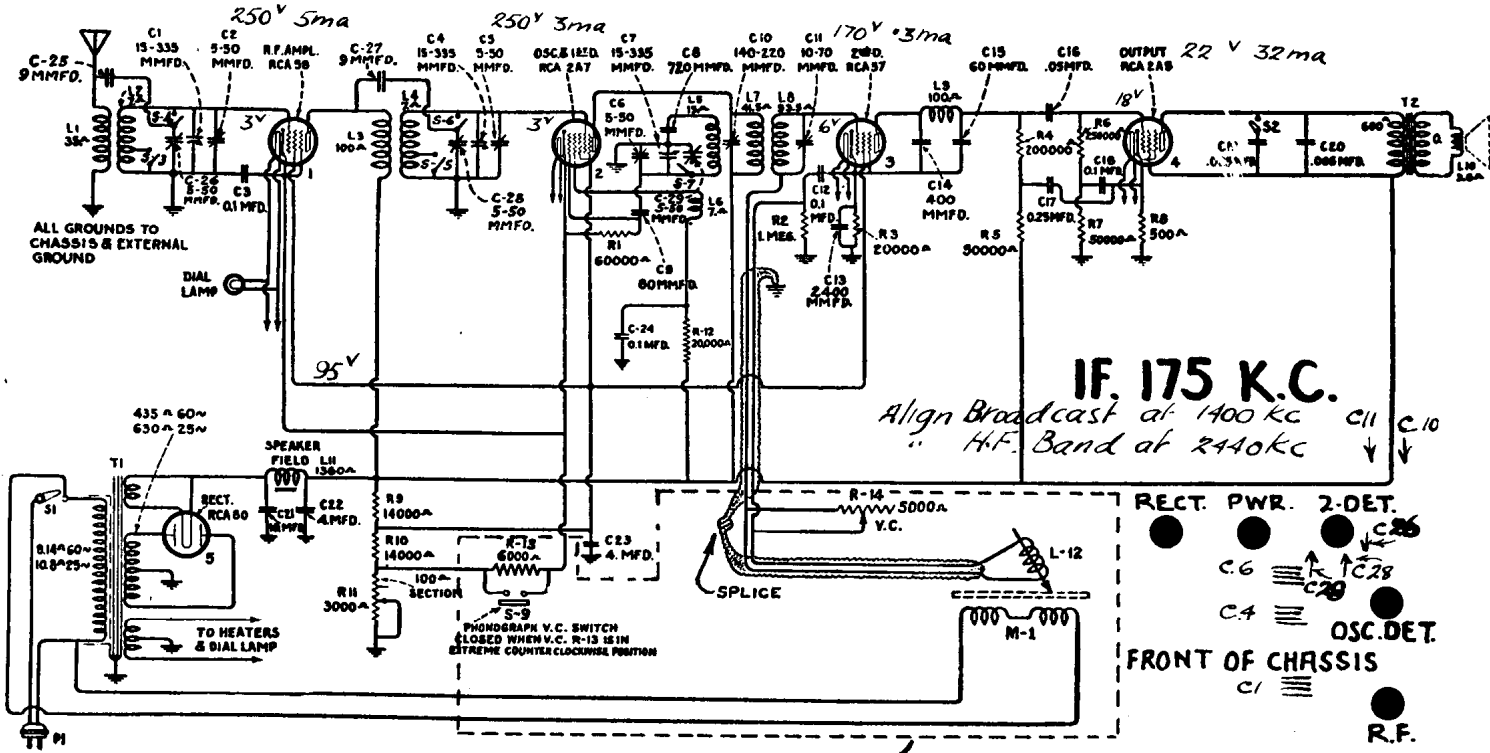
# Model - R30 1932-33 IF. 175 K.C.



TUBE	GRID-V.	VOLUME CONTROL AT MAXIMUM PLATE V.		
1	1.5	45 SCREEN V	150 PLATE V	2.5
2	—	—	50	3.0
3	0.5	60	150	0.5
4	1.5	45	150	2.5
5	5.0	—	90	0
6	2.0	—	150	2.5
7	15.0	—	150	.5
8	15.0	—	150	.5



# Models - 29-31-210-115-33 (COMB) 1933-34



## DATA SHEET

—Courtesy Victor Talking Machine Co. Limited.  
Printed in Canada

## VICTOR-13