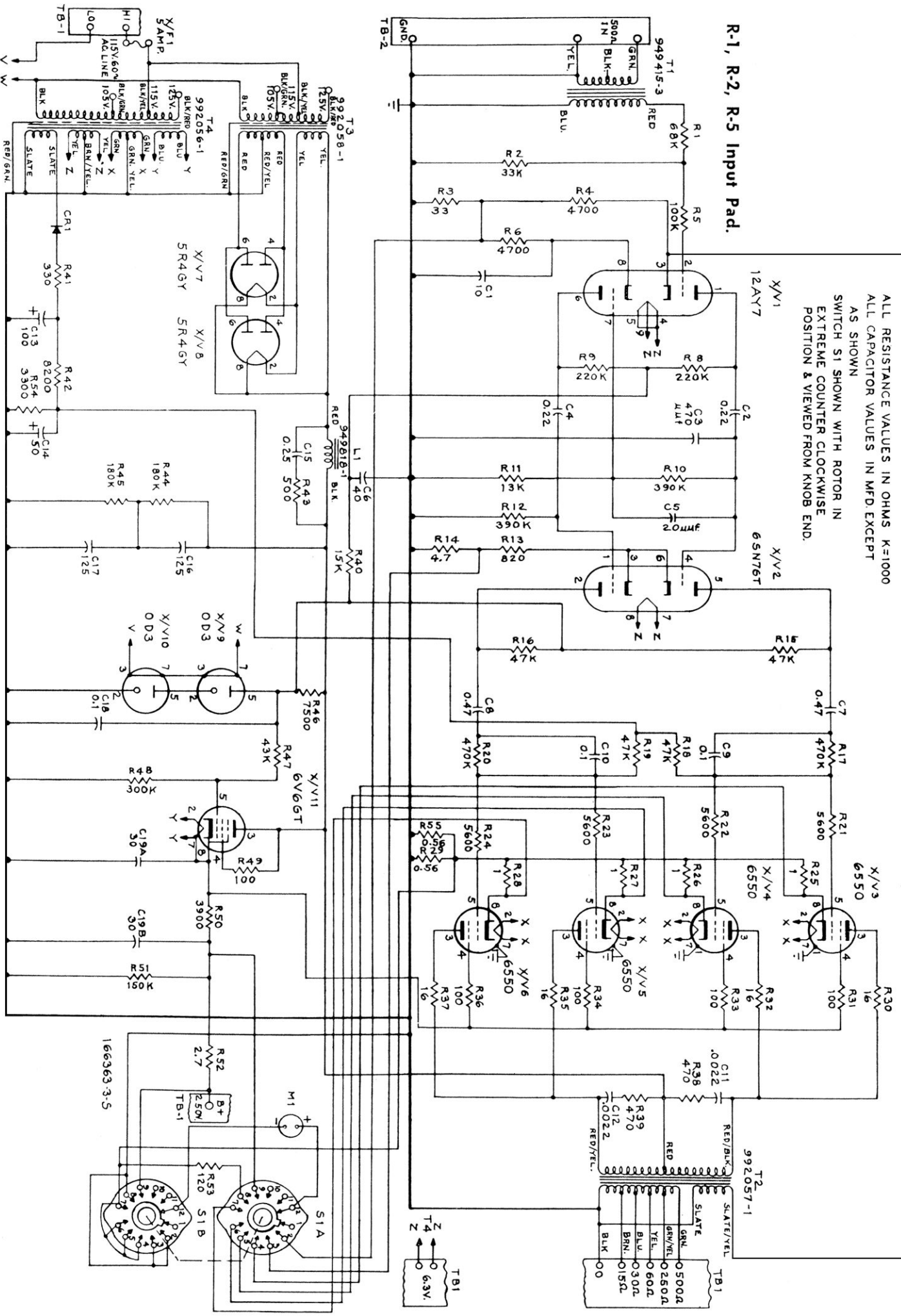


Schematic Diagram, MI-9289 Power Amplifier.

ALL RESISTANCE VALUES IN OHMS K=1000
 ALL CAPACITOR VALUES IN MFD. EXCEPT
 AS SHOWN
 SWITCH S1 SHOWN WITH ROTOR IN
 EXTREME COUNTER CLOCKWISE
 POSITION & VIEWED FROM KNOB END.

R7
 1.5MEG.



R-1, R-2, R-5 Input Pad.

T8-2

T8-1

T3

T4

T5

T6

T7

T8

T9

T10

T11

T12

T13

T14

T15

T16

T17

T18

T19

T20

T21

T22

T23

T24

T25

T26

T27

T28

T29

T30

T31

T32

T33

T34

T35

T36

T37

T38

T39

T40

T41

T42

T43

T44

T45

T46

T47

T48

T49

T50