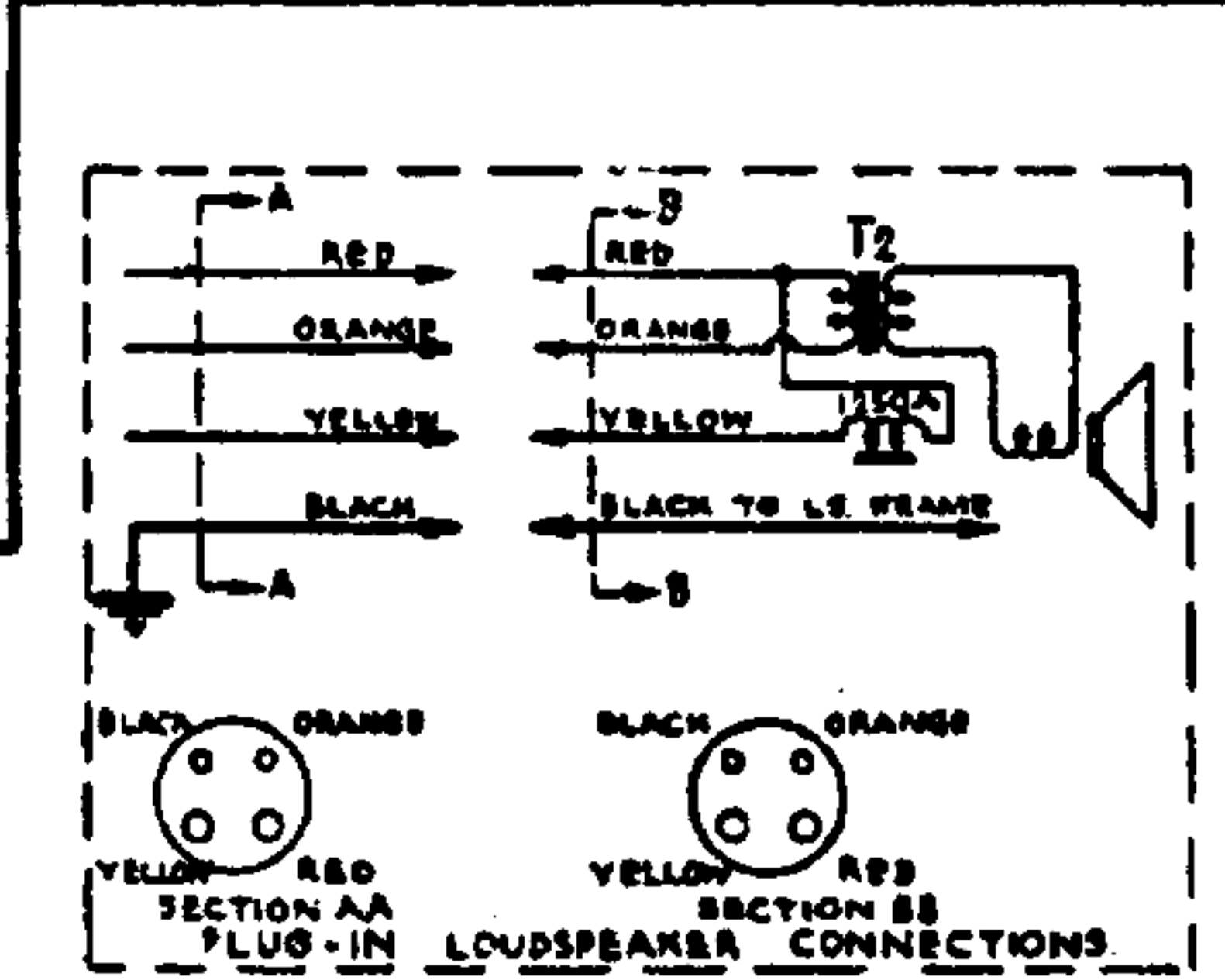
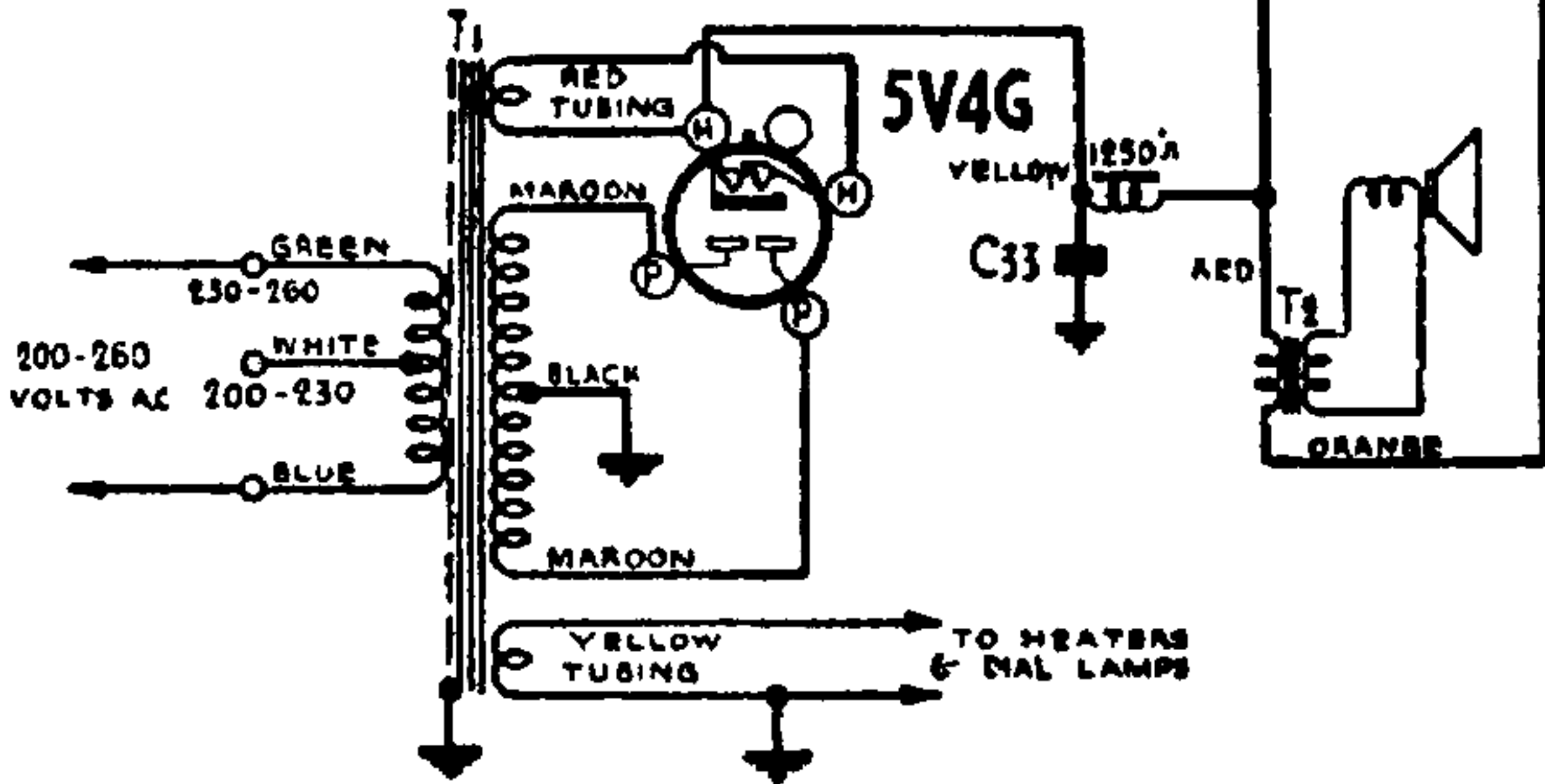
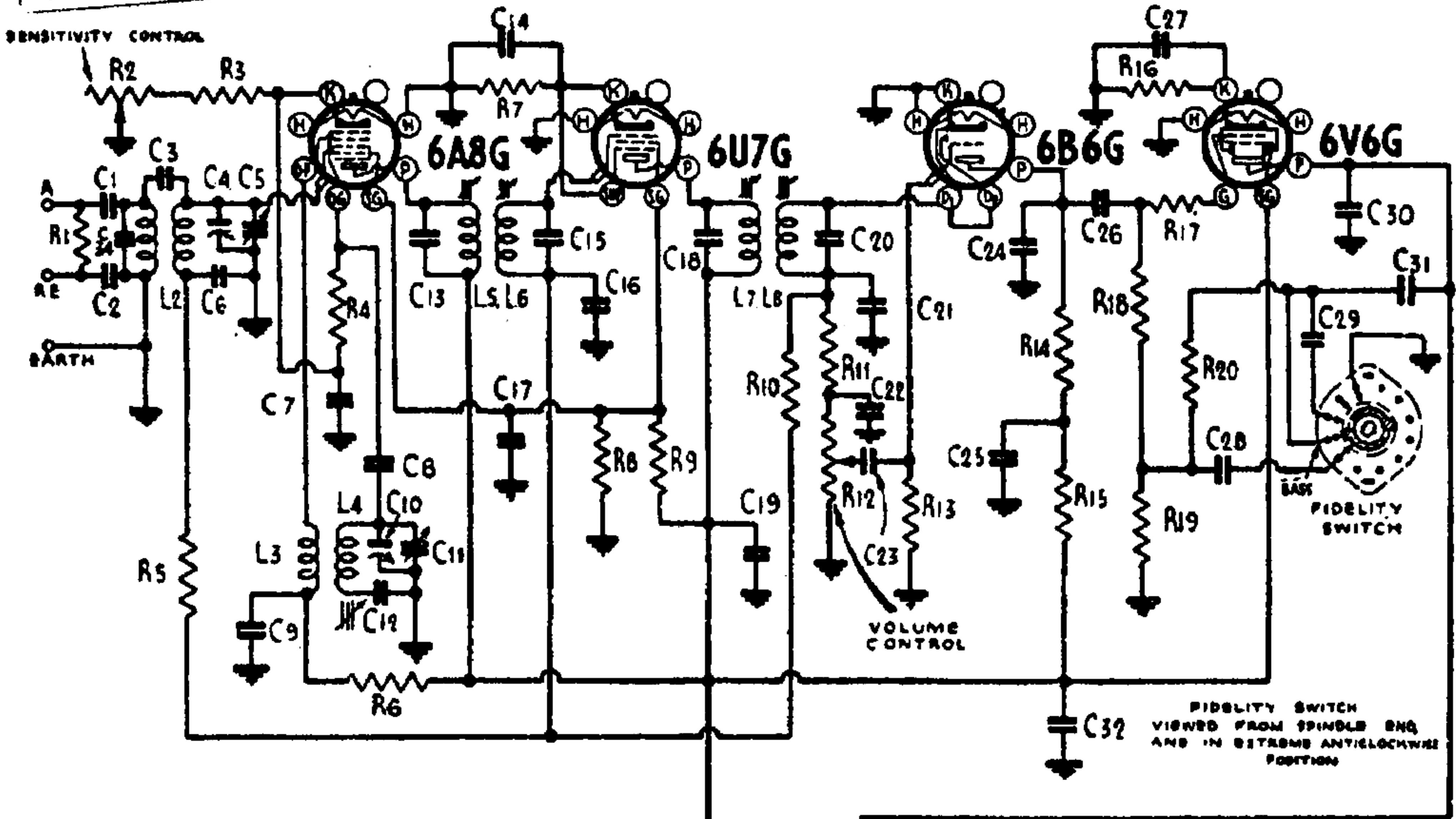


# FISK RADIOLA R81



Code No	RESISTORS
R1	100,000 ohms 1/3 W
R2	1.500 ohms Sens. Control.
R3	100 ohms 1/3 W.
R4	50,000 ohms 1/3 W.
R5	100,000 ohms 1/3 W
R6	20,000 ohms 1 W.
R7	900 ohms 1/3 W.
R8	30,000 ohms 2 W.
R9	20,000 ohms 2 W.
R10	1.75 megohms 1/3 W
RH	60,000 ohms 1/3 W
R12	500,000 ohms Vol. Control
R1J	10 megohms 1 W
RH	200,000 ohms 1 W
R15	20,000 ohms 1 W
R16	250 ohms 3 W.
R17	50,000 ohms 1/3 W
R18	390,000 ohms 1/3 W.
R19	50,000 ohms 1/3 W
R20	250,000 ohms 1/3 W

Code No	CONDENSERS
C1	500 mmfd. mica
C2	500 mmfd. mica.
C3	4 mmfd. mica.
C4	2-20 mmfd. air trim
C5	Tuning Condenser.
C6	.05 mfd. paper
C7	.1 mfd. paper.
C8	70 mmfd. Mica.
C9	05 mfd paper.
C10	11-29 mmfd. Air Trim.
C11	Tuning Condenser.
C12	420 mmfd. mica (Padder).
C13	C15 70 mmfd. mica (N).
C14	1 mfd. paper..
C16	.05 mfd. paper.
C17	.1 mfd. paper,
C18	70 mmfd. mica (N).

C19	.1 mfd. paper.
C20	70 mmfd. mica (N).
C21	110 mmfd. mica (L).
C22	110 mmfd. mica (L).
C23	.01 mfd. paper.
C24	110 mmfd. mica (L).
C25	.5 mfd paper.
C26	.02 mfd paper.
C27	25 mfd. 25V. electro
C28	2,000 mmfd mica.
C29	700 mmfd. mica.
C30	.0025 mfd. paper
C31	.05 mfd. paper
C32	8 mfd. 450V. electro
C33	16 mfd. 500V. electro
C34	50 mmfd. mica (D).