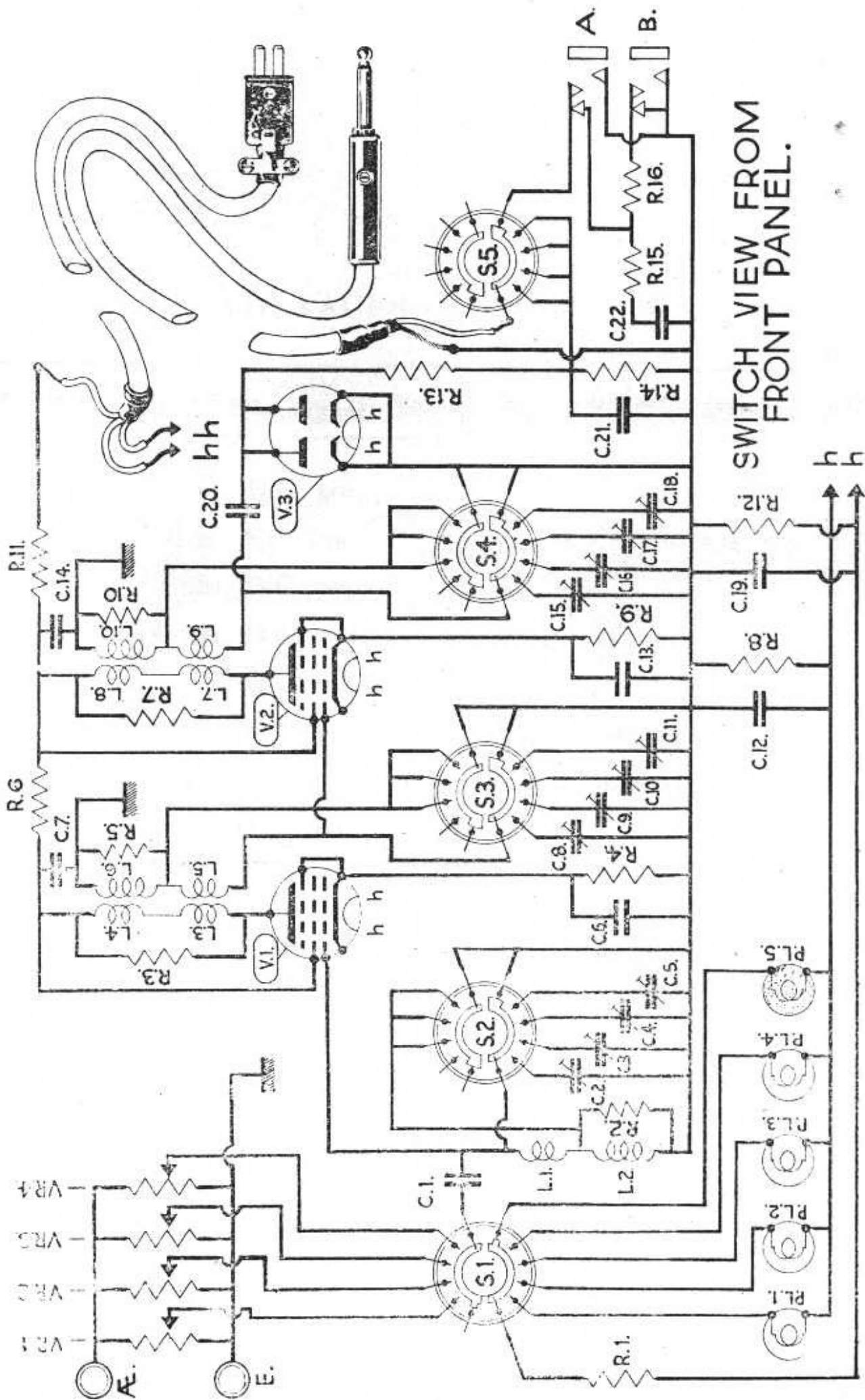


COMPONENTS LIST

R.1	5 ohms.	3 watt	± 10%	C.3	75-450 pf.	500v. D.C.	wkg.
R.2	50,000 ohms.	$\frac{1}{4}$ watt	± 10%	C.4	100-580 pf.	500v. D.C.	wkg.
R.3	15,000 ohms.	$\frac{1}{4}$ watt	± 10%	C.5	75-450 pf.	500v. D.C.	wkg.
R.4	1,500 ohms.	$\frac{1}{2}$ watt	± 10%	C.6	0.1 mfd.	150v. D.C.	wkg.
R.5	50,000 ohms.	$\frac{1}{4}$ watt	± 10%	C.7	0.1 mfd.	350v. D.C.	wkg.
R.6	100,000 ohms.	$\frac{1}{4}$ watt	± 10%	C.8	20-250 pf.	500v. D.C.	wkg.
R.7	15,000 ohms.	$\frac{1}{4}$ watt	± 10%	C.9	75-450 pf.	500v. D.C.	wkg.
R.8	27,000 ohms.	$\frac{1}{4}$ watt	± 10%	C.10	100-580 pf.	500v. D.C.	wkg.
R.9	1,500 ohms.	$\frac{1}{2}$ watt	± 10%	C.11	75-450 pf.	500v. D.C.	wkg.
R.10	50,000 ohms.	$\frac{1}{4}$ watt	± 10%	C.12	0.01 mfd.	350v. D.C.	wkg.
R.11	27,000 ohms.	$\frac{1}{4}$ watt	± 10%	C.13	0.1 mfd.	150v. D.C.	wkg.
R.12	27,000 ohms.	$\frac{1}{4}$ watt	± 10%	C.14	0.1 mfd.	350v. D.C.	wkg.
R.13	470,000 ohms.	$\frac{1}{4}$ watt	± 10%	C.15	20-250 pf.	500v. D.C.	wkg.
R.14	4,700 ohms.	$\frac{1}{4}$ watt	± 10%	C.16	75-450 pf.	500v. D.C.	wkg.
R.15	10,000 ohms.	$\frac{1}{4}$ watt	± 10%	C.17	100-580 pf.	500v. D.C.	wkg.
R.16	50,000 ohms.	$\frac{1}{4}$ watt	± 10%	C.18	75-450 pf.	500v. D.C.	wkg.
V.R.1, V.R.2, V.R.3, V.R.4	50,000 ohms linear 10%			C.19	0.01 mfd.	350v. D.C.	wkg.
C.1	45 pf. silvered mica.			C.20	45 pf. silvered mica.		
C.2	20-250 pf. 500v. D.C. wkg.			C.21	600 pf. moulded mica.		
				C.22	0.05 mfd. 250v. D.C. wkg.		

S.1	} Switch P/No. 661F.	L.3	} 1st Inter-stage coil.	P.L.1	} 6.5v. 0.3A.	
S.2		L.4		P.L.2		
S.3		L.5		P.L.3		
S.4		L.6		P.L.4		
S.5				P.L.5		Mes. Bu'bs.
L.1	} Aerial Coil.	L.7	} 2nd Inter-stage coil.	V.1	E.F.36	} R.F. Pentode
L.2		L.8		V.2	E.F.36	
		L.9		V.3	E.B.34	
		L.10				



SWITCH VIEW FROM FRONT PANEL.