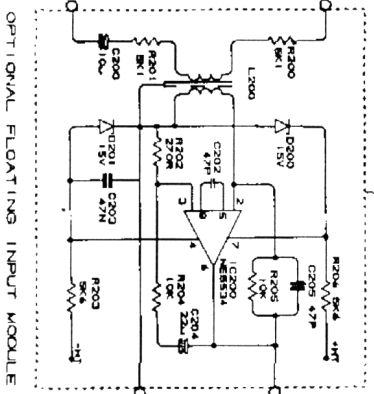
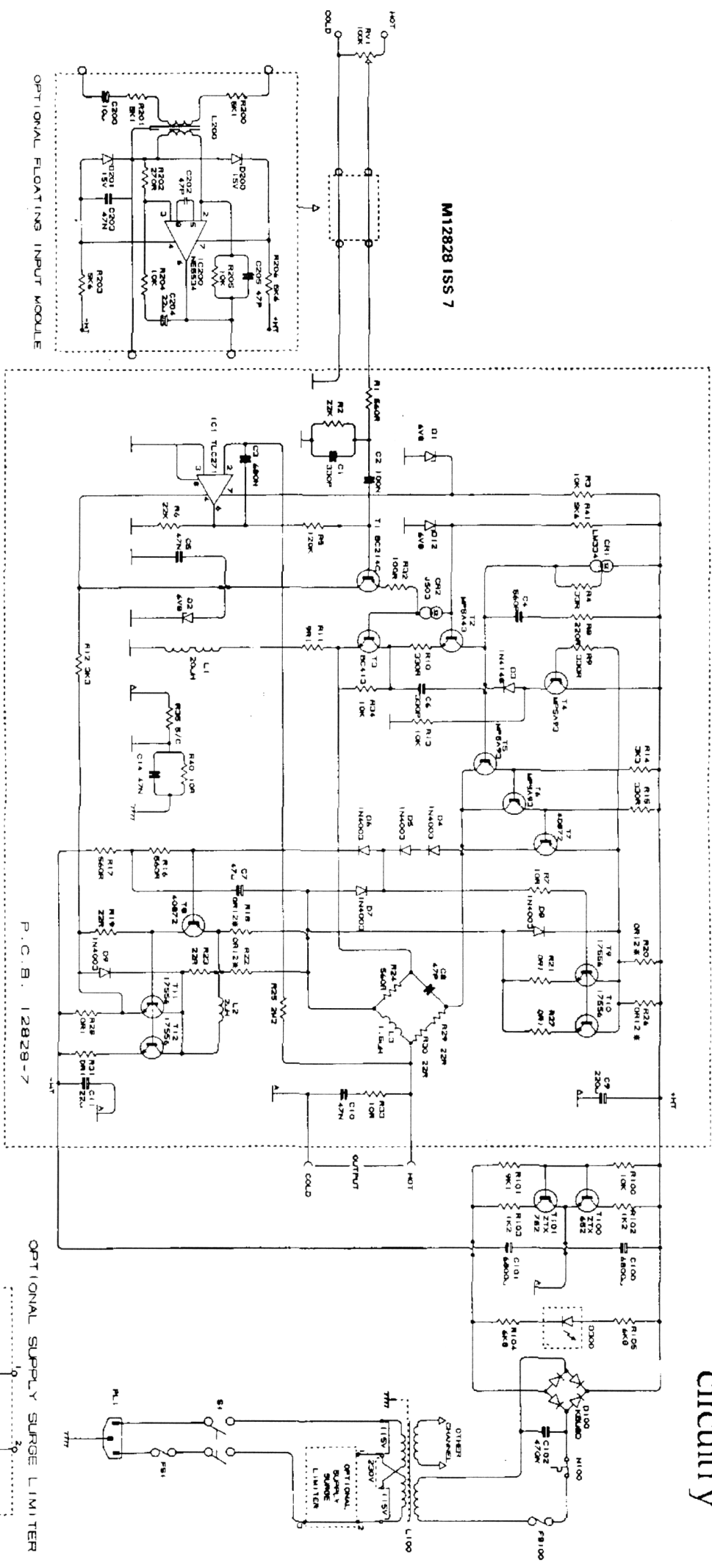


# QUAD 520F instruction book circuitry



■ VALUE SUBJECT TO CHANGE

