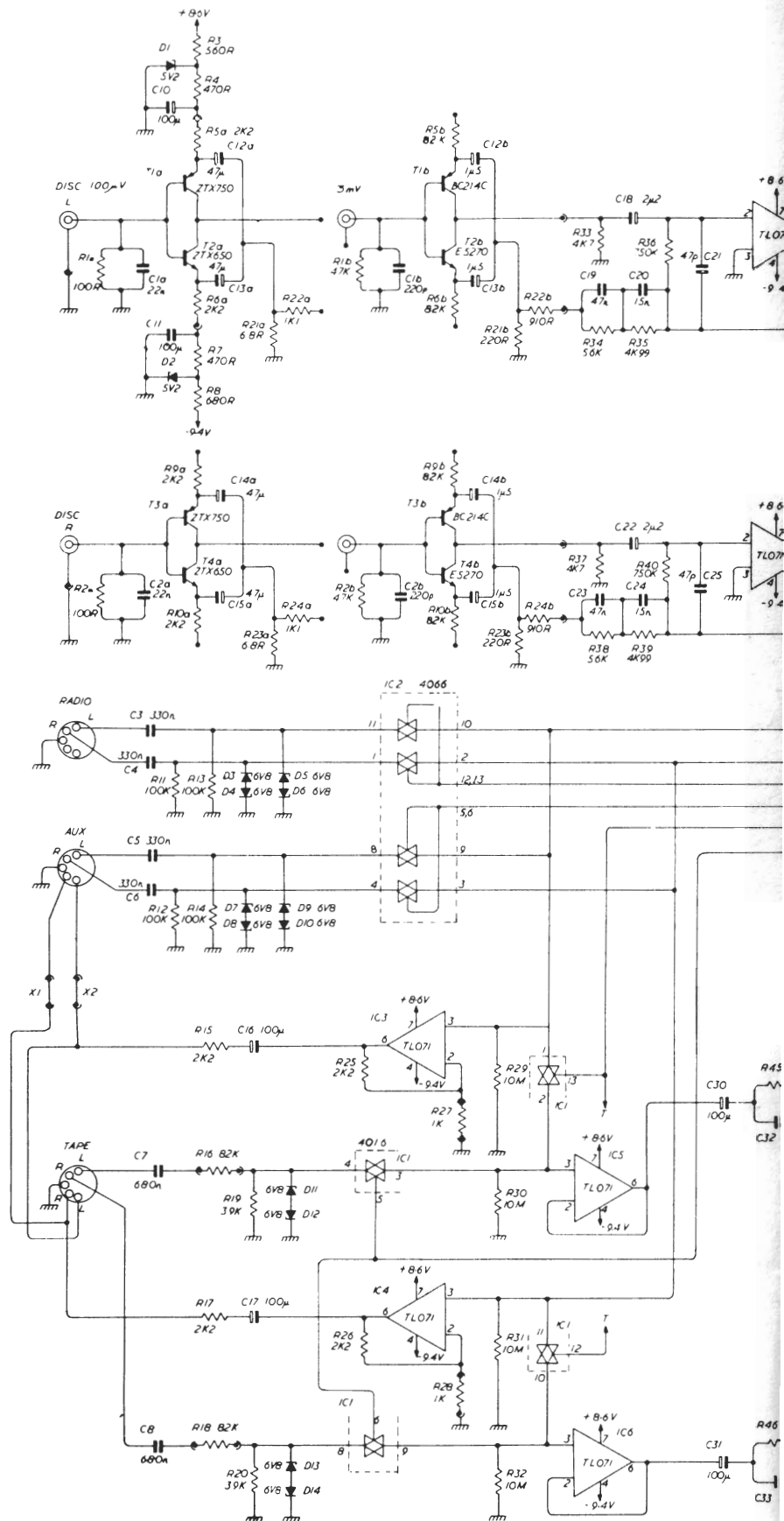


circuit diagram

M12746 ISS 2

S/N 6001 to 8000 PCB M12730 ISS 4
for minor variations see 'modifications'



QUAD 34 service data

