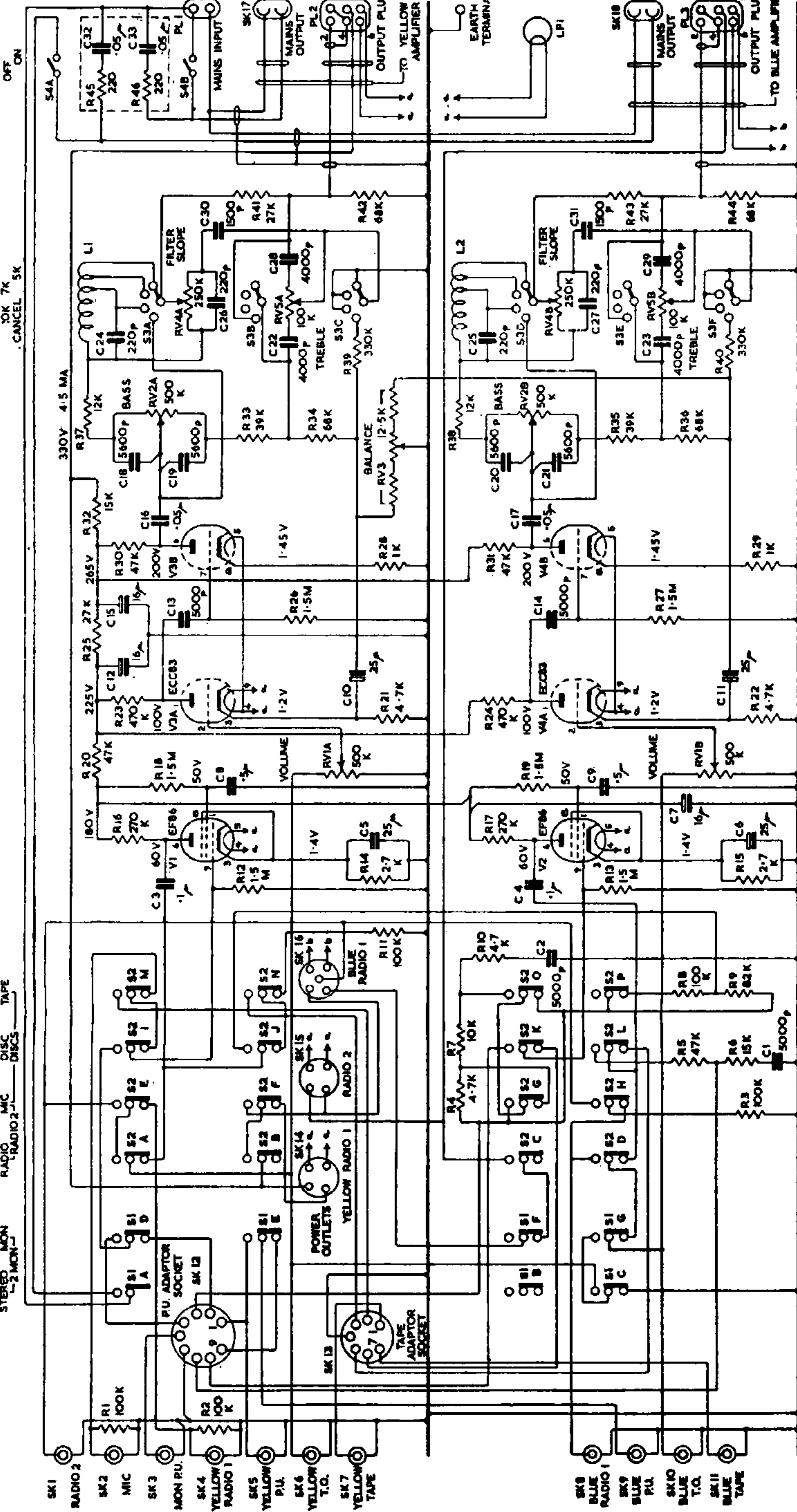


R	1	2	3	4	5	6	7	8	9	10	11	12	13	14	15	16	17	18	19	20	21	22	23	24	25	26	27	28	29	30	31	32	33	34	35	36	37	38	39	40	41	42	43	44	45	46							
C																																																					

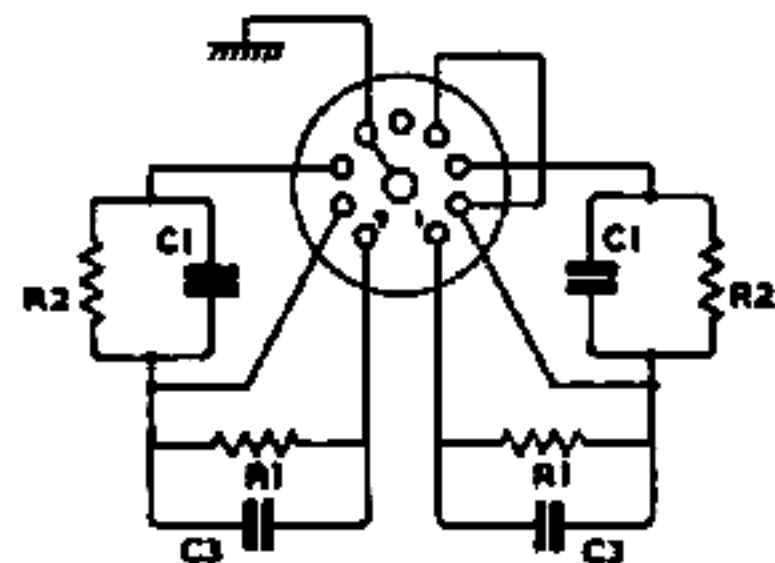


DRG No B 11402 155.1

STEREO MON RADIO MIC DISC TAPE  
 THE VOLTAGE AND CURRENT MEASUREMENTS SHOWN ARE APPROXIMATE, AND ARE ONLY PROVIDED AS A GUIDE. ALLOWANCE SHOULD BE MADE FOR THE LOADING EFFECTS OF A VOLTMETER.

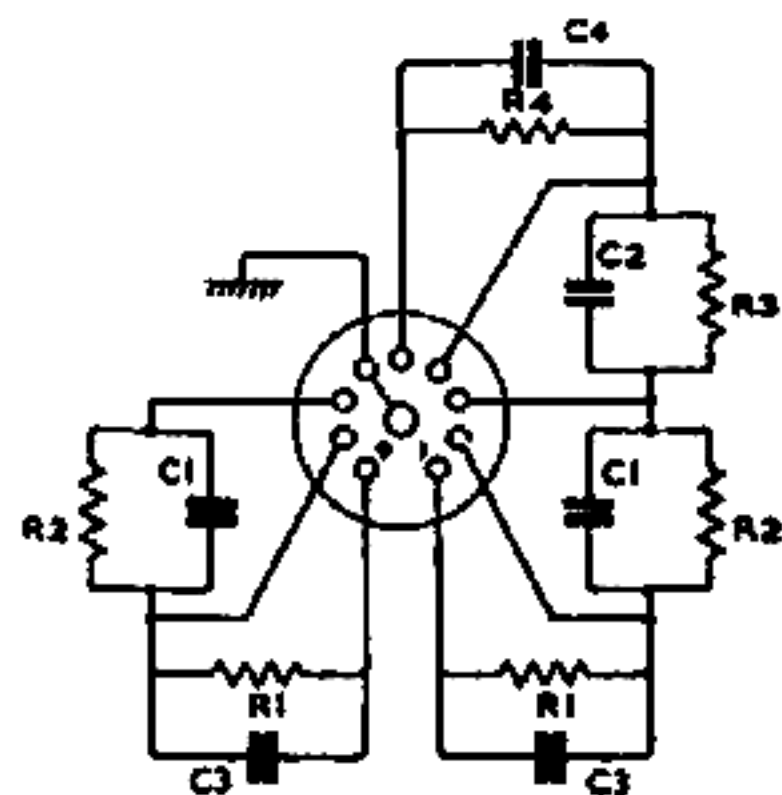
# QUAD 22 CONTROL UNIT CIRCUIT DIAGRAM

## Component List for Pickup Adaptor Units



VIEWED FROM INSIDE PLUG

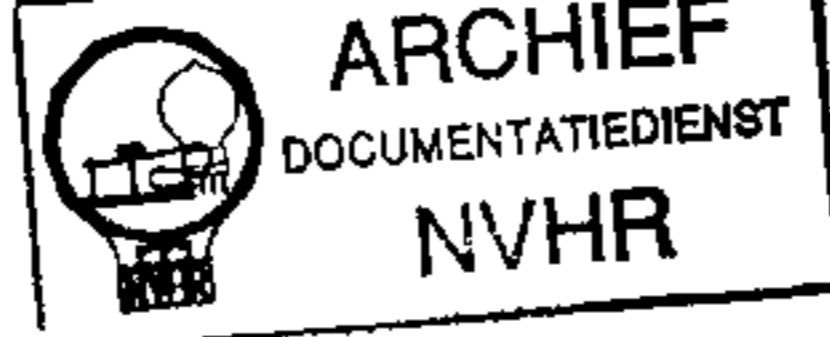
**SINGLE LETTER ADAPTOR**



VIEWED FROM INSIDE PLUG

**DOUBLE LETTER ADAPTOR**

	R1	R2	R3	R4	C1	C2	C3	C4
A	68K	—	—	—	180p	—	—	—
AA	68K	—	—	68K	180p	180p	—	—
AB	68K	—	10M	68K	180p	560p	—	—
AE	68K	—	330K	1.5M	180p	1000p	—	47p
B	68K	10M	—	—	560p	—	—	—
BA	68K	10M	—	68K	560p	180p	—	—
BB	68K	10M	10M	68K	560p	560p	—	—
BE	68K	10M	330K	1.5M	560p	1000p	—	47p
E	1.5M	330K	—	—	1000p	—	47p	—
EA	1.5M	330K	—	68K	1000p	180p	47p	—
EB	1.5M	330K	10M	68K	1000p	560p	47p	—
EE	1.5M	330K	330K	1.5M	1000p	1000p	47p	47p



## PICKUP ADAPTOR UNITS

### INSTRUCTIONS

Where a single stereo pickup is used to play both stereo and monaural discs the appropriate Pickup Adaptor is identified by a single letter. Table 1 shows the recommended Pickup Adaptor to be used with various types of stereo pickup.

If a separate pickup is used to play monaural discs (the stereo pickup then being used to play stereo records only), the Pickup Adaptor is identified by two letters. The FIRST letter is determined by the stereo pickup and is obtained from Table 1. The SECOND letter is obtained from Table 2 which shows the recommendation for types of monaural pickup.

The fact that specific makes of pickup are included or used as examples, and others omitted, should not be taken to indicate pickup preference or recommendation.

Many pickups are advertised as "high fidelity" types. This is purely a relative term and it is recommended that pickups used with high grade amplifiers and loudspeakers should be specifically intended for such use.

Each control unit is supplied with a Pickup Adaptor. Should this be unsuitable for the pickups in use, the Pickup Adaptor may be exchanged free of charge during the guarantee period, either through the dealer from whom the amplifier was purchased, or in the case of difficulty, through the main distributor for the country concerned (in the U.K. The Acoustical Manufacturing Co. Ltd.) A box in which to return the unit and a special double label are provided to facilitate exchange by post where necessary.

**ACOUSTICAL MFG. CO. LTD.**  
**HUNTINGDON ENGLAND**

TEL: 361 & 374

### STEREO PICKUPS TABLE 1

Manufacturer	Type	Quote Letter	Notes
Acos	GP71 series	D	
BJ	Stereo	D	
B & O	Stereo	A	
Collaro	Studio R	D	
Connoisseur	Stereophonic	B	
Decca	Magnetic ffs	A	
ELAC-Sterentwin	200	A	
E.S.L.	C-100	A	Via transformer TM-100
Electro-Voice	21-M series	B	
Fairchild	232	A	
G-E	GC-5	A	
Goldring	700	A	
Grado	Stereo	A	via 1:4 transformer
London-Scott	1000	A	
Ortofon	SC series	B	Via transformer 6631
Pickering	371	A	
Ronnette	BF-40	D	
Shure	M3D/M7D	A	
Tannoy	Vari-twin	A	
Tannoy	Vari-twin Mk. II	A	
Weathers	C501	B	

*Example:* A Shure M3D stereo pickup is to be used for playing both stereo and monaural discs: use Pickup Adaptor type A.

### MONAURAL PICKUPS TABLE 2

Manufacturer	Type	Quote Two Letters	Notes
Acos	HGP39	D	
Acos	GP20	D	
Collaro	Studio P, PX	D	
Collaro	TX-88	D	
Connoisseur	Mark II	B	
Decca	Magnetic ffs	A	Using lateral output
ELAC-Miratwin	MST-2	B	
E.S.L.	C-60	A	
Fairchild	220/225/230	A	
Garrard	GC-8	D	
Garrard	GMC-5	A	via transformer
G-E	VR, VR II	B	
Goldring	500/600	B	
Leak	Mk II	B	Via transformer
Ortofon	C	B	Via transformer No. 384
Philips	AG 3021	B	
Pickering	350	B	
Ronnette	TO-284-P	E	
Shure	M1	D	
Tannoy	Variluctance	A	
Weathers	MM-1/MM-5	B	Using magnetic output from Weathers pre-amplifier.

Obtained from Table 1. If no stereo pickup is used, any first letter may be quoted.

*Example:* An ELAC-Sterentwin is to be used for playing stereo discs, and a Collaro TX-88 is to be used for playing monaural discs: use Pickup Adaptor type AD.