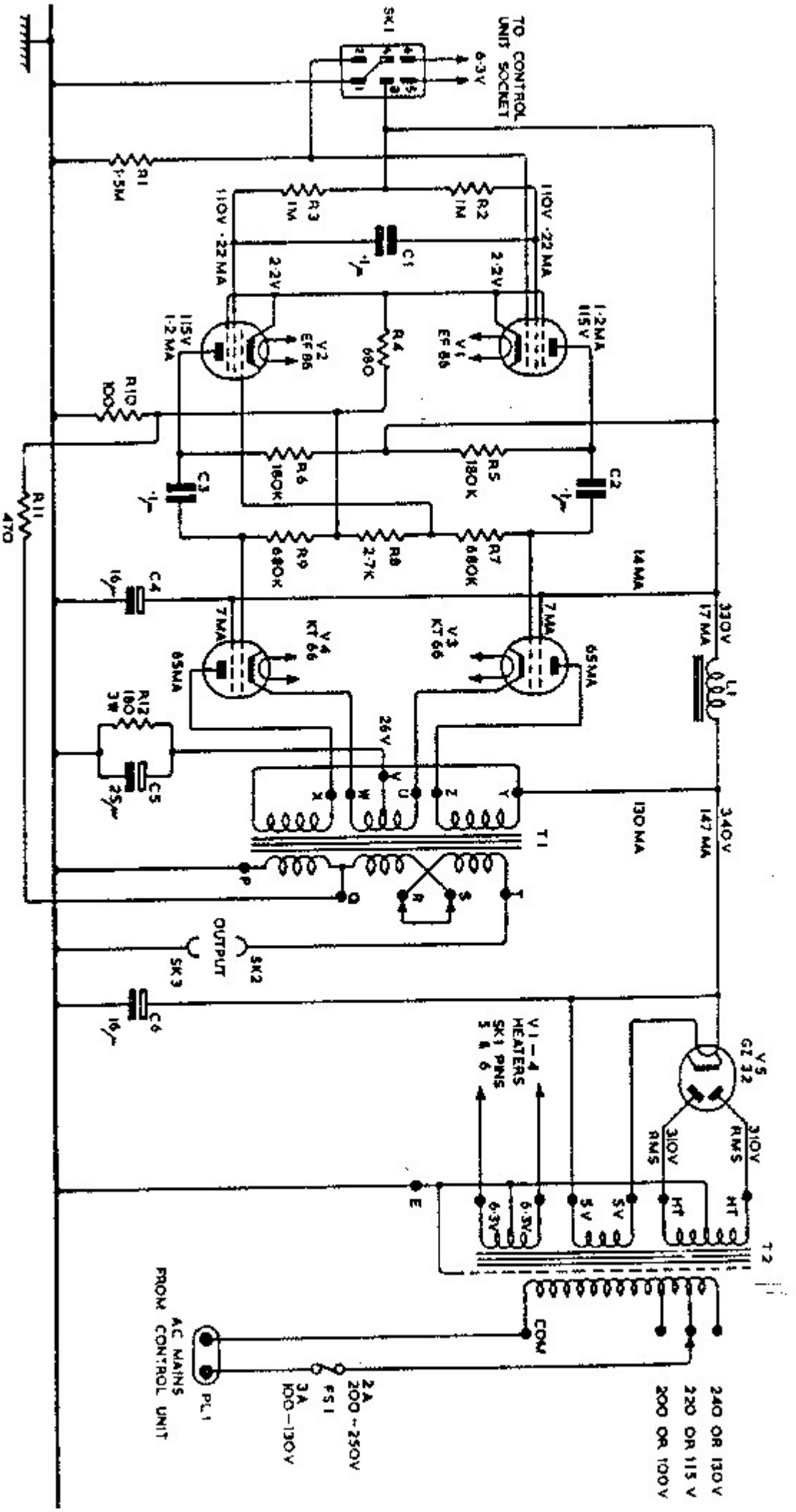


# QUAD II POWER AMPLIFIER

R	1	2	3	4	5	6	7	8	9	10	11	12
C	1	2	3	4	5	6	7	8	9	10	11	12



DRG 11175, ISSUE 1.

THE VOLTAGE AND CURRENT MEASUREMENTS SHOWN ARE APPROXIMATE, AND ARE ONLY PROVIDED AS A GUIDE. ALLOWANCE SHOULD BE MADE FOR THE LOADING EFFECTS OF A VOLTMETER.