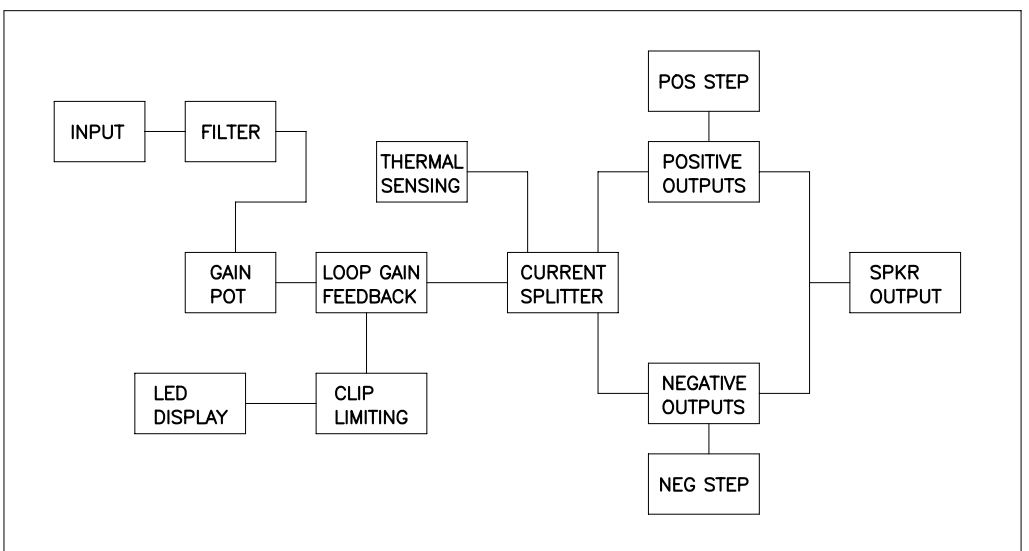
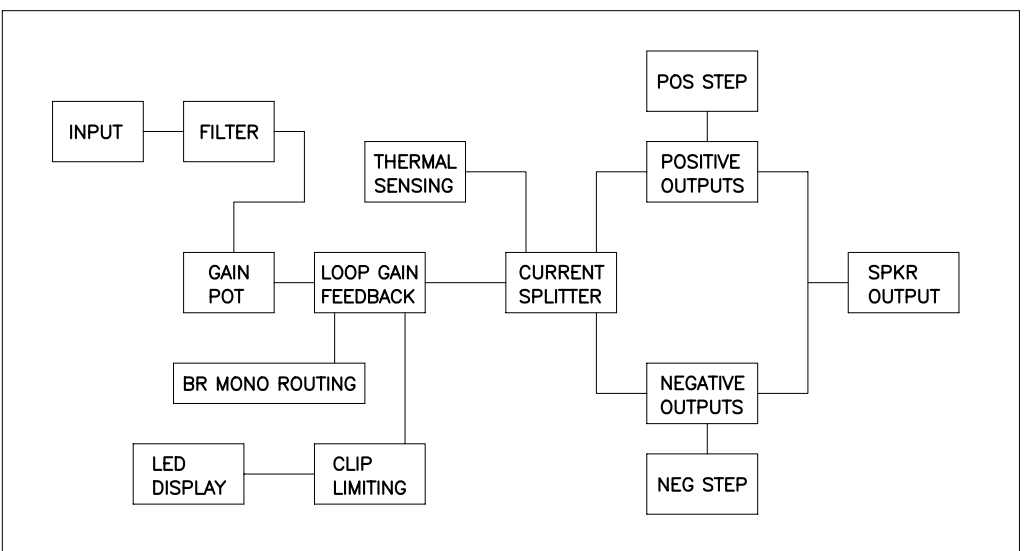


THIS DOCUMENT CONTAINS PROPRIETARY INFORMATION WHICH IS THE PROPERTY OF QSC AUDIO PRODUCTS, THAT MAY NOT BE DISCLOSED, REPRODUCED OR USED WITHOUT EXPRESS WRITTEN CONSENT FROM QSC AUDIO PRODUCTS.

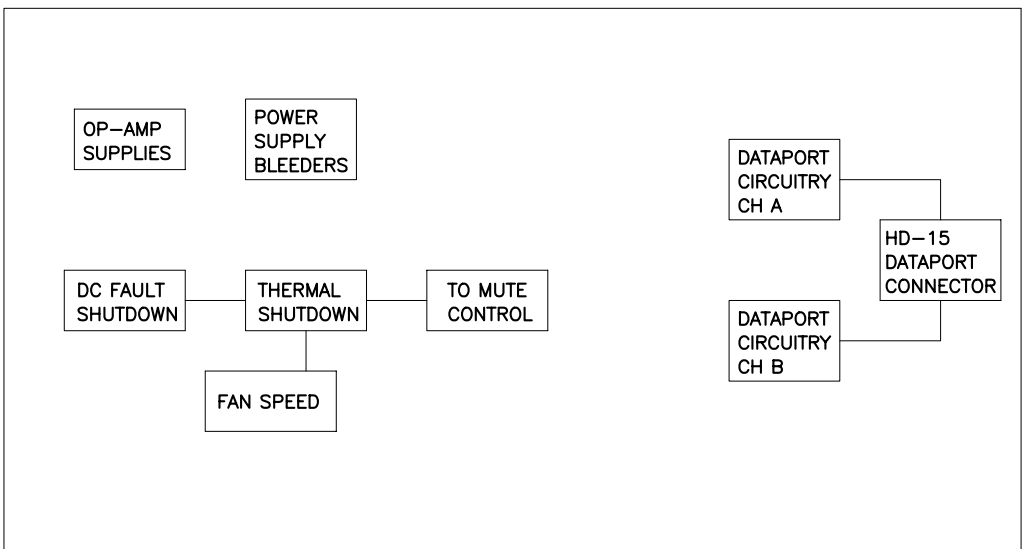
REVISION				
REV	DESCRIPTION	EFF. DATE	CHK	APPROVED / DATE
A	PRODUCTION REVISION PER ECO 5556 AA	12-06-02		



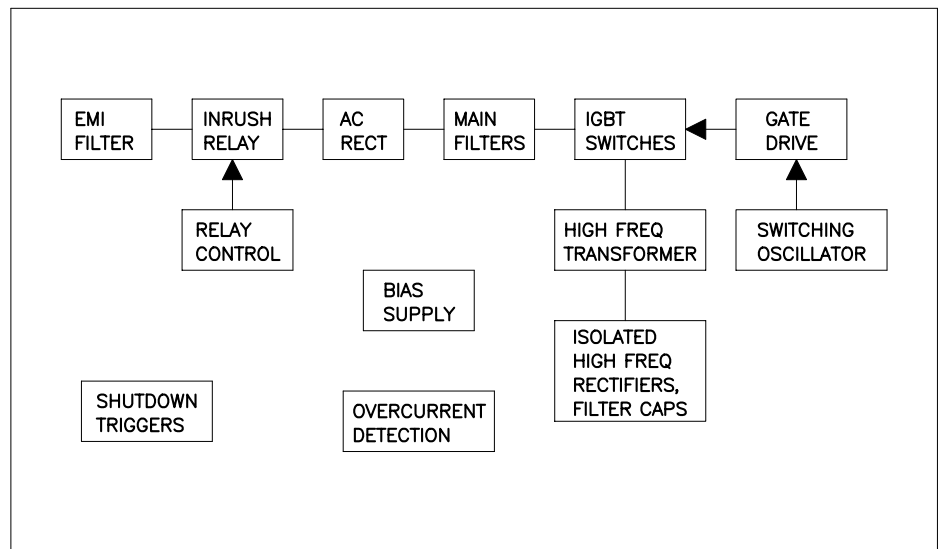
CHANNEL A
AUDIO CIRCUITS
SHEET 2



CHANNEL B
AUDIO CIRCUITS
SHEET 3



SUPPORT,
PROTECTION
AND DATAPORT
CIRCUITS
SHEET 4



SWITCHING
POWER
SUPPLY
SHEET 5

TABULATION BLOCK			
DASH NO.	F1	1	R321, 322, 326, 328 2
-00	25A, 125V		487K
-01	25A, 125V		392K
-02	15A, 250V		487K

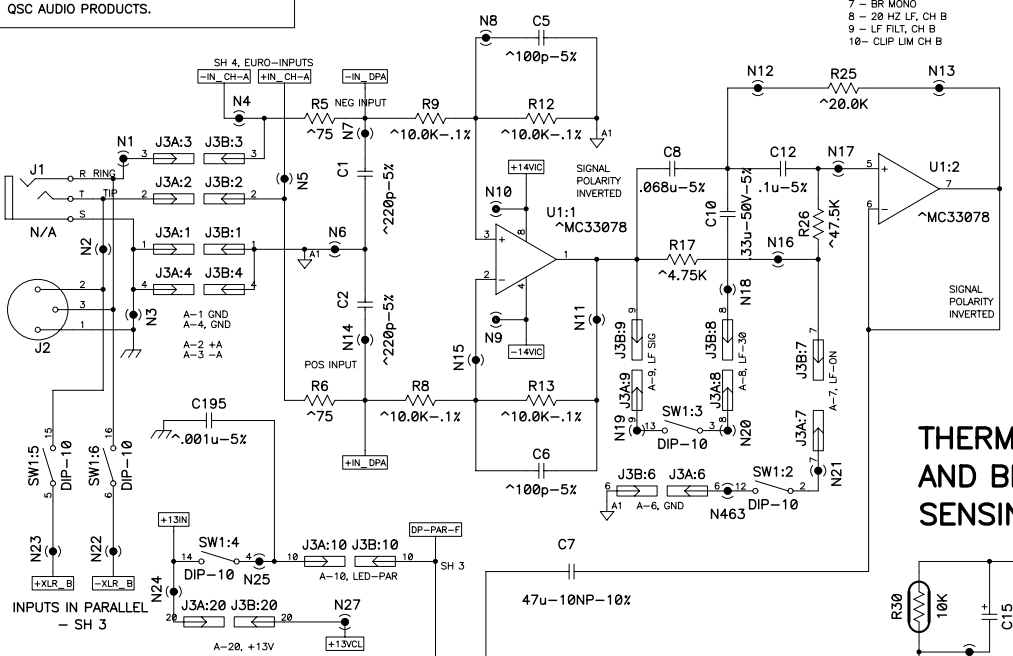
- 8. ZENER TOLERANCE IS 5%
 - 7. SMT CAPACITOR VOLTAGE IS 50V
 - 6. SMT RESISTOR WATTAGE RATING IS 0.1W
 - 5. RESISTOR WATTAGE RATING IS 1/4W
FOR RESISTOR WATTAGE RATINGS GREATER THAN 1W, TOLERANCE IS 5%
FOR RESISTOR WATTAGE RATINGS LESS THAN 1/2W, TOLERANCE IS 1%
 - 4. THROUGH-HOLE FILM AND CERAMIC CAPACITOR TOLERANCE IS 10%, VOLTAGE IS 100V
 - 3. ELECTROLYTIC CAPACITOR TOLERANCE IS 20%
 - 2. COMPONENTS WITH VALUE PREFIXED WITH A "*" REPRESENT SMT COMPONENTS.
 - 1. THIS DRAWING USED IN CONJUNCTION WITH PC-003606-00 AND SH-001225-XX.
- NOTES: UNLESS OTHERWISE SPECIFIED

QTY	ITEM NO.	PART NO.	DESCRIPTION	VENDOR
UNLESS OTHERWISE SPECIFIED DIMENSIONS ARE IN INCHES. DIMENSIONS PER ANSI Y14.5-1982 TOLERANCES ARE: DECIMALS DECIMALS ANGLES .XX ± .XXX ± ° DEBURR EDGES .XXX R MAX MATERIAL				
WP-001225-XX		SRA1222	CONTRACT NO.	AUDIO PRODUCTS, INC. COSTA MESA, CALIFORNIA
NEXT ASSY		USED ON	APPROVALS	
APPLICATION		DO NOT SCALE DRAWING	DATE	SCHEMATIC DIAGRAM SRA1222
			CHECKED	
			ISSUED	SIZE D FSCM NO. DWG NO. SH-001225-00 REV A
			CAD SEED FILE NO.	SCALE NONE CAD FILE NO. SH1225rA.sch SHEET 1 OF 5
			PLOT DATE: Fri Dec 06, 2002	P:\PROJECTS\CEDIA\MAIN PCB SCHEM\WORKING\SH1225r2.SCH

DWG NO. SH-001225-00 REV 1

THIS DOCUMENT CONTAINS PROPRIETARY INFORMATION WHICH IS THE PROPERTY OF QSC AUDIO PRODUCTS. THAT MAY NOT BE DISCLOSED, REPRODUCED OR USED WITHOUT EXPRESS WRITTEN CONSENT FROM QSC AUDIO PRODUCTS.

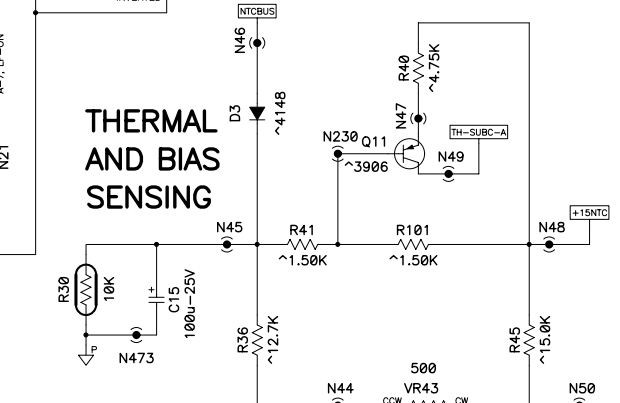
INPUT AND FILTER SECTION, CH A



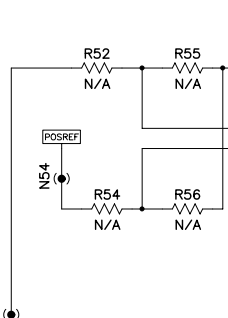
DIP SWITCH TABLE, 10-POS

- CLIP LIM, CH-A
- LF FILT, CH-A
- 20 HZ LF, CH-A
- PAR INPUT LED
- PAR INPUTS, +
- PAR INPUTS, -
- BR MONO
- 20 HZ LF, CH B
- LF FILT, CH B
- CLIP LIM CH B

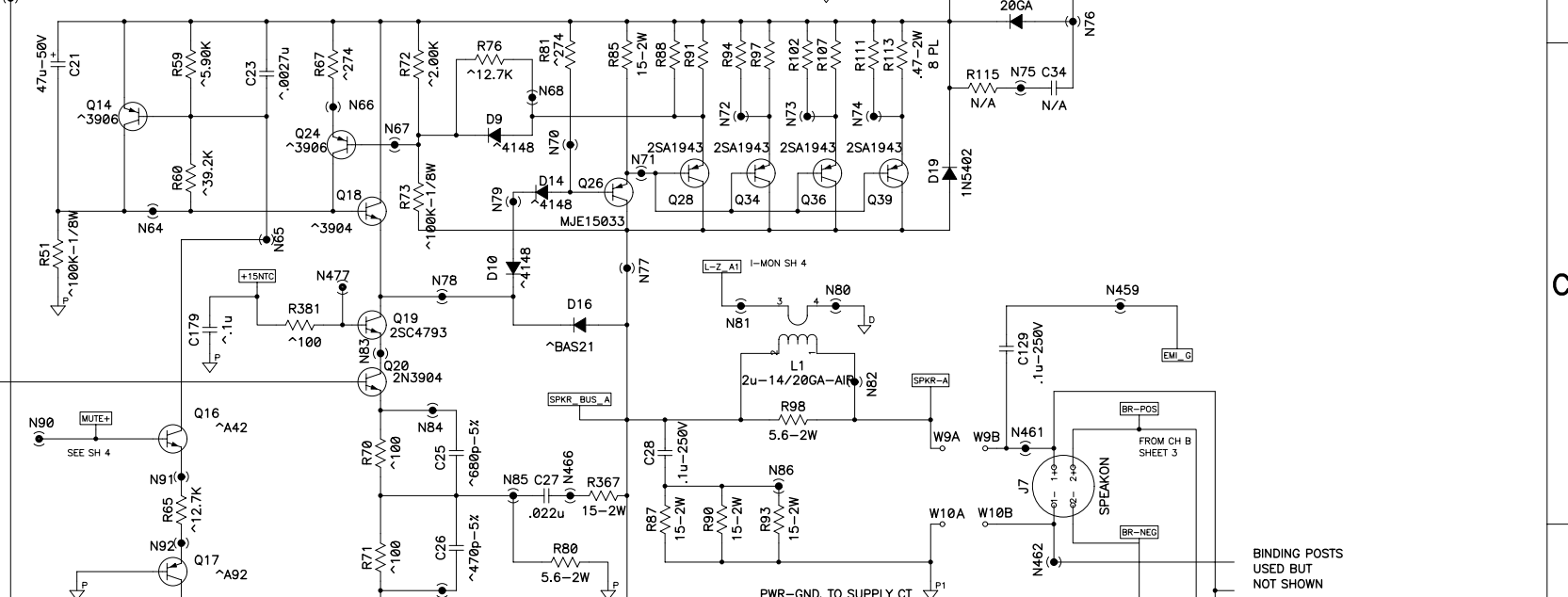
THERMAL AND BIAS SENSING



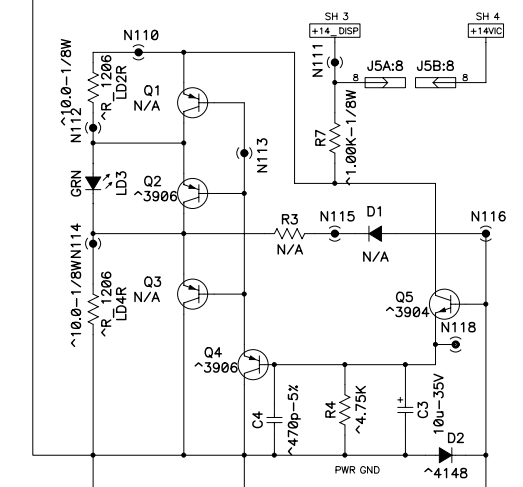
POS STEP DRIVER



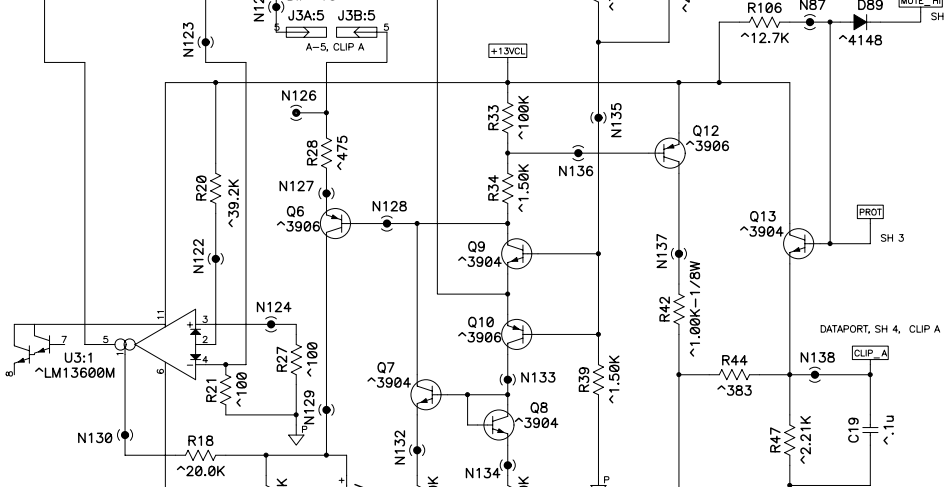
POS OUTPUT SECTION



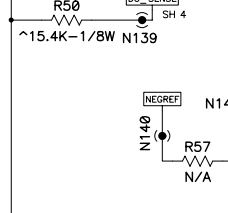
LED-SIGNAL DISPLAY



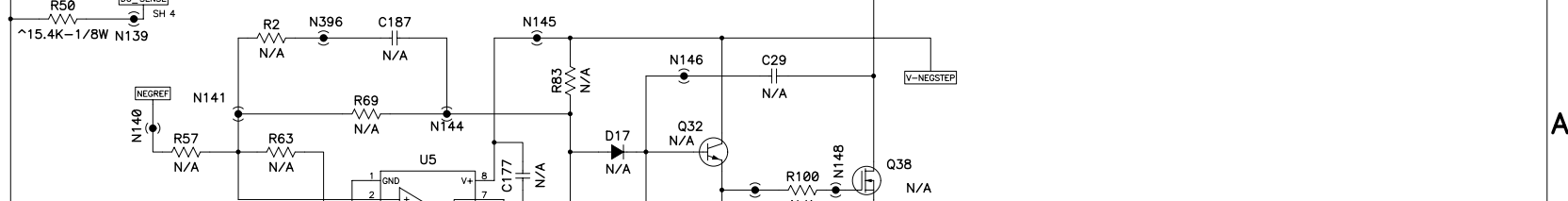
CLIP-LIMIT PROCESSOR



NEG STEP DRIVER

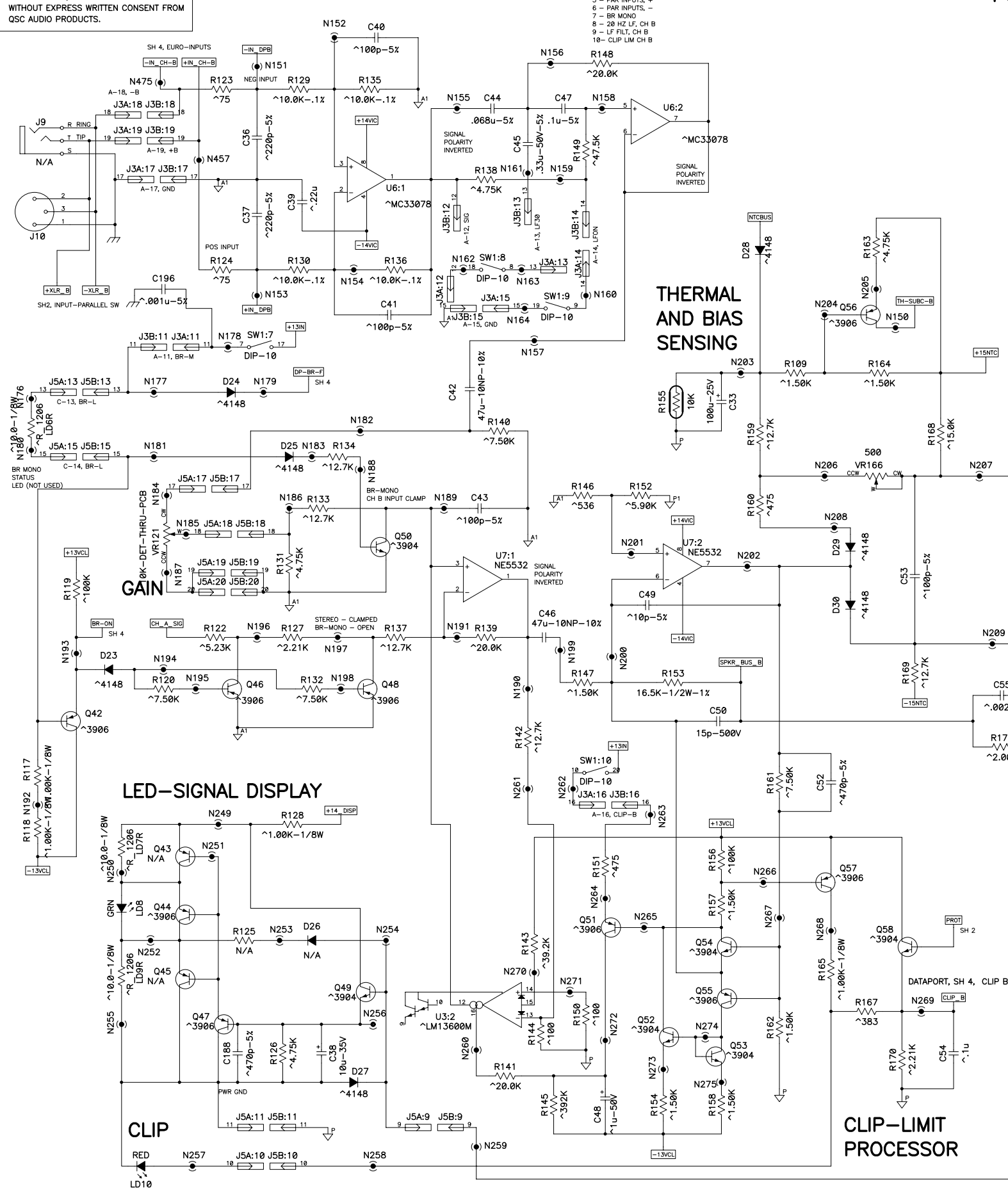


NEG OUTPUT SECTION



THIS DOCUMENT CONTAINS PROPRIETARY INFORMATION WHICH IS THE PROPERTY OF QSC AUDIO PRODUCTS, THAT MAY NOT BE DISCLOSED, REPRODUCED OR USED WITHOUT EXPRESS WRITTEN CONSENT FROM QSC AUDIO PRODUCTS.

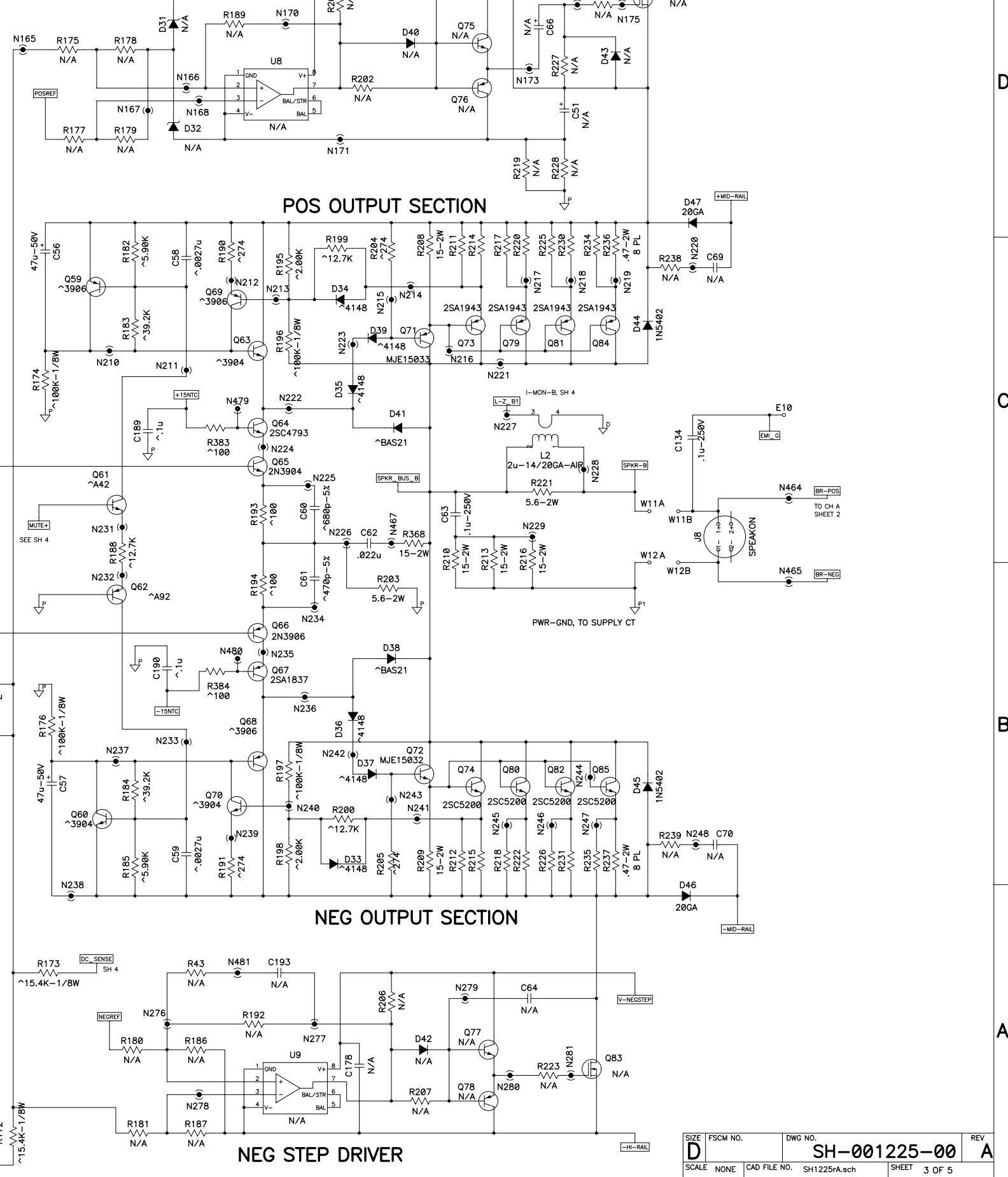
INPUT AND FILTER SECTION, CH B



- DIP SWITCH TABLE, 10-POS
- 1 - CLIP LIM, CH-A
 - 2 - LF FILT, CH-A
 - 3 - 20 HZ LF, CH-A
 - 4 - PAR INPUT LED
 - 5 - PAR INPUTS, +
 - 6 - PAR INPUTS, -
 - 7 - BR MONO
 - 8 - 20 HZ LF, CH B
 - 9 - LF FILT, CH B
 - 10 - CLIP LIM CH B

THERMAL AND BIAS SENSING

POS STEP DRIVER



POS OUTPUT SECTION

NEG OUTPUT SECTION

NEG STEP DRIVER

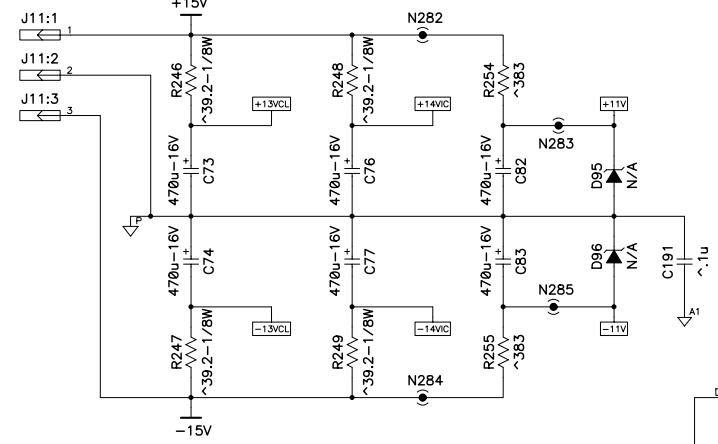
CLIP-LIMIT PROCESSOR

LED-SIGNAL DISPLAY

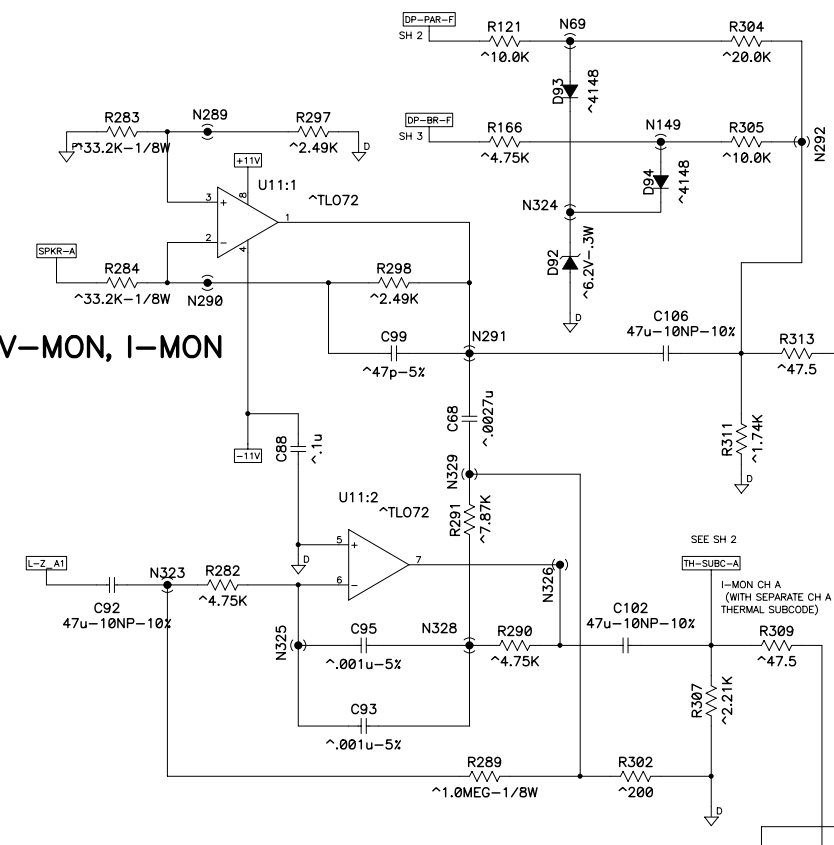
CLIP

THIS DOCUMENT CONTAINS PROPRIETARY INFORMATION WHICH IS THE PROPERTY OF QSC AUDIO PRODUCTS, THAT MAY NOT BE DISCLOSED, REPRODUCED OR USED WITHOUT EXPRESS WRITTEN CONSENT FROM QSC AUDIO PRODUCTS.

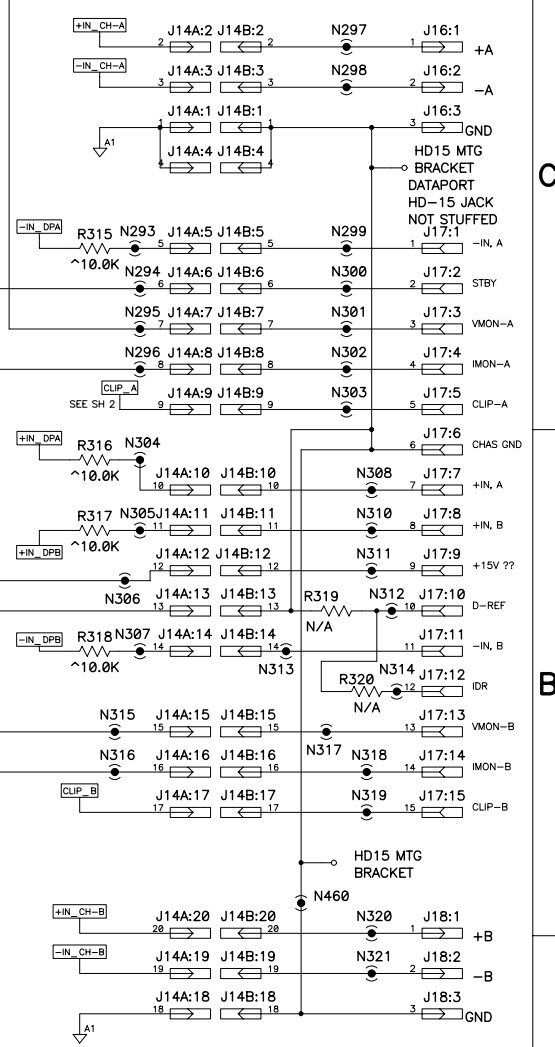
OPAMP POWER SUPPLIES



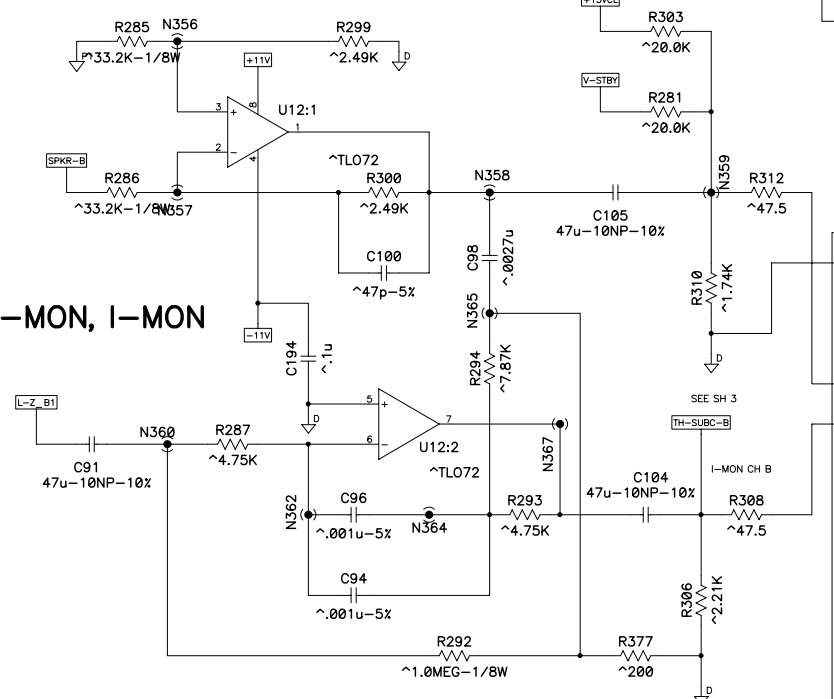
CH A V-MON, I-MON



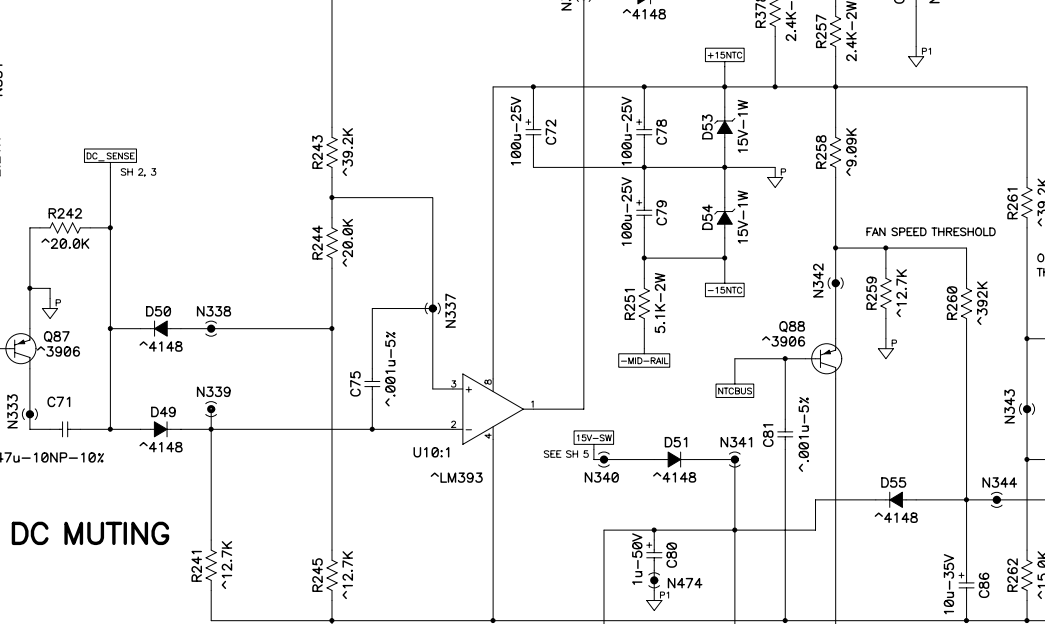
DATAPORT INPUT PCB IS NOT STUFFED



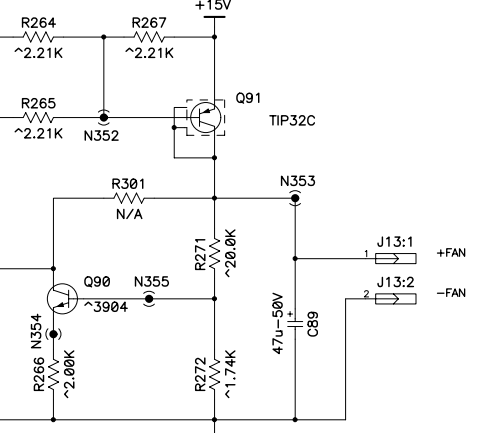
CH B V-MON, I-MON



DC MUTING



FAN SPEED CONTROL



TO USE BLUE LED
R370 = 2.67K, 1206 - NEW VALUE
R253 = 47.5K
R266 = 2.00K
R272 = 1.74K
TO REDUCE "ON" BRIGHTNESS
R252 = 2.67K-1206, SAME NEW VALUE

THIS DOCUMENT CONTAINS PROPRIETARY INFORMATION WHICH IS THE PROPERTY OF QSC AUDIO PRODUCTS, THAT MAY NOT BE DISCLOSED, REPRODUCED OR USED WITHOUT EXPRESS WRITTEN CONSENT FROM QSC AUDIO PRODUCTS.

