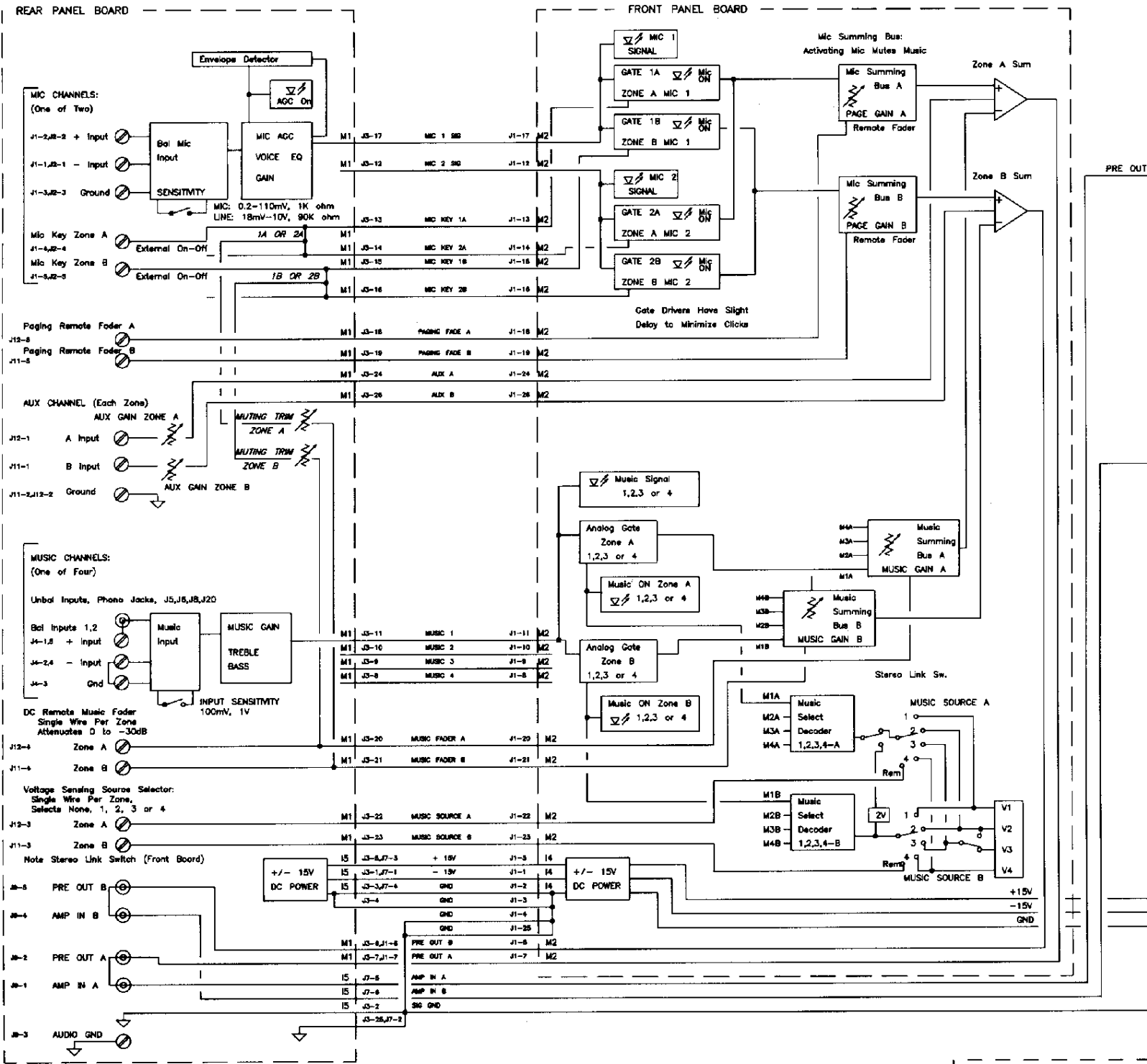
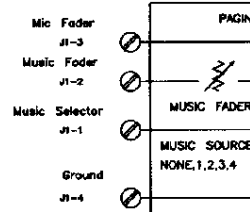


WIRING DIA M FOR MPS 2300

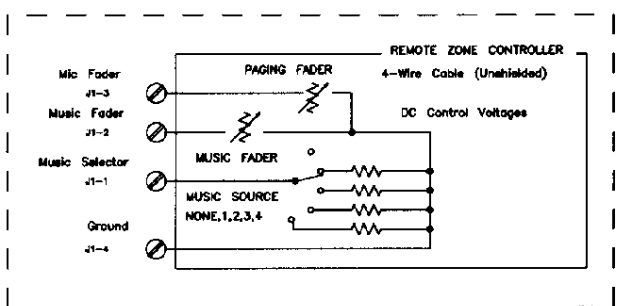
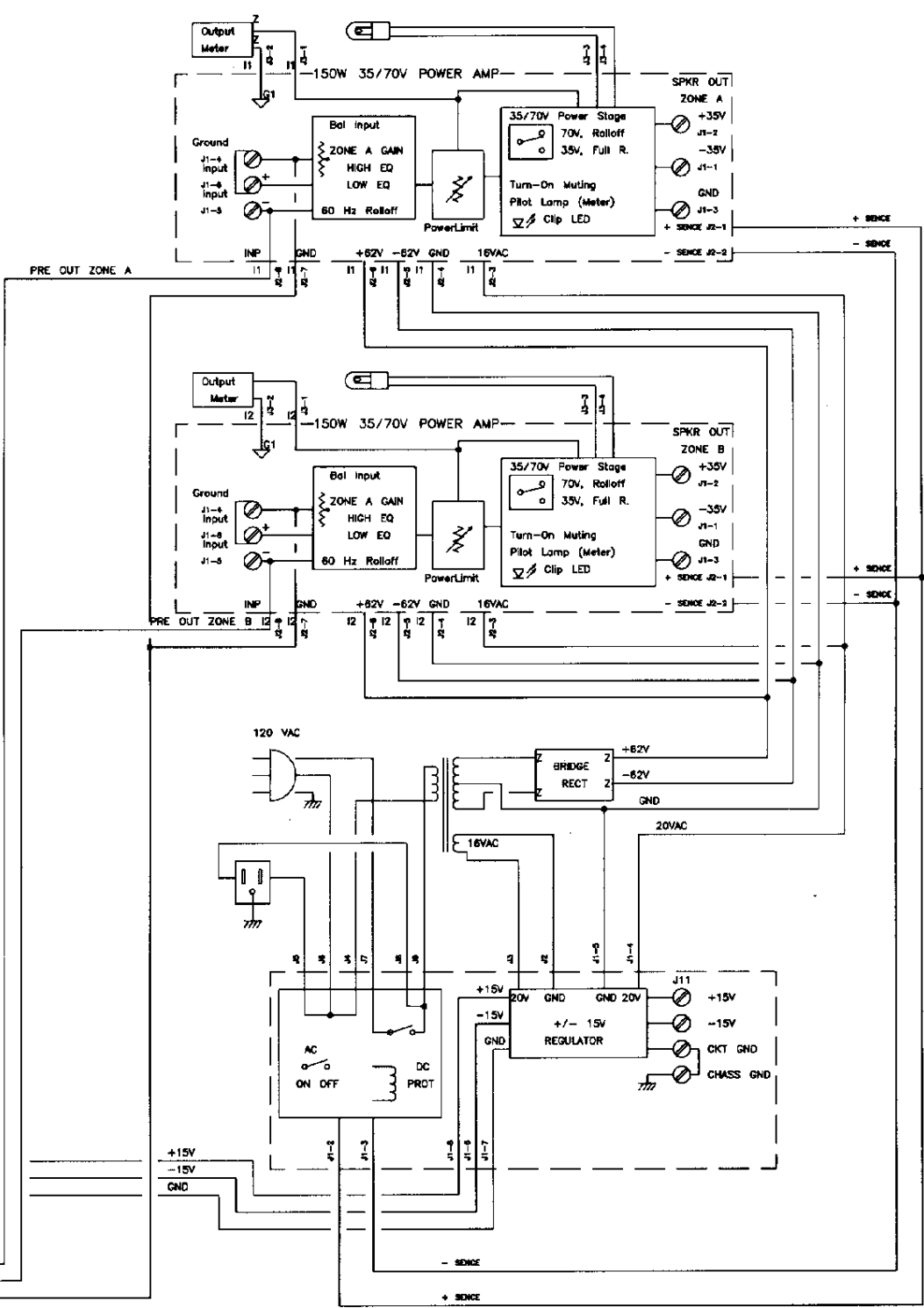
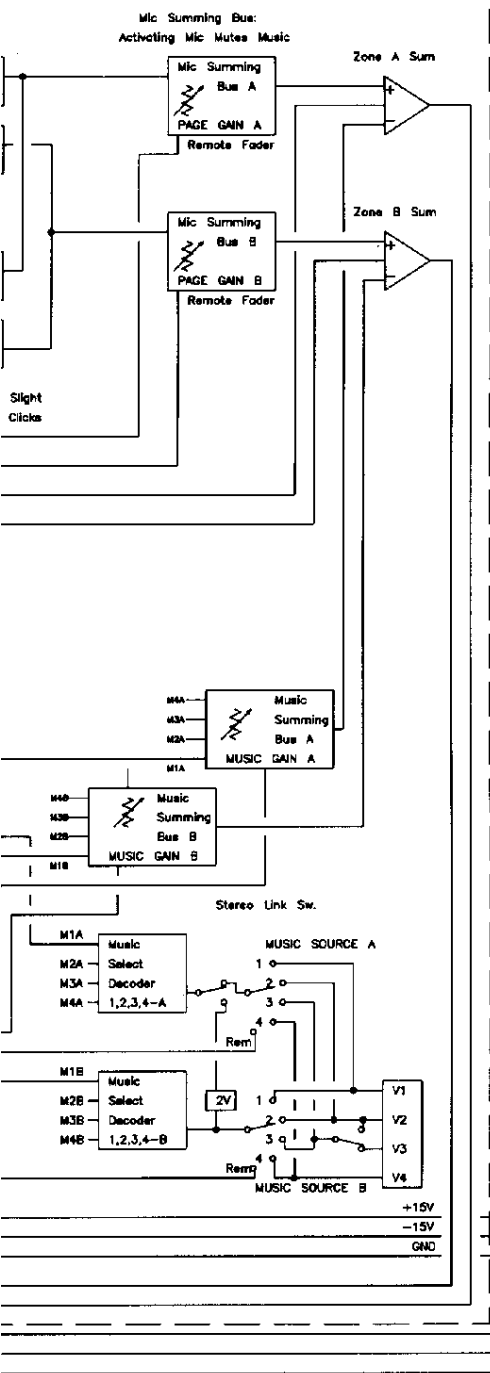


- QUICK-DISCONNECT SHOWN AS Z.
1/4-INCH TABS, RECTIFIER AND POWER SUPPLY.
0.110-INCH (?) TABS FOR OUTPUT METERS.
- MULTI-CIRCUIT CONNECTOR SHOWN AS M(n).
M1, 22 LINES PLUS GROUND (24 TYP), REAR PRE-AMP.
M2, 22 LINES PLUS GROUND (24 TYP), FRONT PRE-AMP.
- IDC (INSULATION DISPLACEMENT CONNECTOR) SHOWN AS I(n):
I1: 8 POS, END TYPE, ZONE A AMPLIFIER.
I2: 8 POS, THRU TYPE, ZONE B AMPLIFIER.
I3: 5 POS, END TYPE, 15V POWER SUPPLY.
I4: 3 POS, THRU TYPE, FRONT PRE-AMP.
I5: 6 POS, END TYPE, REAR PRE-AMP.
ALL MATCHING HEADERS, RIGHT ANGLE PCB MOUNT.



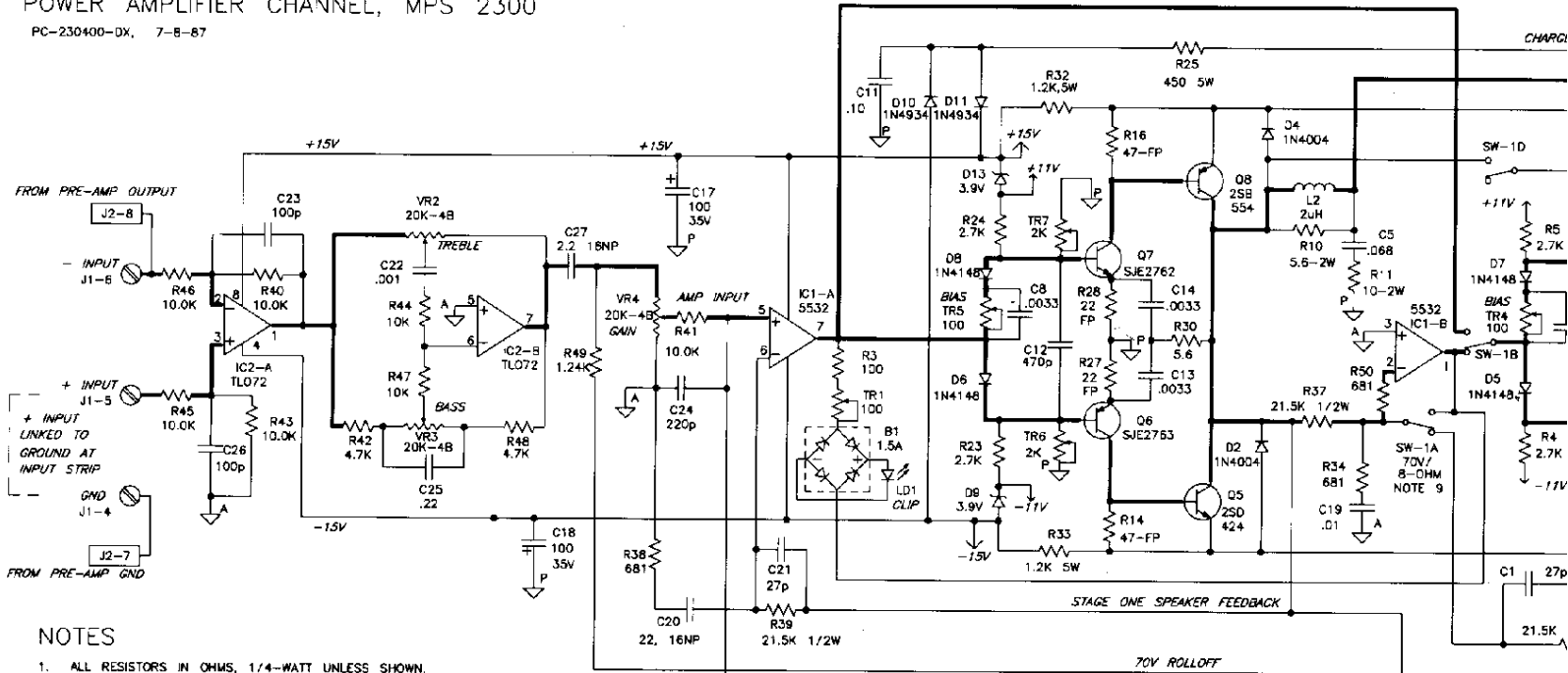
NOTES

BOARD



POWER AMPLIFIER CHANNEL, MPS 2300

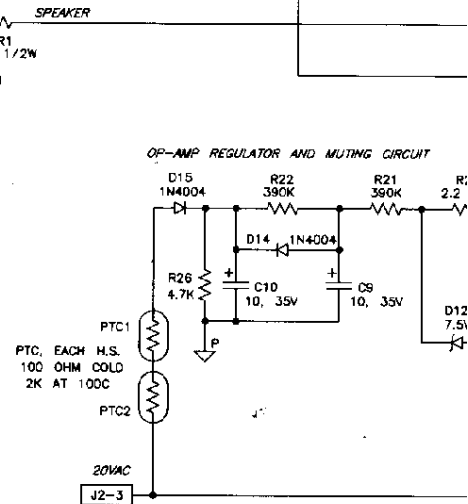
PC-230400-DX, 7-8-87

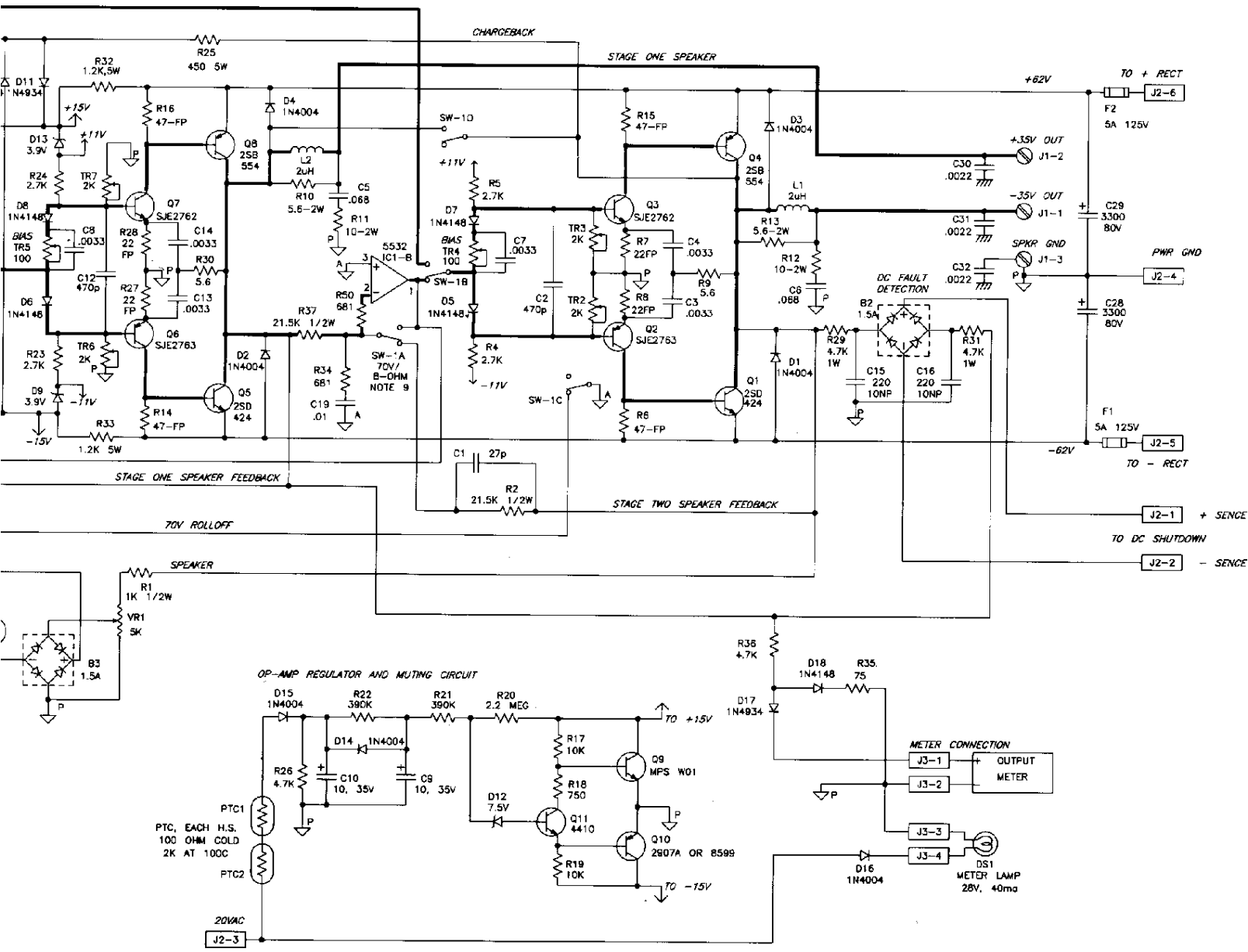


NOTES

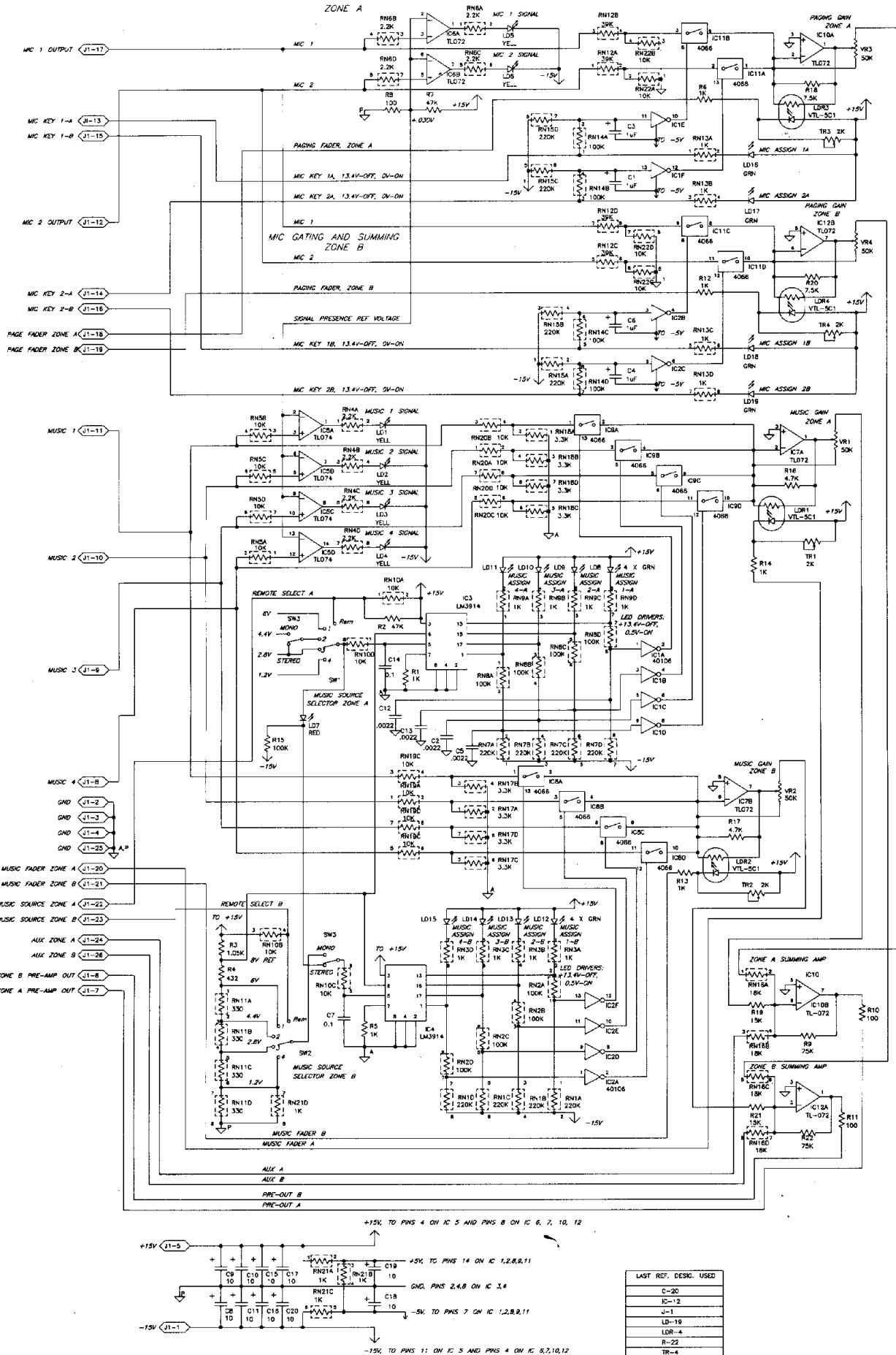
1. ALL RESISTORS IN OHMS, 1/4-WATT UNLESS SHOWN.
2. 2-PLACE RESISTOR VALUES, 5% TOLERANCE, CARBON FILM.
3. 3-PLACE RESISTOR VALUES, 1% TOLERANCE, METAL FILM.
4. "FP", FLAMEPROOF RESISTORS, MIN 1/2W, REPLACE WITH SAME TYPE ONLY.
5. ALL CAPACITORS IN μ F, 100V UNLESS SHOWN.
6. "NP", NON-POLAR ELECTROLYTIC CAPACITORS.
7. AUDIO GROUND MARKED "A", POWER GROUND MARKED "P".
8. HEAVY LINE SHOWS MAIN SIGNAL PATH.
9. SW-1A,B,C,D; 4-POLE SWITCH, SELECTS 35V(8-OHM) OR 70V OUTPUT. SWITCH SHOWN IN 70V POSITION.
10. B1-B3, 1.5A BRIDGE RECTIFIERS.
11. D1-D18, DIODES AND ZENER DIODES.
12. LD1-LD3, LED (LIGHT EMITTING DIODES)
13. LDR-1, LIGHT DEPENDENT RESISTOR/LED COMBINATION.
14. J1-1,2,3,4,5,6; 6-PIN BARRIER STRIP.
J2-1,2,3,4,5,6,7,8; 8-PIN CONNECTOR.
J3-1,2,3,4; METER CONNECTOR.
15. DS-1, METER LAMP, RATING 28V, 40ma.
16. LS-1, QSC METER PART NO. MS-100002-MS

REFERENCE DESIGNATORS	LAST USED
B3	
C32	
D18	
F2	
IC2	
J3	
LD1	
LDR1	
PTC1	
Q11	
R50	
TR7	





MIC GATING AND SUMMING



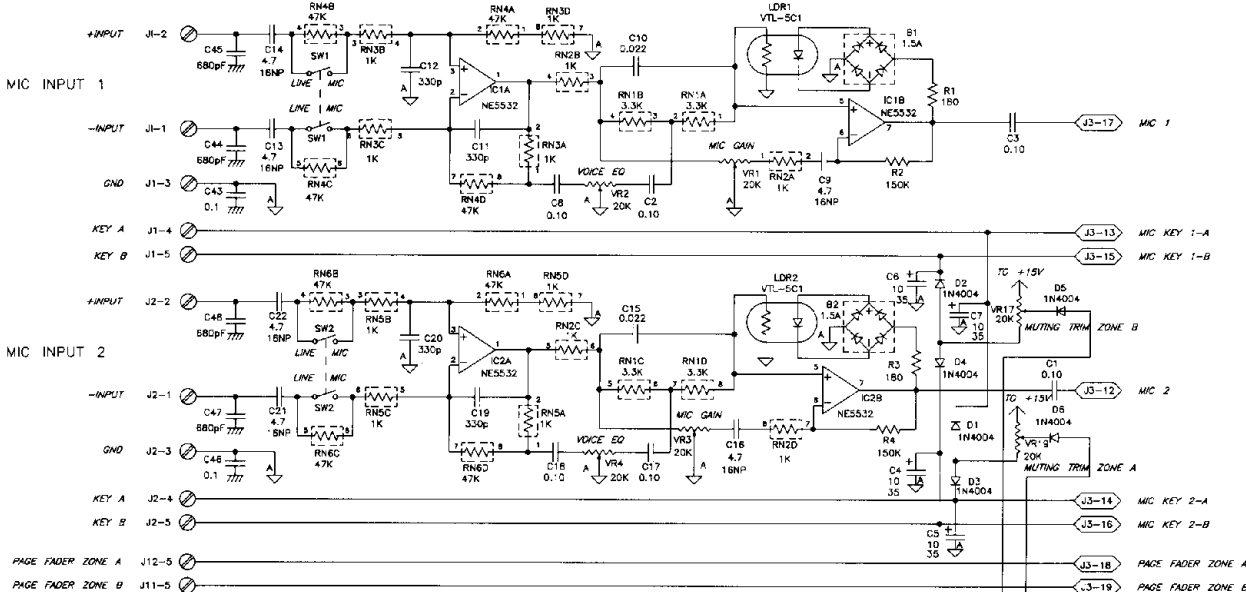
NOTES

- 1 ALL RESISTORS R1 - R22, 1/4 WATT 5% UNLESS SHOWN.
- 2 2-PLACE RESISTOR VALUES, 2% CARBON FILM.
- 3 3-PLACE RESISTOR VALUES, 1% METAL FILM.
- 4 RESISTOR NETWORKS RN1 - RN2, SECTIONS A,B,C,D, SHOWN IN DASHED OUTLINES.
- 5 ALL CAPACITORS C1 - C20 IN μ F, 25V MIN. UNLESS NOTED.
- 6 ALDIO GROUND SHOWN "AG", POWER GROUND SHOWN "PG".
- 7 LD1 - LD19, LED (LIGHT EMITTING DIODES).
- 8 LDR1 - LDR4, LED/PHOTOCELL (LIGHT DEPENDENT RESISTOR).
- 9 TR1 - TR4, TRIMMER RESISTORS.
- 10 J1, 28-PIN RIBBON CONNECTOR.

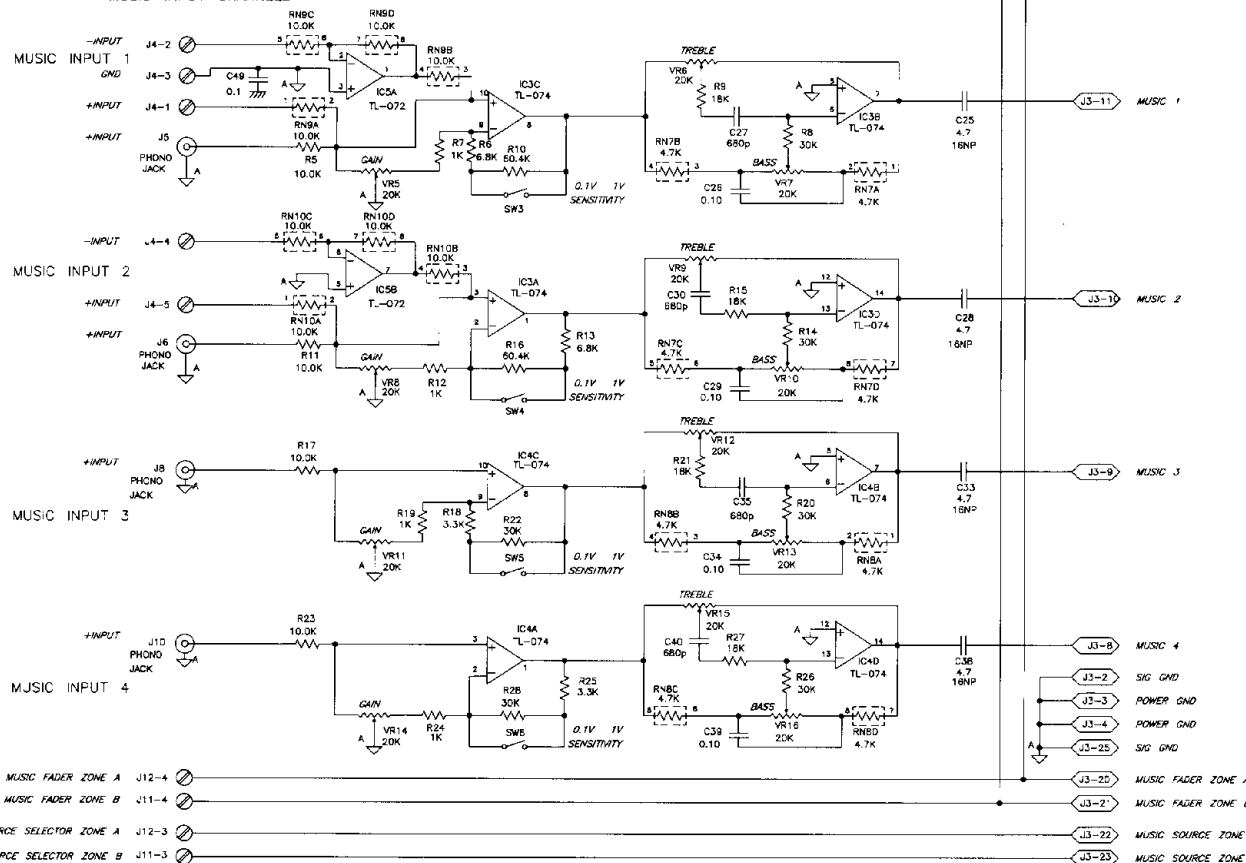
MPS 2300 REAR PREAMP PCB SCHEMATIC

REV B, 4-14-87

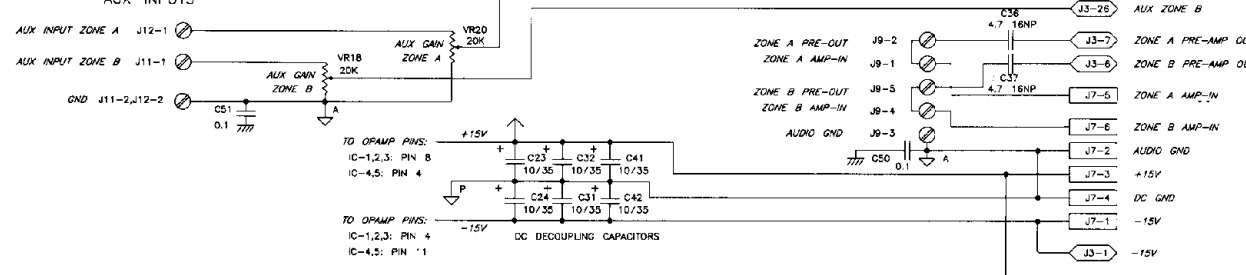
MIC INPUT CHANNELS



MUSIC INPUT CHANNELS



AUX INPUTS

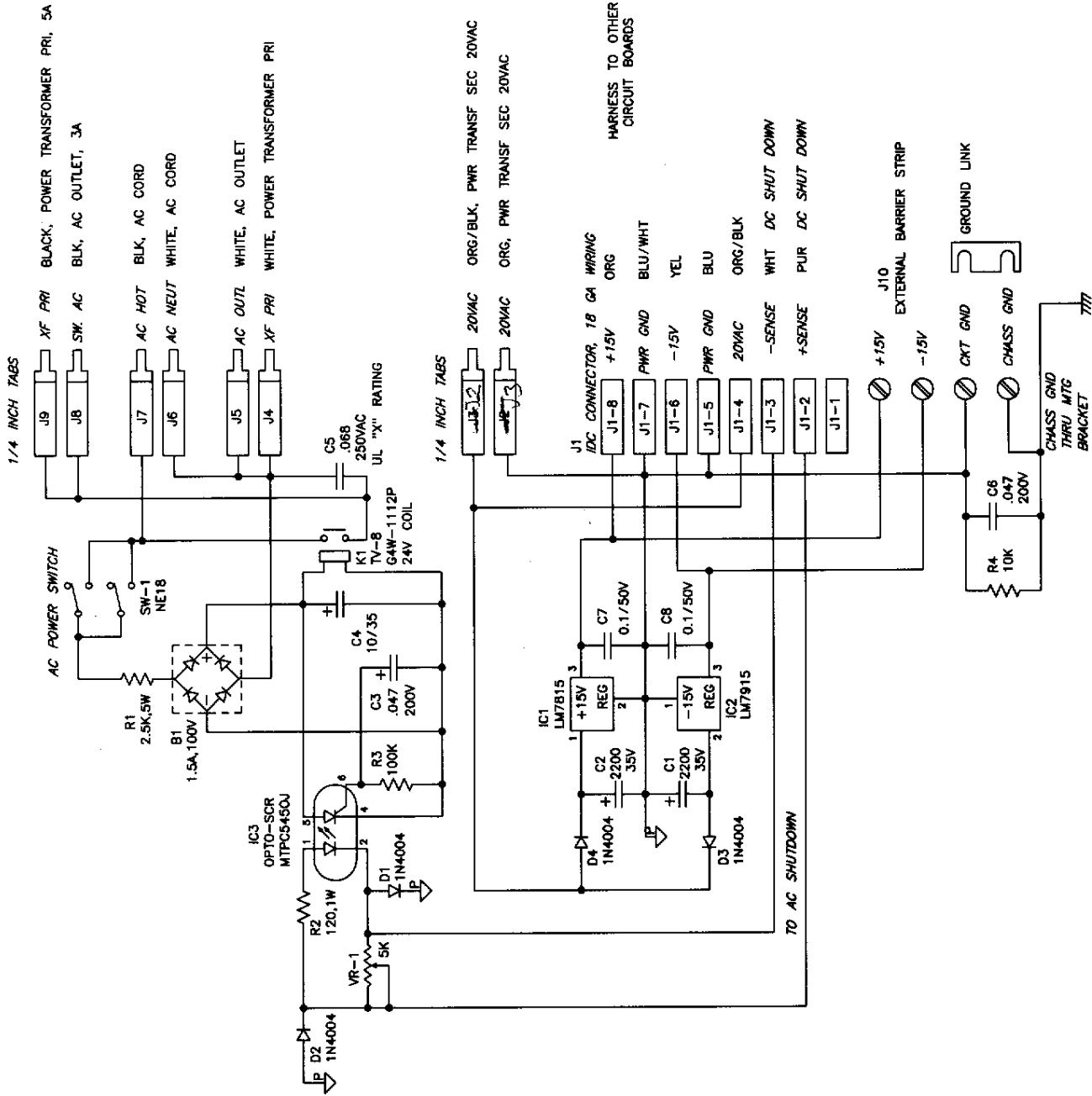


- NOTES
- 1 ALL RESISTORS R1 - R28, IN OHMS, 1/4 WATT UNLESS SHOWN.
 - 2 PLACE RESISTOR VALUES, 5% TOLERANCE, CARBON FILM.
 - 3 PLACE RESISTOR VALUES, 1% TOLERANCE, METAL FILM.
 - 4 RESISTOR NETWORKS RN1 - RN10, SECTIONS ALSO SHOWN W/DASHED LINES
 - 5 ALL CAPACITORS C1 - C42 IN UF, 100V UNLESS SHOWN.
 - 6 "NP" NONPOLAR ELECTROLYTIC CAPACITORS.
 - 7 AUDIO GROUND MARKED A, POWER GROUND MARKED P
 - 8 D1 - D5, 1A DIODES
 - 9 B1 - B2, 1.5A BRIDGE RECTIFIERS
 - 10 J1, 2, 4, 9, 11, 12: 5-POSITION BARRIER STRIPS
 - 11 J3: 28-PIN RIBBON CONNECTOR
 - 12 J5, 6, 8, 10: PHONO JACKS
 - 13 J7: 6-PIN IDC CONNECTOR
 - 14 PCB, PC-23043-REV B

LAST REF. DES. USED
C51
J12
IC5
D5
LDR2
R28
RN10
VR20
SW6

15V REGULATOR/DC SHUTDOWN

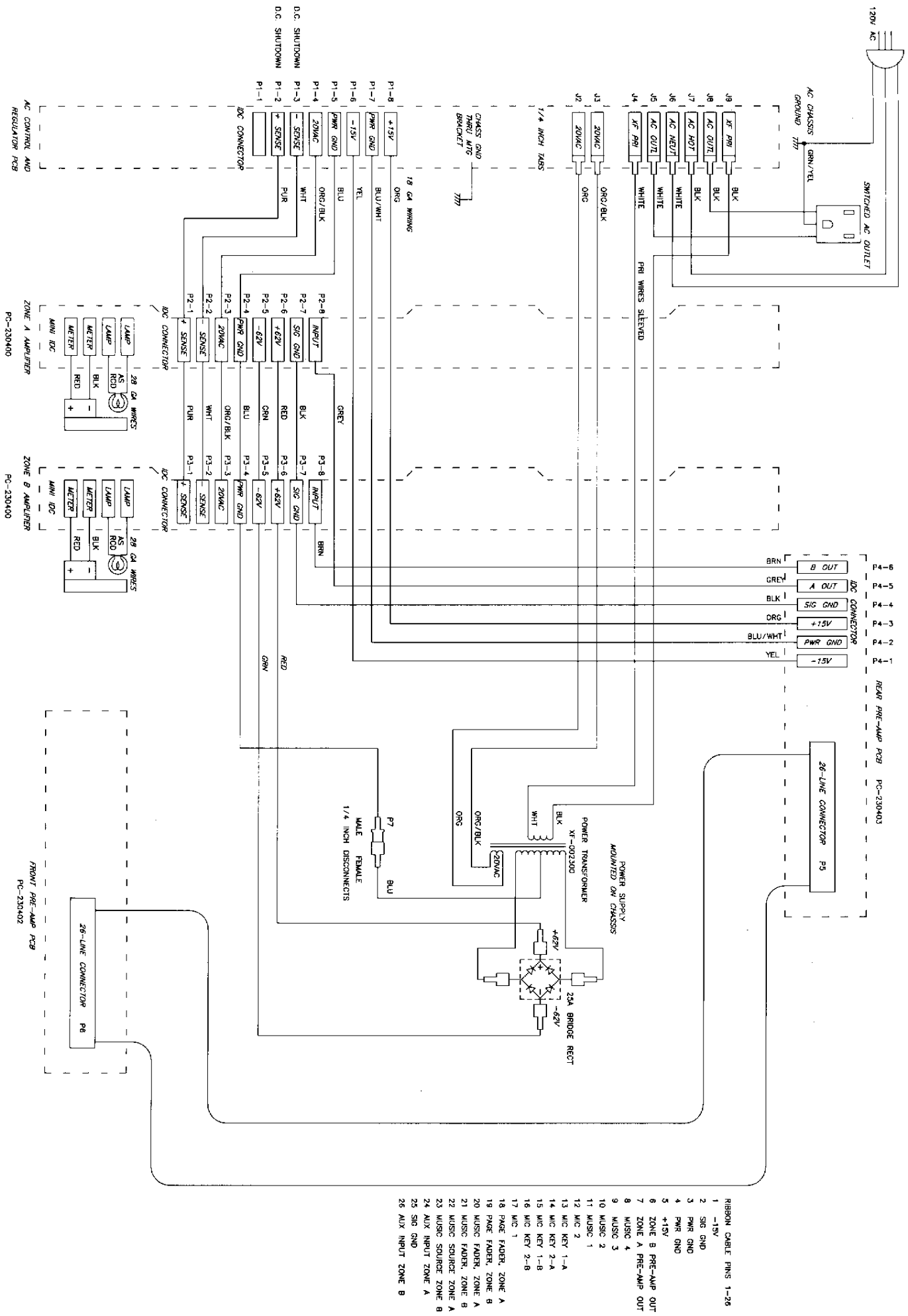
REV C, 7-28-87



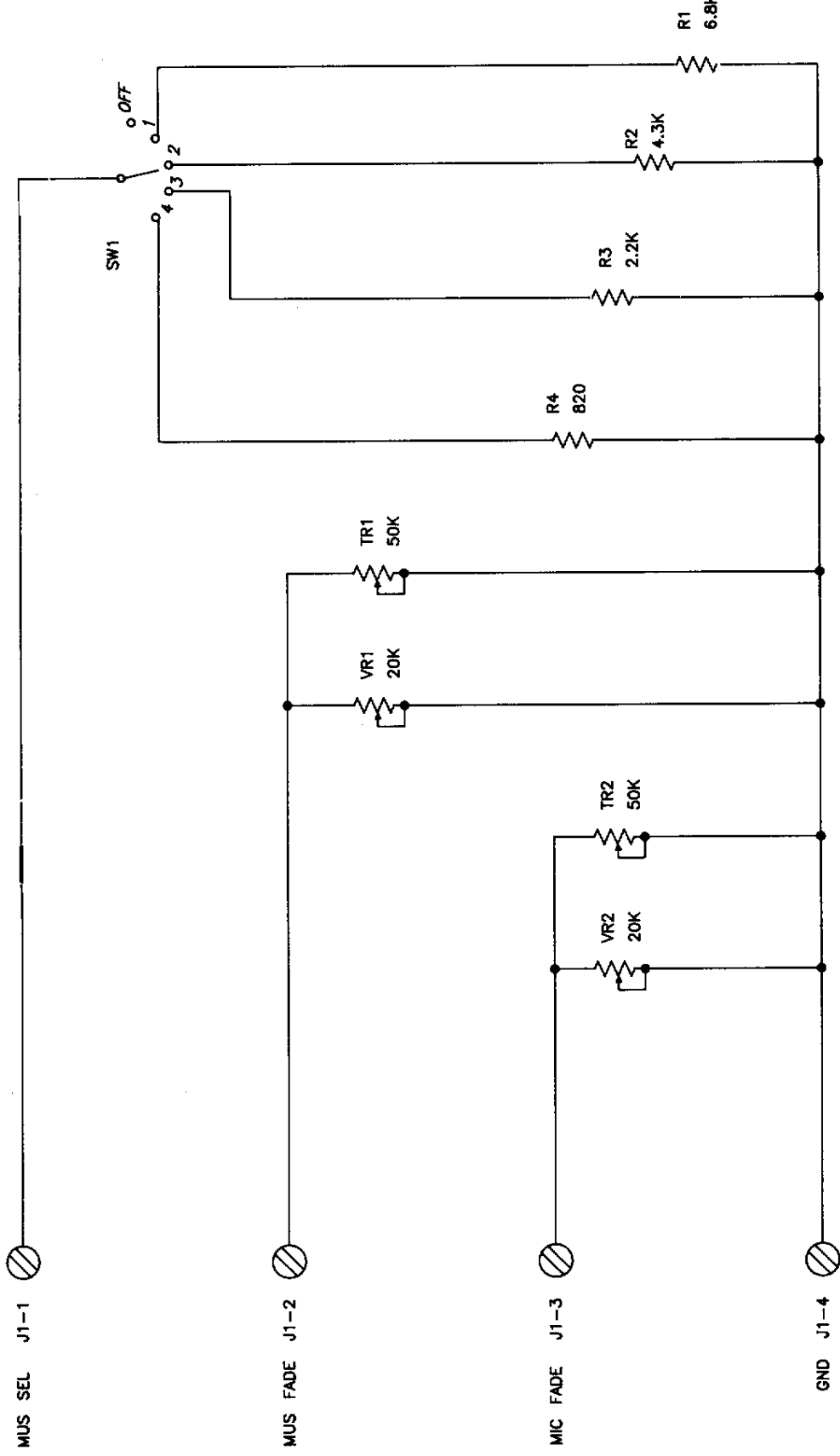
REFERENCE	DESIGNATOR
LAST USED	
B1	
CB	
D4	
IC3	
J10	
K1	
R4	
SW1	
VR1	

1. ALL RESISTORS ARE 1/4 W 5% UNLESS OTHERWISE NOTED.
 NOTES: UNLESS OTHERWISE SPECIFIED.

MPS 2300 AC POWER SUPPLY AND HARNESS



- 1 -15V/
 - 2 SIG GND
 - 3 PWR GND
 - 4 PWR GND
 - 5 +15V/
 - 6 ZONE B PRE-AMP OUT
 - 7 ZONE A PRE-AMP OUT
 - 8 MUSIC 4
 - 9 MUSIC 3
 - 10 MUSIC 2
 - 11 MUSIC 1
 - 12 MIC 2
 - 13 MIC KEY 1-A
 - 14 MIC KEY 2-A
 - 15 MIC KEY 1-B
 - 16 MIC KEY 2-B
 - 17 MIC 1
 - 18 PAGE FADER, ZONE A
 - 19 PAGE FADER, ZONE B
 - 20 MUSIC FADER, ZONE A
 - 21 MUSIC FADER, ZONE B
 - 22 MUSIC SOURCE ZONE B
 - 23 MUSIC SOURCE ZONE A
 - 24 AUX INPUT ZONE A
 - 25 SIG GND
 - 26 AUX INPUT ZONE B
- RIBBON CABLE PINS 1-26



1. ALL RESISTORS ARE 1/4W 5%

NOTES: UNLESS OTHERWISE SPECIFIED;