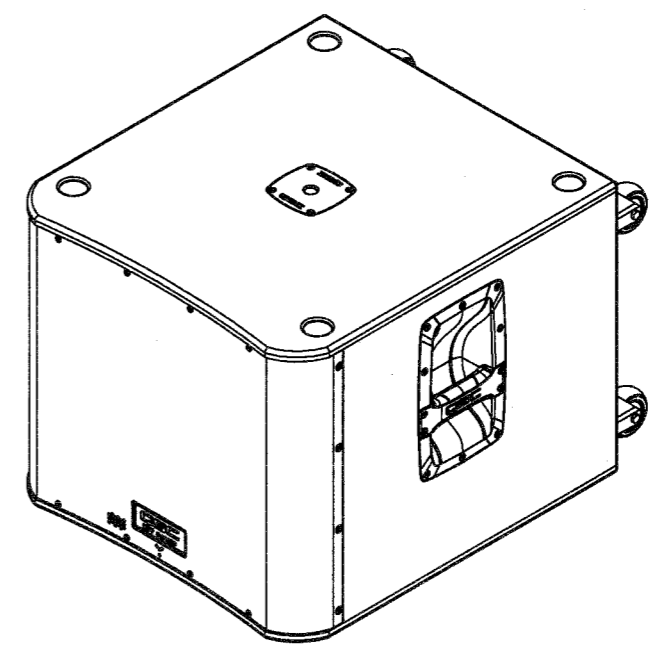
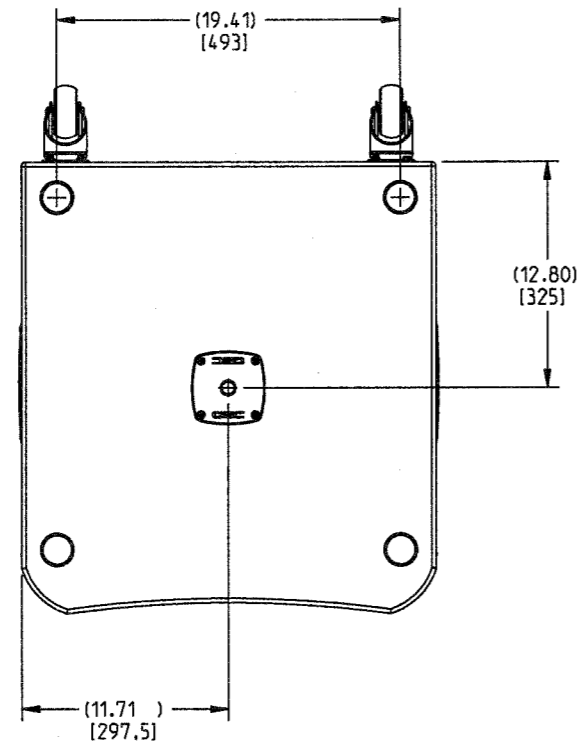
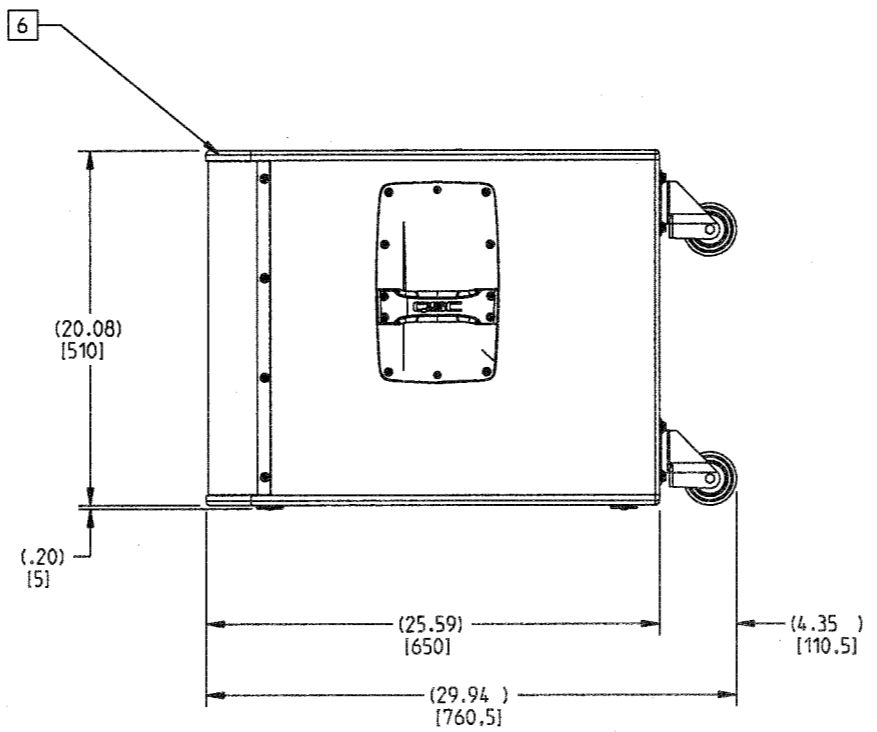
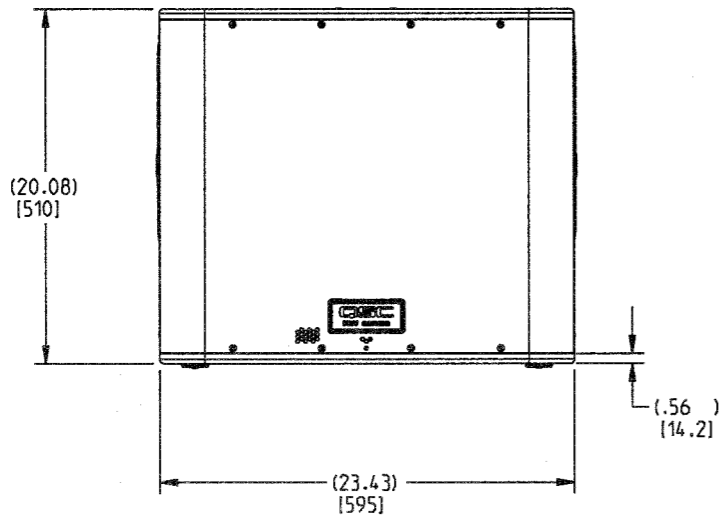


THIS DOCUMENT CONTAINS PROPRIETARY INFORMATION WHICH IS THE PROPERTY OF QSC AUDIO PRODUCTS. THAT MAY NOT BE DISCLOSED, REPRODUCED OR USED WITHOUT EXPRESS WRITTEN CONSENT FROM QSC AUDIO PRODUCTS.

REVISIONS					
REV	ECO	DESCRIPTION	BY	EFF DATE	ISSUED
A	10136	PRODUCTION RELEASE W/O CHANGE	JD	30-JUL-10	DD
A1	10215	ADD NOTE 6: MAX GAP ALLOWANCE BETWEEN GRILLE TOP AND BOTTOM AND THE TOP AND BOTTOM PANELS SHOULD BE .080.	MP	02-SEP-10	DD
B	10287	IS: SC-000215-00, ITEM 16, QTY 16, WAS: QTY 24 ADD: SC-000372-00, ITEM 25, QTY 8	MP	01-NOV-10	DD
C	10389	REMOVED TP-000130-00 CHANGED ITEM 7 NW-000089-00 QTY TO 20 WAS 16	VU	16-NOV-10	DD



SCALE 0.188



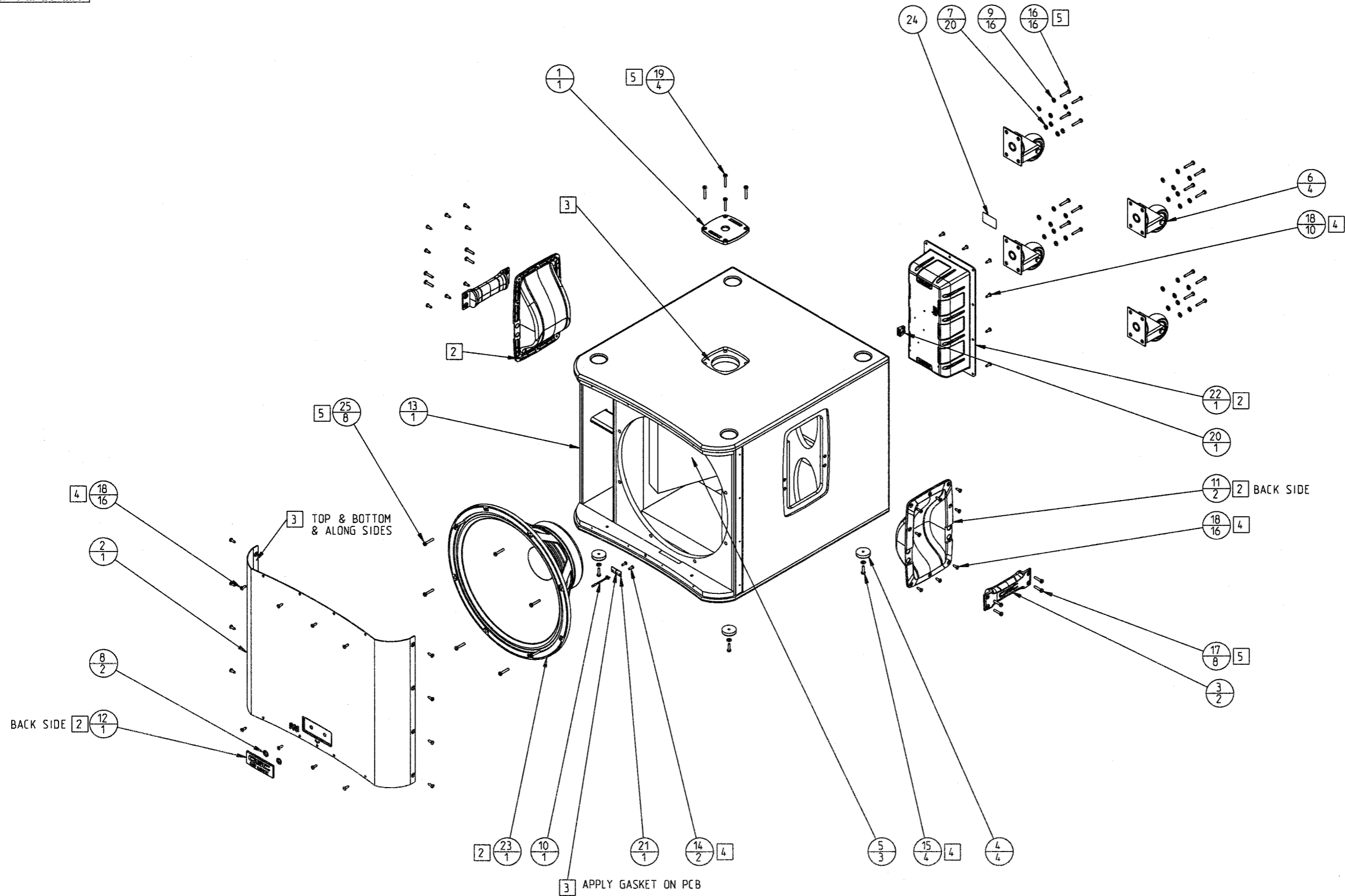
- 6 MAX GAP ALLOWANCE BETWEEN GRILLE TOP AND BOTTOM AND THE TOP AND BOTTOM PANELS SHOULD BE .080.
  - 5 ENSURE PROPER SEATING OF HARDWARE AND TORQUE TO 40 lb-in
  - 4 ENSURE PROPER SEATING OF HARDWARE AND TORQUE TO 25 lb-in
  - 3 APPLY ADHESIVE GASKET (PS-000130-00) ON MATING SURFACES PRIOR TO INSTALLATION.
  - 2 APPLY ADHESIVE GASKET (PS-000128-00) ON ENCLOSURE AT MATING SURFACES PRIOR TO INSTALLATION.
1. ALL DIMENSIONS NOT SHOWN ARE DERIVED FROM CONTROLLED DATA FILE: <DWG NO.> <CURRENT REV>.

NOTE: UNLESS OTHERWISE SPECIFIED

UNLESS OTHERWISE SPECIFIED DIMENSIONS IN INCHES (MM)	APPROVALS		DATE (DD-MMM-YY)	QSC AUDIO PRODUCTS, LLC 1675 MACARTHUR BOULEVARD COSTA MESA, CA 92626
	TOLERANCES ARE:			
DECIMALS .XX±.02(.5)	DECIMALS .XXX±.01(.25)	ANGLES ± 1/2°		SPEAKER ASSY. KW 181
DEBURR EDGES .010 (1.25) R MAX				
MATERIAL	1	DRAWN A. ARANDA	11-FEB-10	SIZE D CAGE CODE 00PW 4 DRAWING NO. WP-218100-01 MODEL INFO: WP-218100-01.C.1
FINISH	2	CHECKED J. CHAVEZ	27-JUL-10	
		MFG ENG D. GALVAN	23-JUL-10	REV C
		QA CHECK S. FELTS	26-JUL-10	SHEET 1 OF 2

QSC Digital Paper - Document Status: PRODUCTION

THIS DOCUMENT CONTAINS PROPRIETARY INFORMATION WHICH IS THE PROPERTY OF OSC AUDIO PRODUCTS. THAT MAY NOT BE DISCLOSED, REPRODUCED OR USED WITHOUT EXPRESS WRITTEN CONSENT FROM OSC AUDIO PRODUCTS.



SIZE	PAGE CODE	DRAWING NO.	REV
D	00PW 4	WP-218100-01	C
SCALE: 0.188		DO NOT SCALE DRAWING	SHEET 2 OF 2

**KW181****WP-218100-01**

Part Number	Description	Item No.	Qty
CH-000889-00	POLE MOUNT, THREADED, M20, KSUB,	1	1
CH-001023-00	GRILLE, 18", , KW181,	2	1
CH-001024-00	HANDLE, , LARGE, KW SERIES,	3	2
MS-000403-00	FOOT, PLASTIC, WL212-sw, ,	4	4
MS-000564-00	DAMPING, FIBERGLASS (CM-26), BLK, 2" THK X 12" X 8",	5	3
MS-000568-00	CASTER, SWIVEL, 3 IN, BLK,	6	4
NW-000089-00	WSHR, FLT, #10, .219 X .500 X .049, , , , STL, BLK, ZINC,	7	20
NW-000168-00	WSHR, RTNR, M8, , , , , STL, CLR, ZINC CR3,	8	2
NW-264815-09	WSHR, LCK, 0.26, SPLIT, , , .062, STL, BLK, ZINC,	9	16
PA-000269-00	FLEXIBLE LIGHT PIPE ASSY, DOME FACE, SM ADAPTER, 2.38", KW181/LXT318s	10	1
PL-000076-GP	HANDLE CUP, FOR HPR, , , ,	11	2
PL-000720-00	LOGO, QSC, KW152/153/181, , ,	12	1
SB-000110-00	ENCLOSURE ASSY, SUB 18", KW181, , ,	13	1
SC-000027-00	PHILLIPS, ROUNDHEAD, , , , , #8, 0.5" L, WOOD, , BLACK, PHOS, 6219 LUBE,	14	2
SC-000214-00	SCR, PHH, PHN, MACH, , , , M5, 20 L, STL CLASS 4.6, BLK, ZINC CR3, ND PATCH MDM	15	4
SC-000215-00	SCR, PHH, PNH, MACH, , , , M5, 30 L, STL CLASS 4.6, BLK, ZINC CR3,	16	24
SC-000255-00	SCR, PPH, PNH, , , , M5, 25 L, STL, BLK, ZINC CR3, 9.0 MAX HD,	17	8
SC-000259-00	SCR, PHH, PNH, PARTICLE BD, , , , #10, 5/8 L, CARBON STL, BLK, ZINC, CR3,	18	42
SC-000347-00	SCR, PHH, PHN, , , , M5, 35 L, STL, BLK, ZINC CR3, 9.0 MAX HD,	19	4
WC-000515-00	WIRE HARNESS, , , , KW181, ,	20	1
WP-212203-00	PCB ASSY, LED, SPKR, , GRILLE	21	1
WP-218104-00	TOP COVER ASSY, , KW181, , UNIV SPLY, FULL RNG, 18" SUB	22	1
XD-000005-00	WOOFER, 18", , PAPER, CERAMIC, CELESTION, KW181	23	1