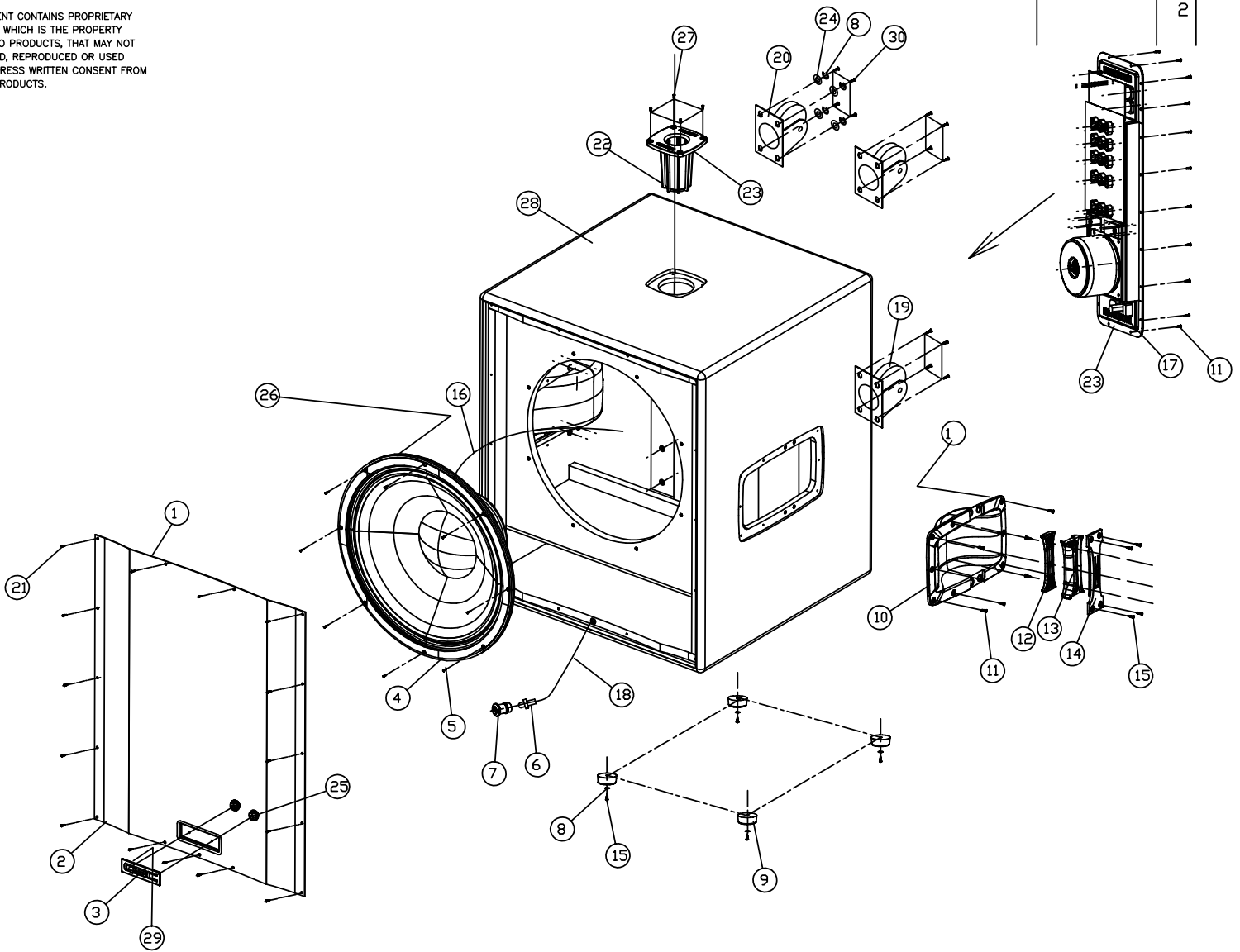




WORK TO DIMENSIONS. REMOVE ALL BURRS. ALL CASTINGS AND MOULDING TO BE FREE FROM SINKS AND BLEMISHES.

GPE EN. NO.	REV	ZONE	DESCRIPTION	DATE
	1		DRAWING RELEASE	Aug.16.06
	2		UPDATE ITEM:16	Nov.29.06

THIS DOCUMENT CONTAINS PROPRIETARY INFORMATION WHICH IS THE PROPERTY OF QSC AUDIO PRODUCTS, THAT MAY NOT BE DISCLOSED, REPRODUCED OR USED WITHOUT EXPRESS WRITTEN CONSENT FROM QSC AUDIO PRODUCTS.



GEOMETRIC TOLERANCE & POSITIONAL TOLERANCE SHOULD BE IN ACCORDANCE WITH GB/T 1184-1996

<p>QSC AUDIO PRODUCTS, INC. 1675 MACARTHUR BOULEVARD COSTA MESA, CA 92626</p>	UNLESS OTHERWISE SPECIFIED : TOLERANCES ARE			MODEL USAGE	MATERIAL:	SIGNATURE	DATE	SIGNATURE	DATE	TITLE:EXPLODED DRAWING FOR HPR181i
	1 decimal place	±0.1mm	31 - 120mm ±0.3mm	HPR181i	UNLESS SPECIFIED COMPLY WITH THE RoHS	DRAWN: Hulsheng Wu	Aug.16.06	CHECKED:		PART NO.
	1 - 5mm	±0.1mm	121 - 315mm ±0.5mm		FINISH:	CHECKED:		CHECKED:		SCALE SIZE DRAWING NO. REV 2
	6 - 30mm	±0.2mm	OVER 315mm ±0.8mm	ALL DIMENSIONS ARE IN MM	DO NOT SCALE DRAWING	APPROVED:				NTS A4 exploded-hpr181i PAGE 1 OF 2

Item Number	Component Description	Component Item Number	Qty
1	GASKET,1000X10X2MM,EVA B,,,	PL-000062-GP	5
2	GRILL,,HPR181W,,	CH-000479-GP	1
3	LOGO,HPR SERIES,,,,	PL-000440-GP	1
4	WOOFER,18",PAPER,FERRITE	SP-000080-GP	1
5	SCREW,M5X34,HEX-SOCKET,HEAD DIA 11XH5,BLK,	SC-000095-GP	8
6	LED,3MM,BLUE SP,SLR343BB T 225419 ROHM,,,	QD-000312-GP	1
7	LED HOLDER,FOR HPR,,,,	PL-000479-GP	1
8	SPRING WASHER,M5X1.2X8.5,MM ZNC,,	NW-000107-GP	20
9	FEET,HPR SUBS,,RUBBER,,	PL-000445-GP	4
10	HANDLE CAP,FOR HPR,,,,	PL-000076-GP	2
11	SCREW WOOD,M4X20,BIND HEAD BZ,,,	SC-000100-GP	36
12	BOTTOM HANDLE,FOR HPR,SIDE HANDLE,,	CH-000523-GP	2
13	RUBBER GRIP,FOR HPR SIDE HANDLE,,,,	PL-000072-GP	2
14	REAR HANDLE,FOR HPR,ENDCAP,,	CH-000493-GP	2
15	SCREW,M5X25,PAN HEAD,DIA 8XH2.5,BLACK,	SC-000094-GP	12
16	#16 AWG WIRE,UL1015 PIN,T65-6Y-2,,,,	WC-000417-GP	1
17	AMP MODULE ASSY,,HPR181i,120V,SUBWOOFER, 18" SUB	WP-181001-00	1
18	WIRE,BLACK&BLACK,26 AWG TWIN,,,,1080MM,UL2468	WC-000420-GP	1
19	CASTER,3 INCH,,,	MS-000258-GP	2
20	CASTER,SWIVEL,3 INCH,,	MS-000259-GP	2
21	SCREW,TRUSS HEAD,M4X16,JHC030-00,,	SC-000099-GP	14
22	HPR SUB POLE MOUNT	CH-000570-GP	1
23	EVA GASKET,5X500,,,,	PL-000066-GP	4
24	WASHER,M6X1X18, NI,,METAL,	NW-000109-GP	16
25	S/L WASHER,M9.7X22X0.5,,,	NW-000105-GP	2
26	GASKET,1300X10X4MM,EVA BK,,,	PL-000063-GP	1
27	SCREW,PH,M5X35MM,BLACK,,	SC-000097-GP	4
28	CABINET,FOR HPR18 SUB,,,,	SB-000050-GP	1
29	FOAM STRIP,MP1,406.4X6X4,SP8296,,	PL-000065-GP	1
30	SCREW,M5X25,BLACK,,,	SC-000093-GP	16