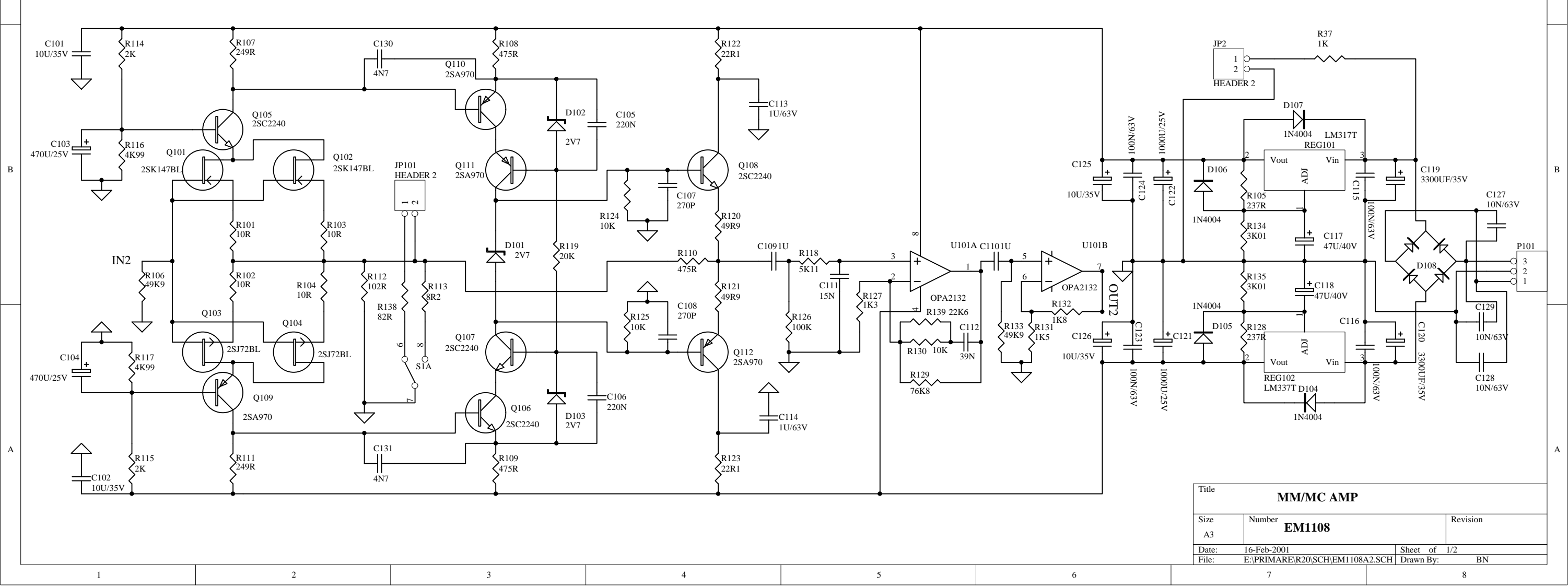
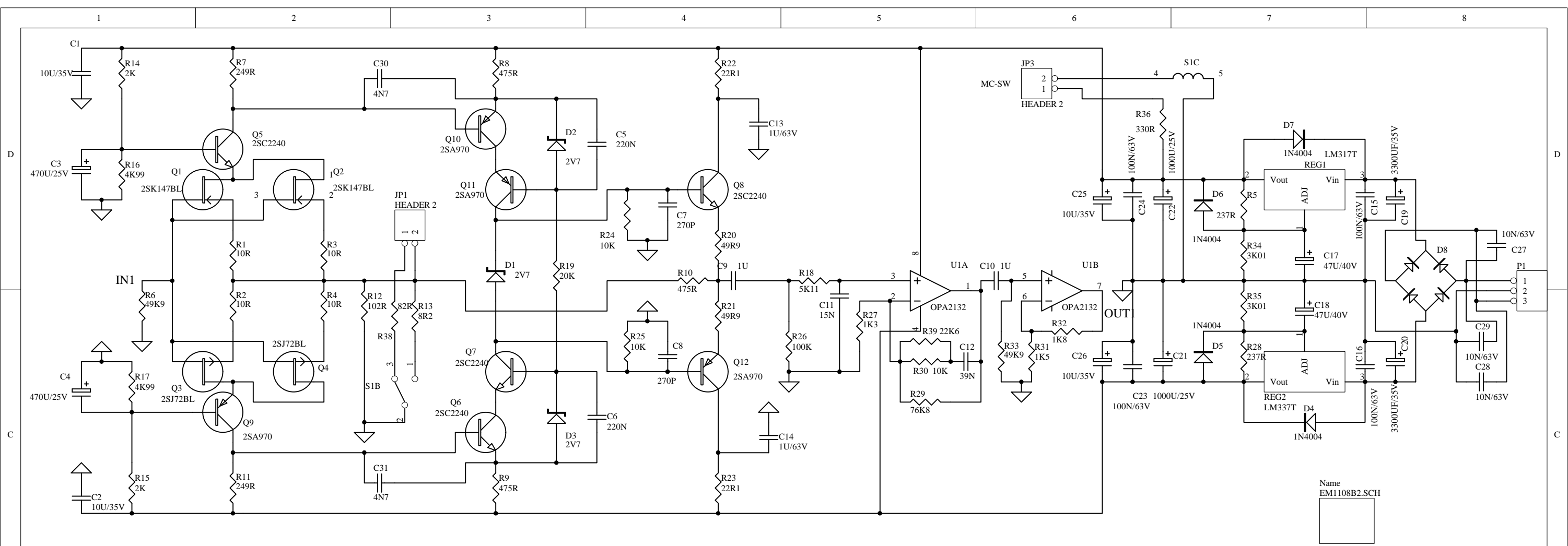


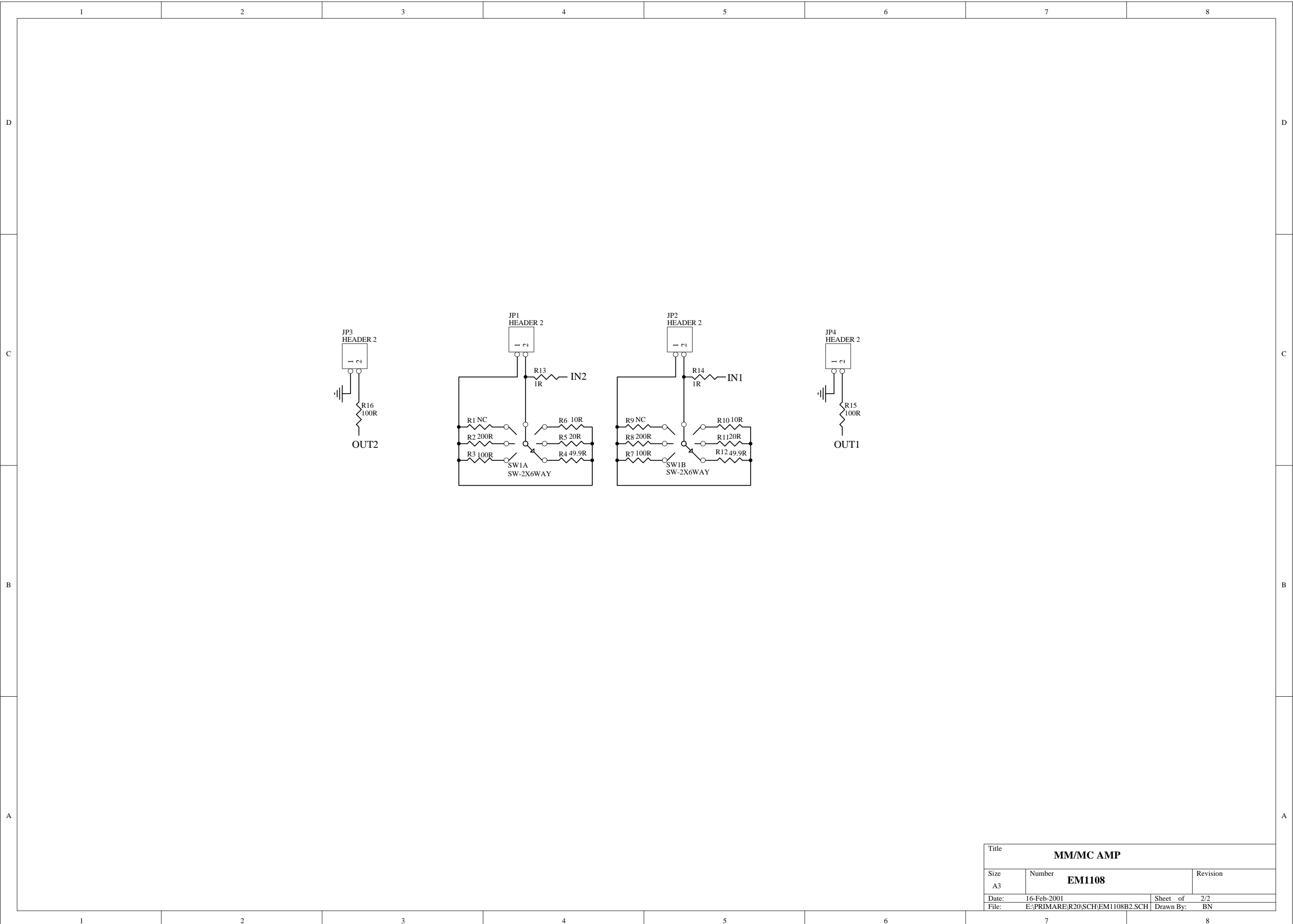
# R20 MM/MC AMPLIFIER SERVICE MANUAL

# CONTENTS

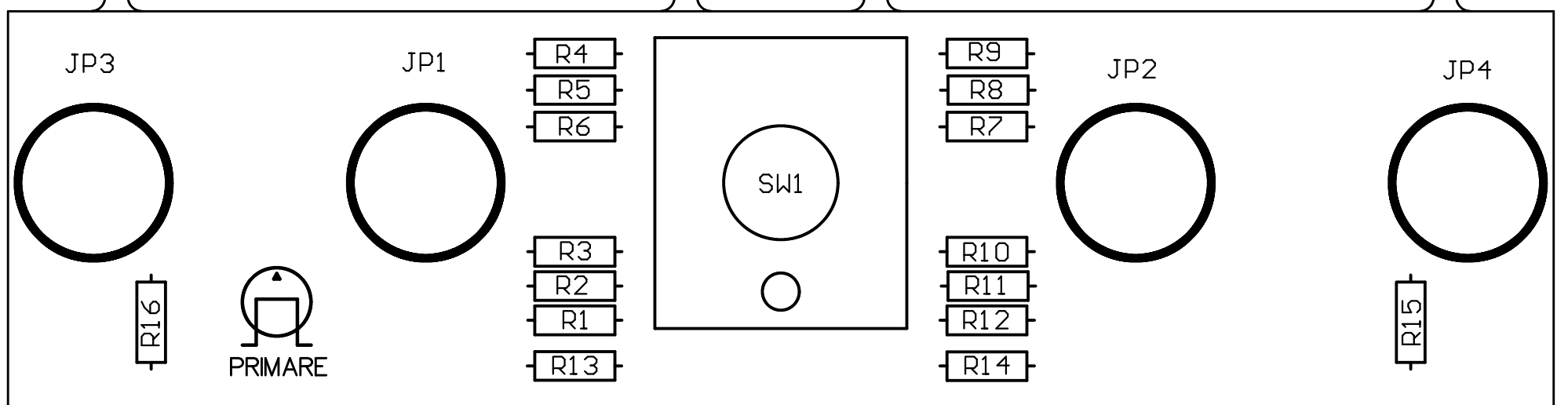
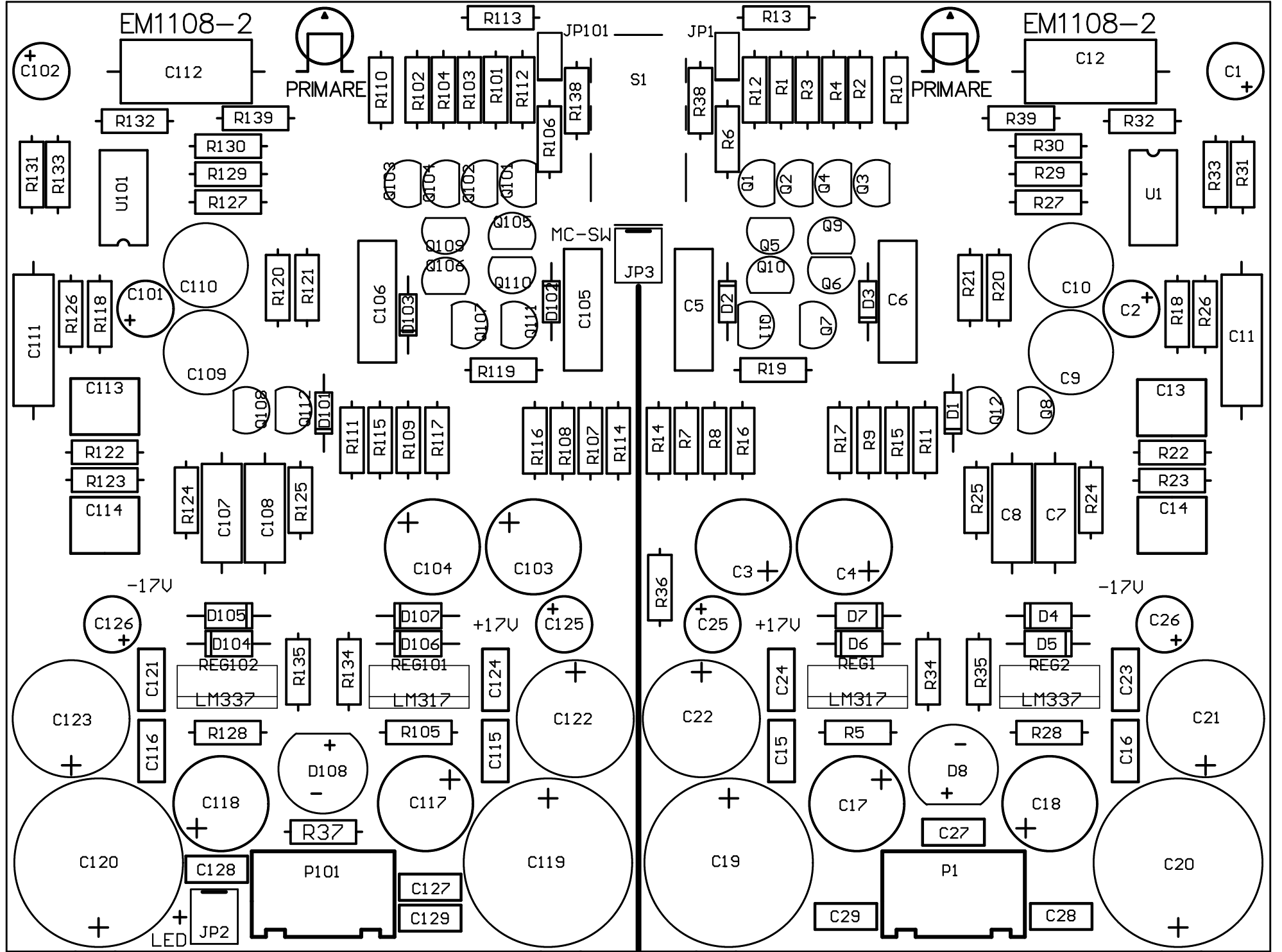
1. CIRCUIT DIAGRAMS
2. TECHNICAL SPECIFICATIONS



Title			<b>MM/MC AMP</b>		
Size	Number	Revision			
A3	<b>EM1108</b>				
Date:	16-Feb-2001	Sheet of	1/2		
File:	E:\PRIMARE\R20\SCH\EM1108A2.SCH	Drawn By:	BN		



Title			
<b>MM/MC AMP</b>			
Size	Number	Revision	
A3	<b>EM1108</b>		
Date:	16-Feb-2001	Sheet of	2/2
File:	E:\PRIMARE\R20\SCHEM1108B2.SCH	Drawn By:	BN



# TECHNICAL SPECIFICATIONS

Gain	MM 35/41dB, MC55dB
Output impedance	100 ohm
Riaa accuracy	50HZ-20KHZ +/-0.2db
Signal to noise A-weighted	MM 80 dB, MC 75dB

Powre consumption	< 9 W
-------------------	-------

DIMENSIONS (WXDXH)	215X275X75 MM
Weight	4Kg

