

**PRIMARE**



**I21 Integrated Amplifier  
Service Manual**

1. Circuit Diagrams

2. Adjustment

3. Technical Specifications

**Confidential !**

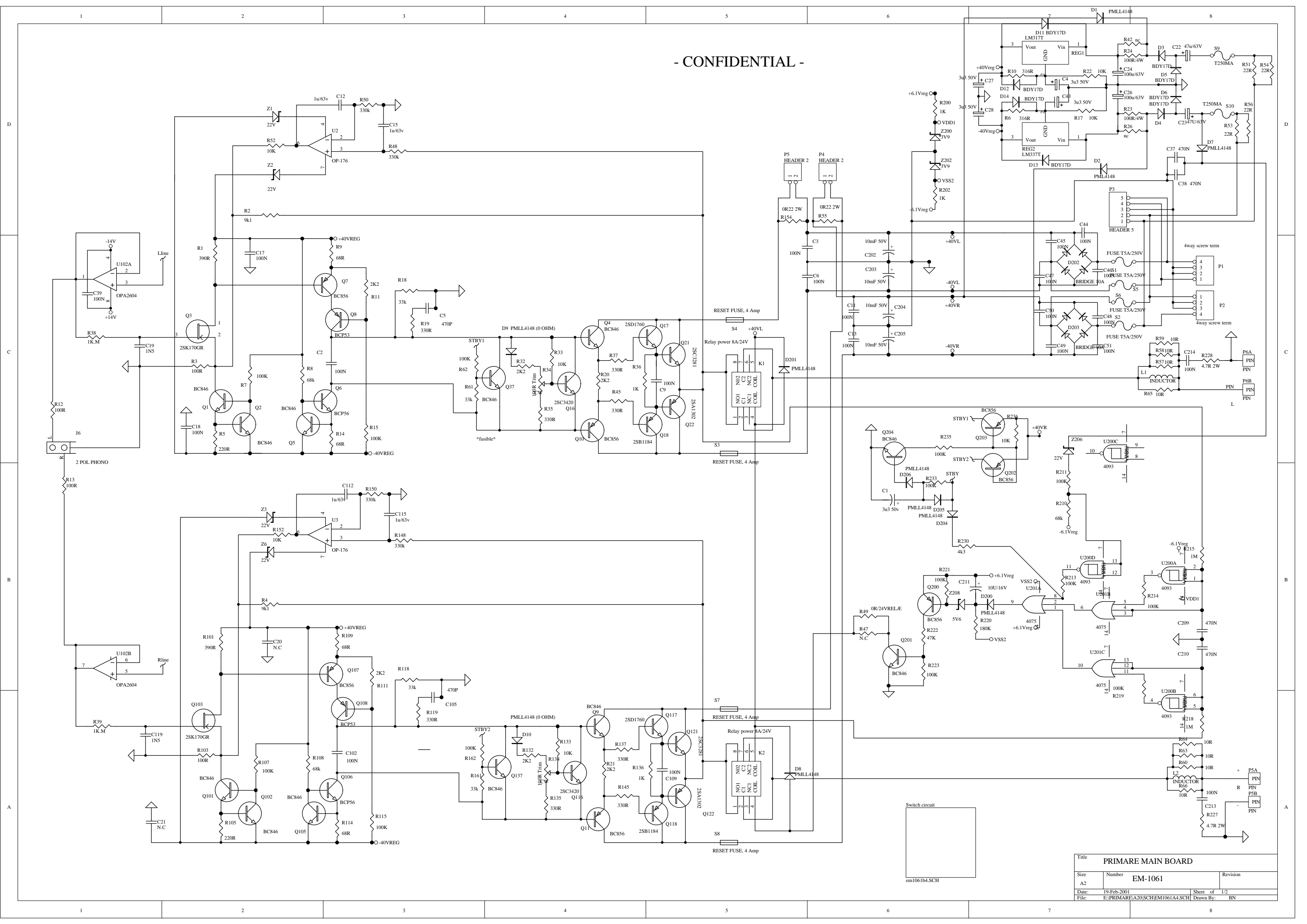
This document is not allowed to show for third part without written permission from Primare Systems AB.

This document is subject to change without notice.

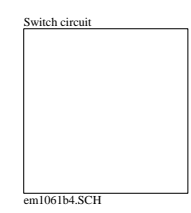
**Author:**

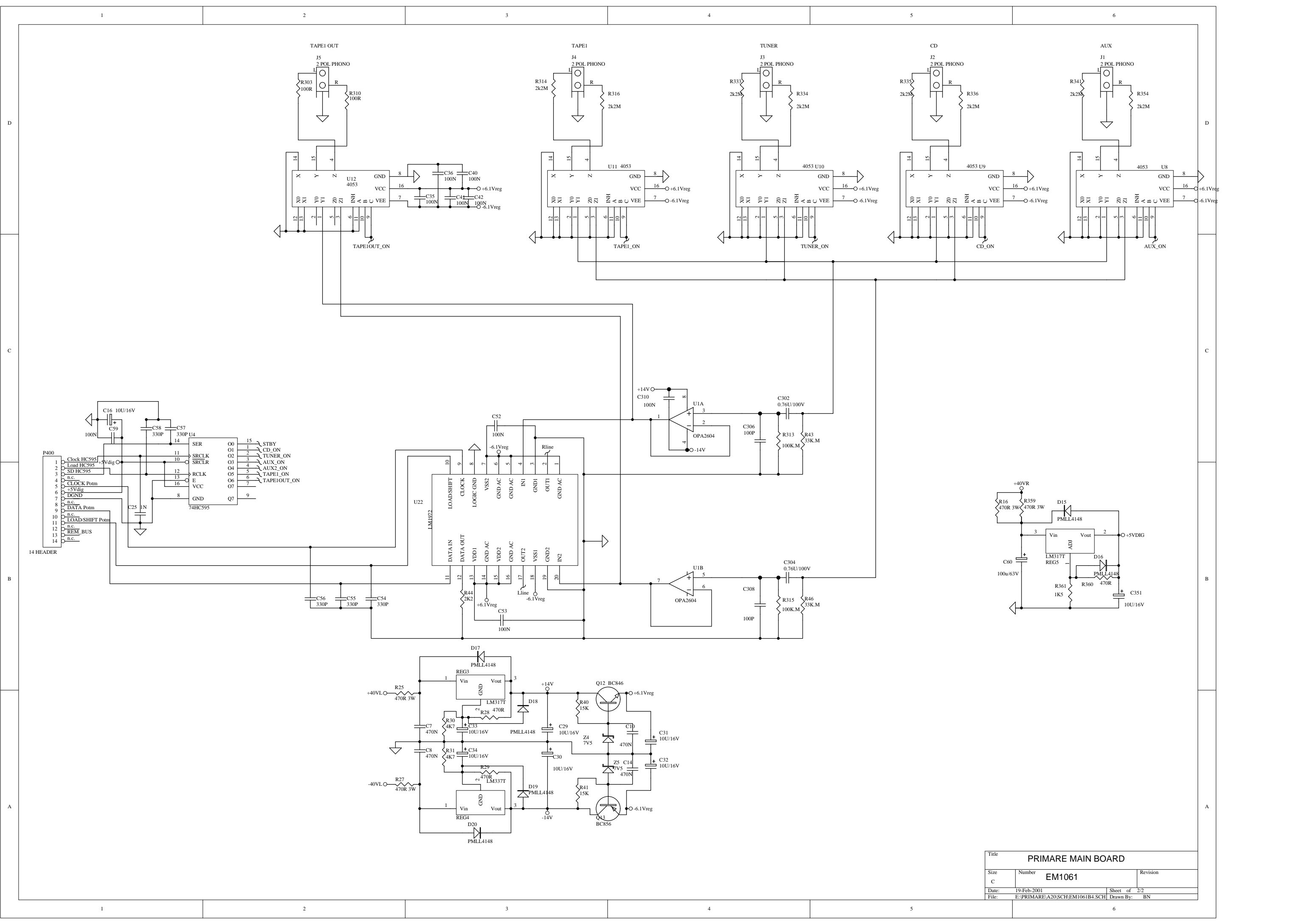
Bjorn Holmqvist  
Primare Systems AB  
bjorn@primare.net

- CONFIDENTIAL -



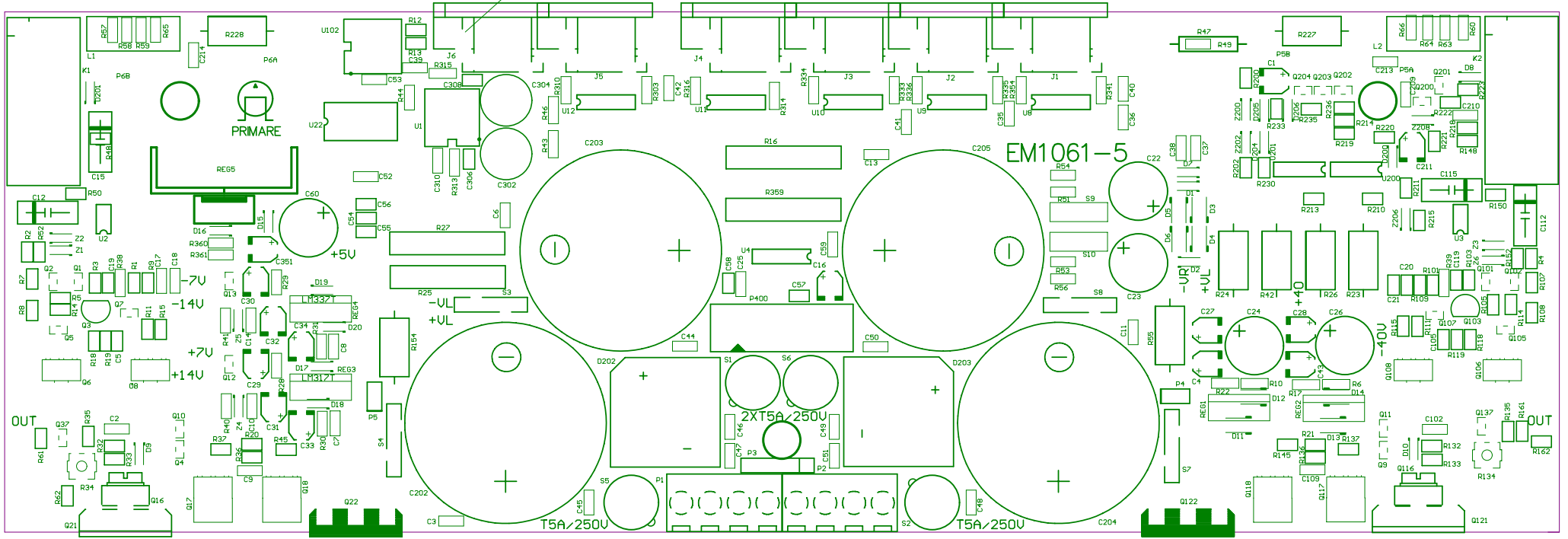
Title			PRIMARE MAIN BOARD		
Size	Number	EM-1061		Revision	
A2					
Date:	19-Feb-2001	Sheet of 1/2		Drawn By: BN	
File:	E:\PRIMARE\A20\SCHEM1061A4.SCH				





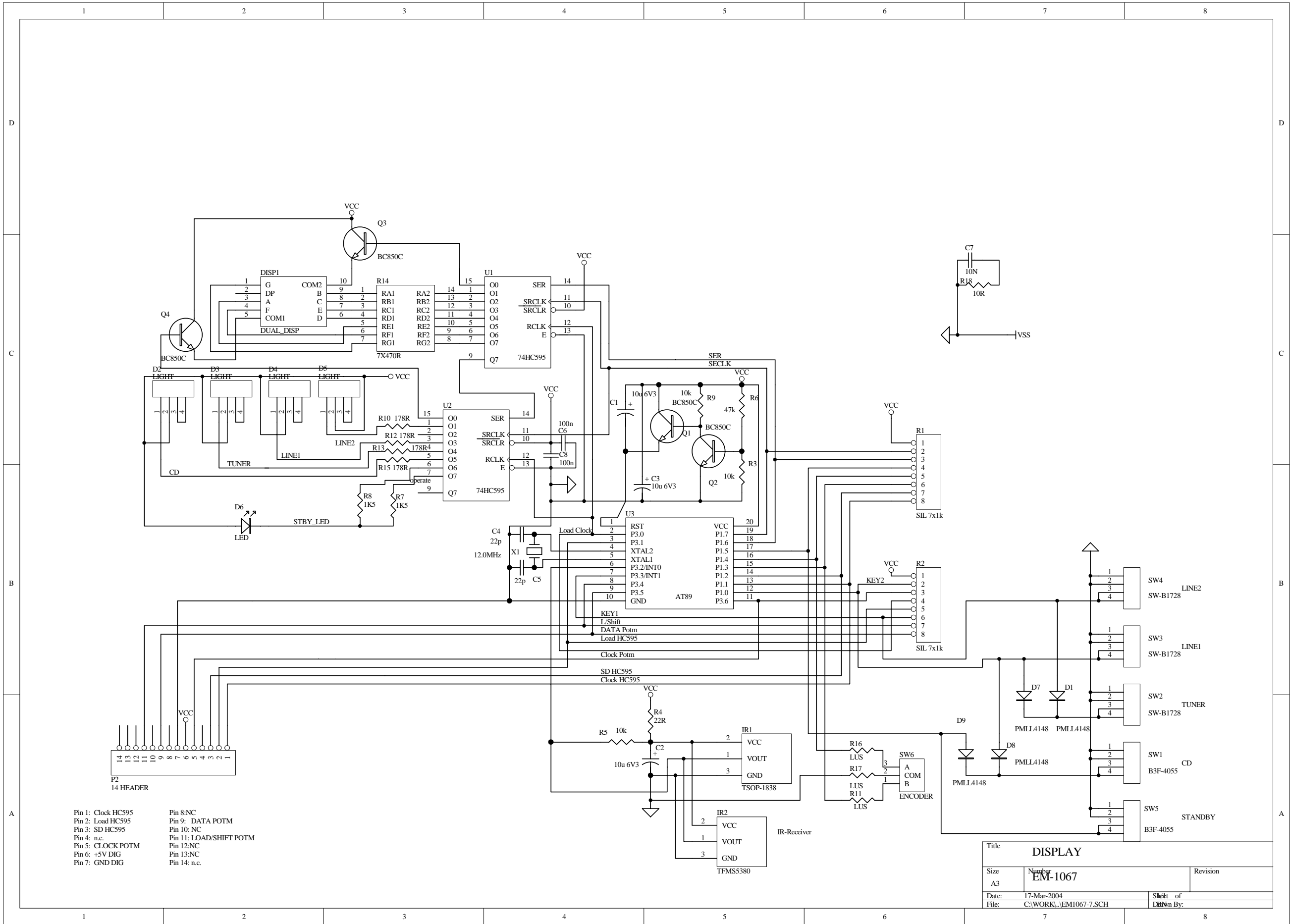
Title			PRIMARE MAIN BOARD		
Size	Number	EM1061		Revision	
C					
Date:	19-Feb-2001	Sheet of 2/2		Drawn By: BN	
File:	E:\PRIMARE\A20\SCH\EM1061B4.SCH				

12 times 2.4x5.4mm slots



270 (mm)

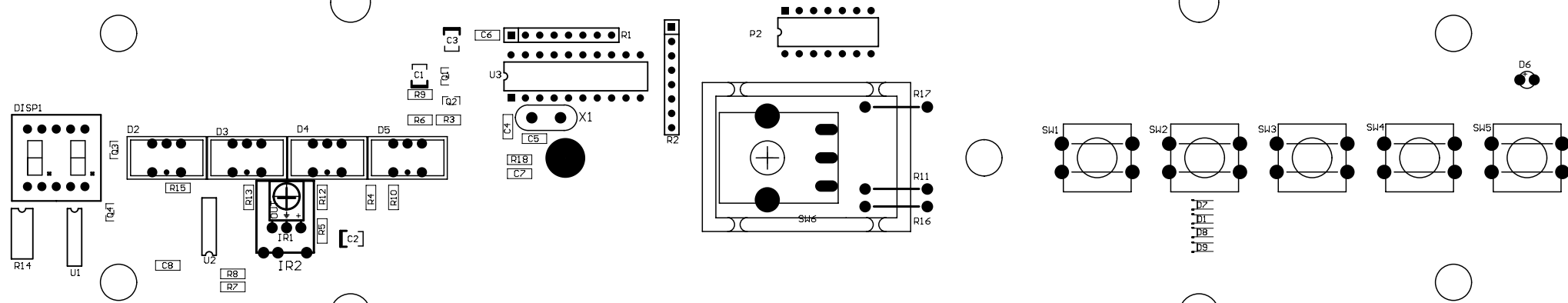
Mechanical Layer 1

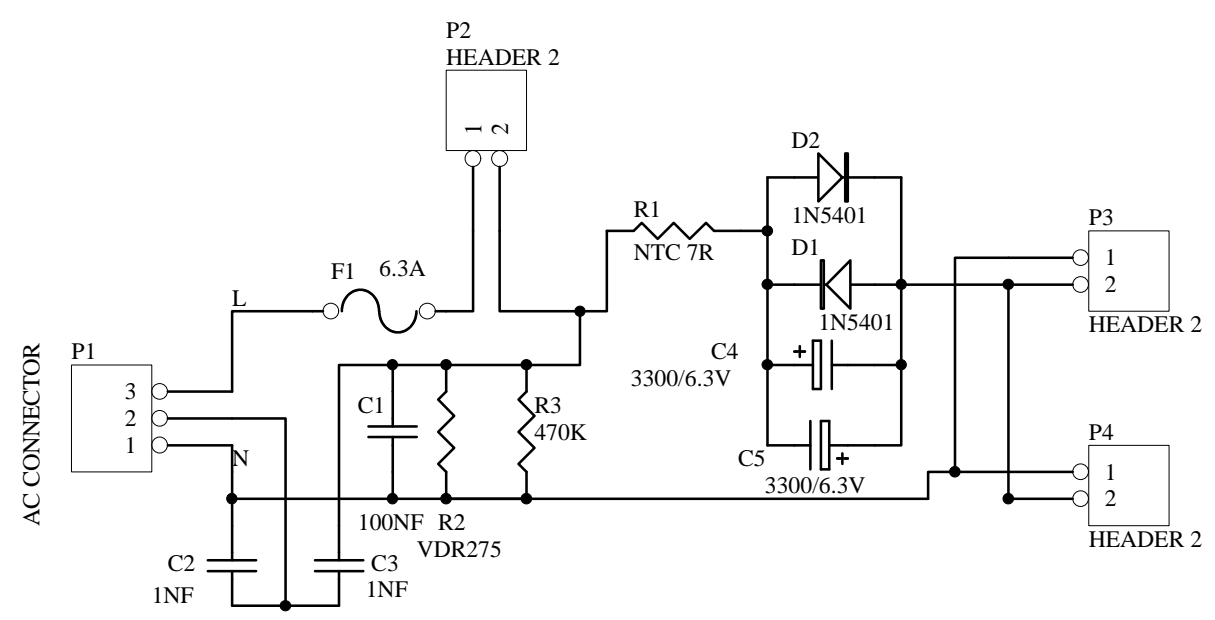


Pin 1: Clock HC595  
 Pin 2: Load HC595  
 Pin 3: SD HC595  
 Pin 4: n.c.  
 Pin 5: CLOCK POTM  
 Pin 6: +5V DIG  
 Pin 7: GND DIG  
 Pin 8:NC  
 Pin 9: DATA POTM  
 Pin 10: NC  
 Pin 11: LOAD/SHIFT POTM  
 Pin 12:NC  
 Pin 13:NC  
 Pin 14: n.c.

Title		
DISPLAY		
Size	Number	Revision
A3	EM-1067	
Date:	17-Mar-2004	Sheet of
File:	C:\WORK\EM1067-7.SCH	Drawn By:

EM1067-7



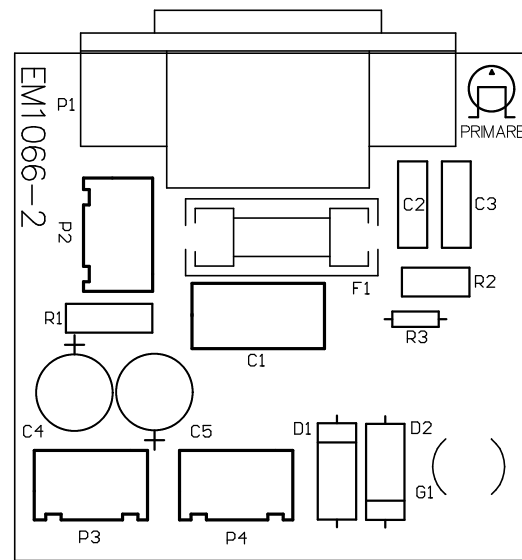


D  
C  
B  
A

D  
C  
B  
A

Title		MAIN	
Size	Number	Revision	
A4	EM1066-1		
Date:	19-Feb-2001	Sheet of	1/1
File:	E:\PRIMARE\A20\SCH\EM1066-1.SCH	Drawn By:	BN





## IDLE CURRENT ADJUSTMENT

- 1: Remove the jumper on P5 (P4)
- 2: Connect the voltmeter between pin 1 and pin 2 on P5  
( pin 1 and pin 2 on P4)  
ADJUST R34 ( R134 ) TO 22mV
3. After the power has been on for 60 min  
readjust R34 (R134)
4. Remove the voltmeter. And connect the jumper again.

Instructions apply to the Left channel.  
Instructions given in brackets apply to the  
Right channel.

# TECHNICAL SPECIFICATIONS

Sensitivity RCA	300mV
Output power	2x70 W/8 ohm 2x110 W/4 ohm
Peak current	+/- 20A
Output impedance	0.08 ohm
Frequency response	<10HZ-100KHZ, -3db
Signal to noise A-weighted	98 dB
THD+noise	0.08%
Standby	<15 W
DIMENSIONS (WXDXH)	430X275X95 MM
Weight	12Kg