



**PRIMARE**



**DVD 26 Disc Player  
Service Manual**

# 1. Circuit Diagrams

# 2. Technical Specifications

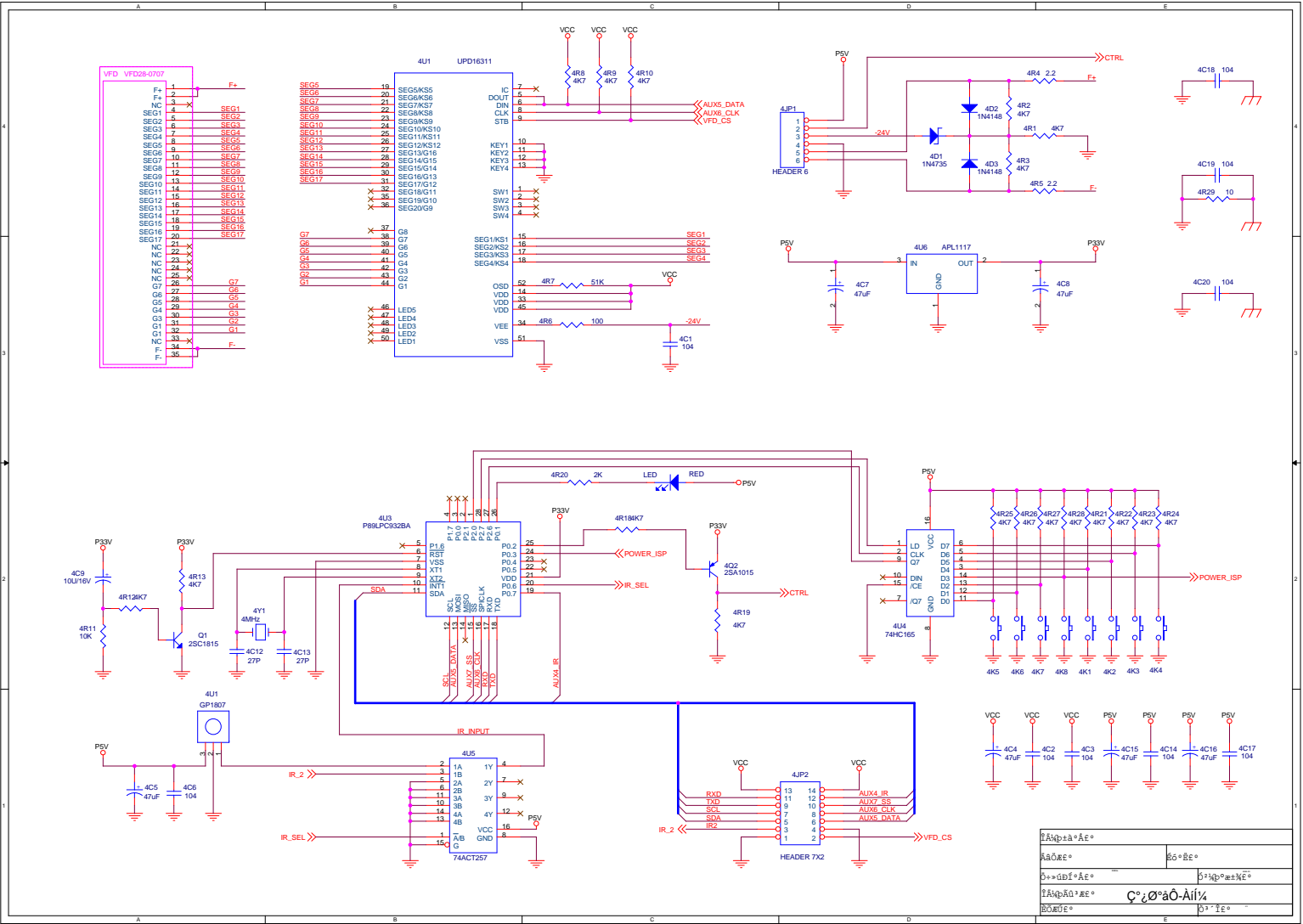
## **Confidential !**

This document is not allowed to show for third part without written permission from Primare Systems AB.

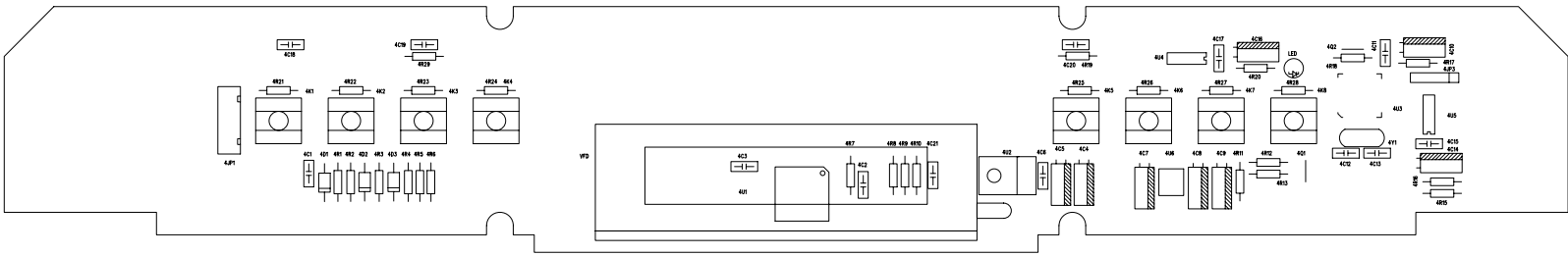
This document is subject to change without notice.

### **Author:**

Bjorn Holmqvist  
Primare Systems AB  
bjorn@primare.net

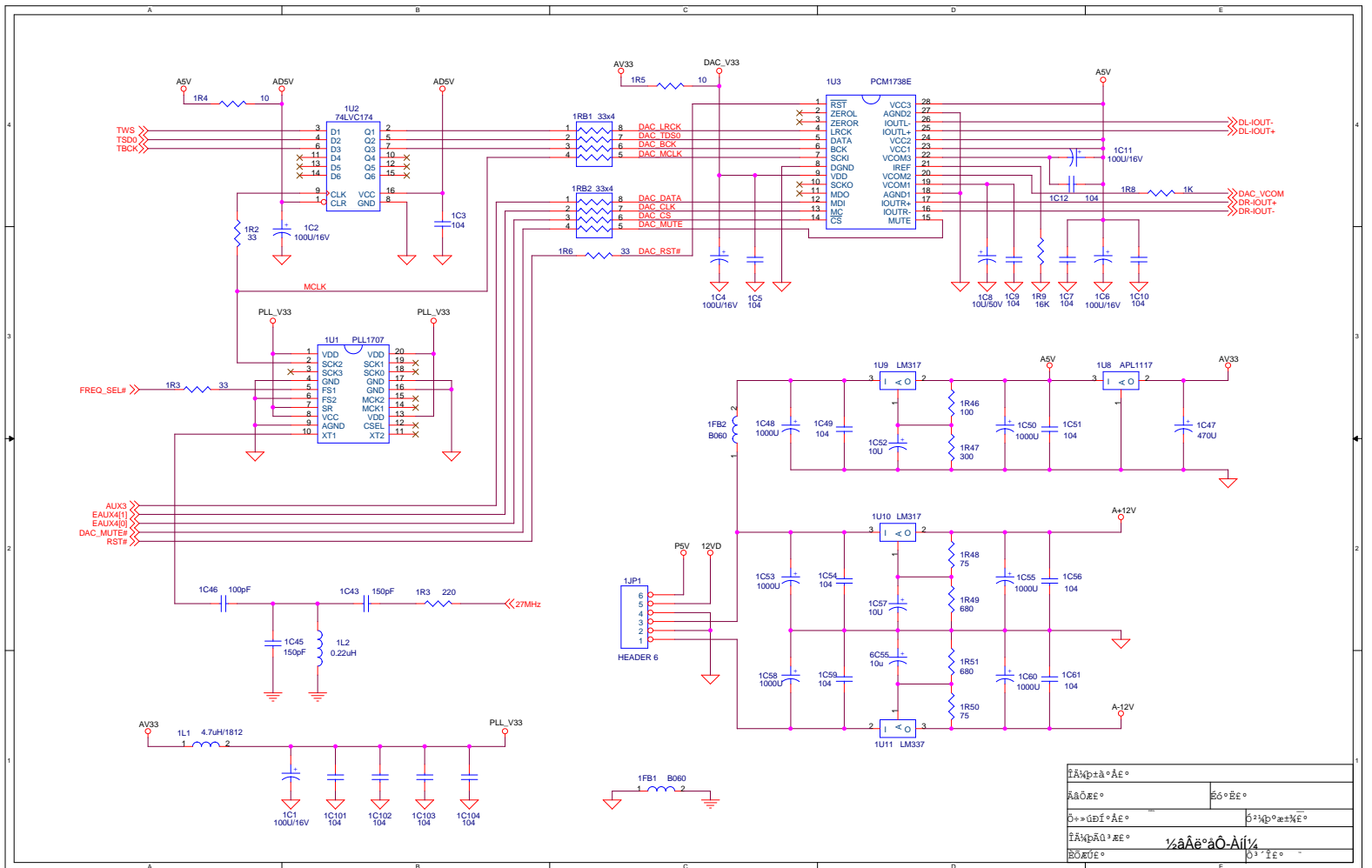


ИАНР±А·АЕ°	Б°БЕ°
АА°АЕ°	Б°БЕ°
Д±±ГБЕ°АЕ°	Б±±Д±±АЕ°
ИАНР±А·АЕ°	С°°Д°°А°°АИ°°
Б°БЕ°	Б°°ГЕ°





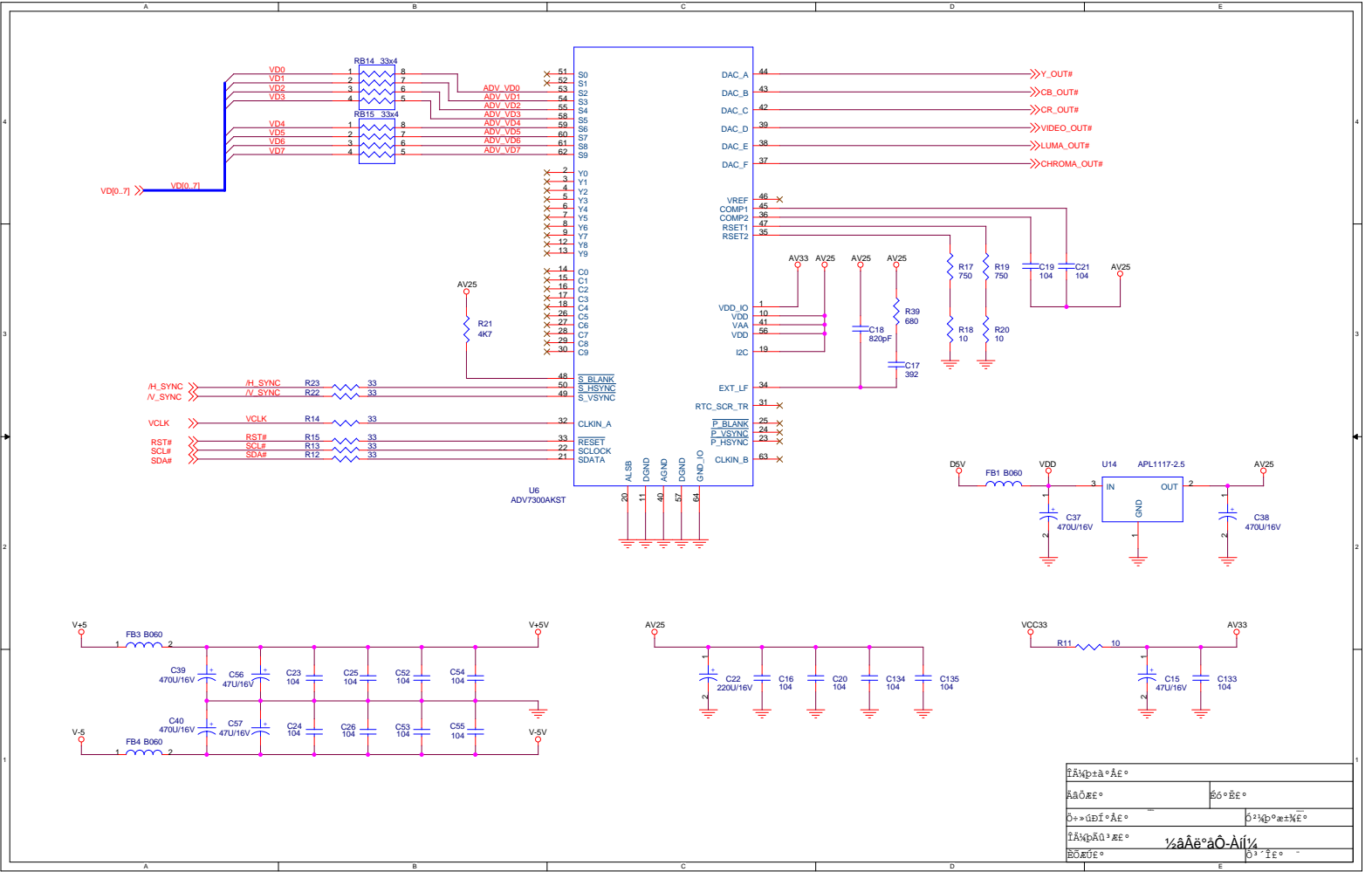




IA&D±à±ÀÈ°	
ÀÀÖÈÈ°	È°ÈÈ°
Ö±±üBÏ°ÀÈÈ°	Ï±±üB°±±NÈÈ°
IA&DÀÏ°ÀÈÈ°	½ÀÀÈÈ°ÀÏÏÏ
BÖXÜÈÈ°	Ï³°ÏÈÈ°

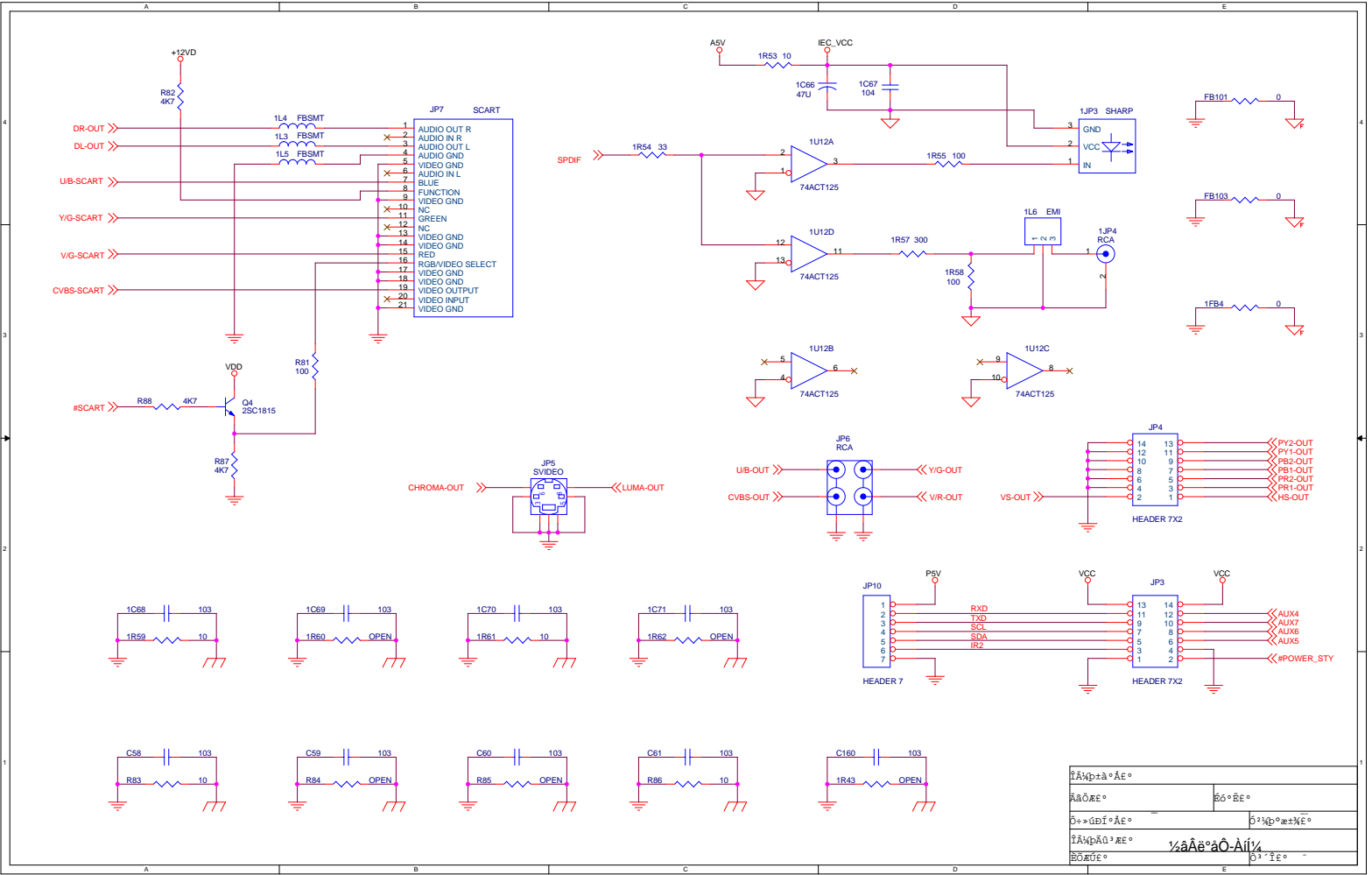


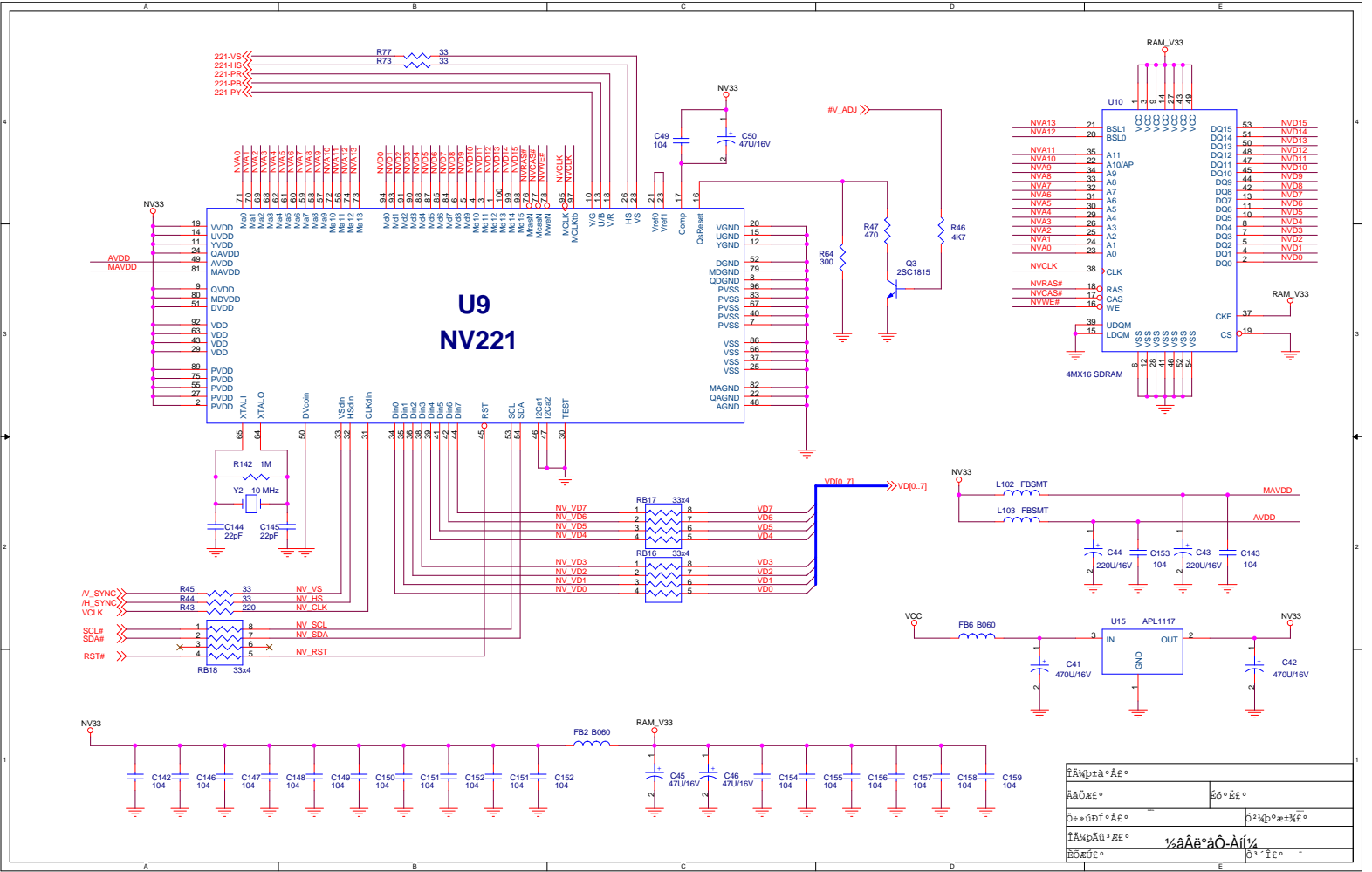




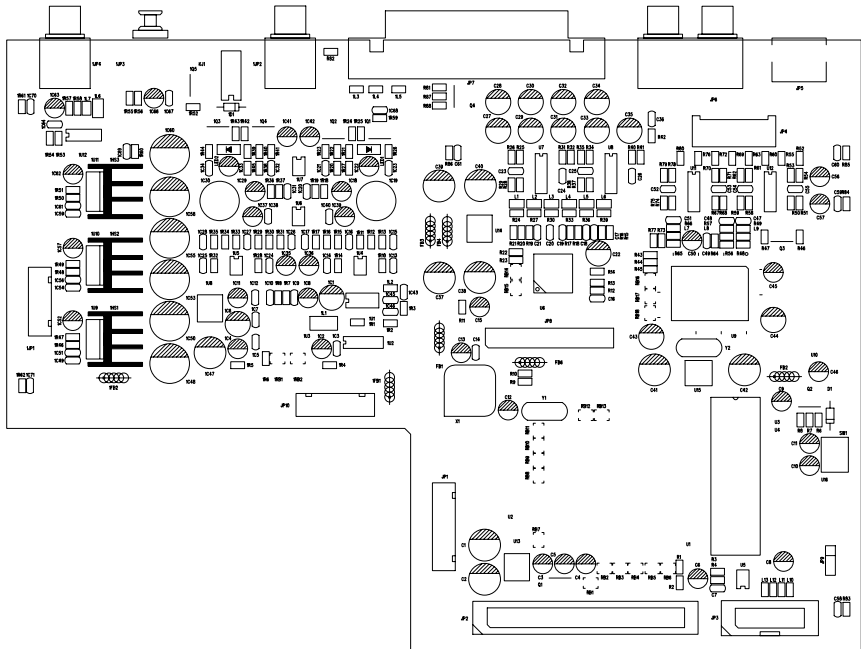
IA&D&A&AE°	
AA&OE°	EO°BE°
DA&DBI°AE°	DA&DB&A&AE°
IA&D&A&AE°	IA&D&A&AE°
BO&UE°	BO&UE°

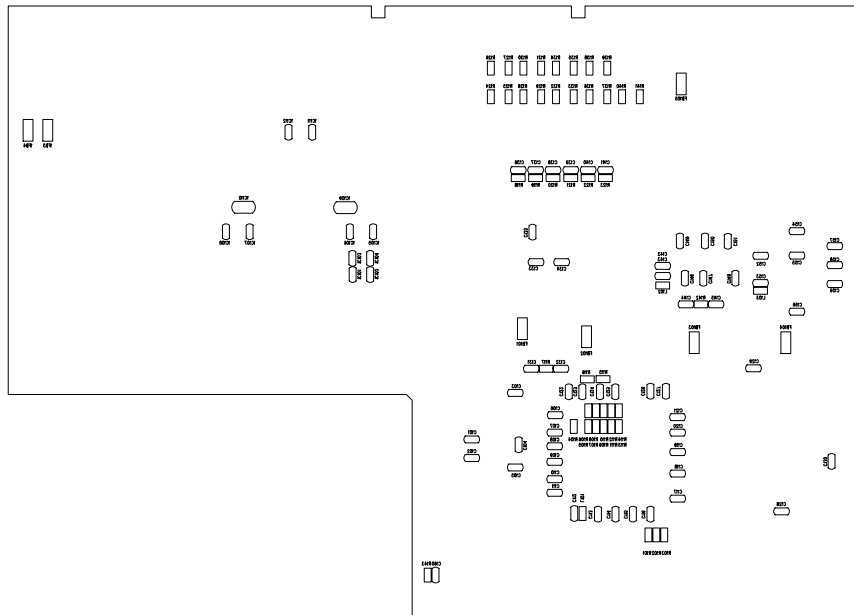




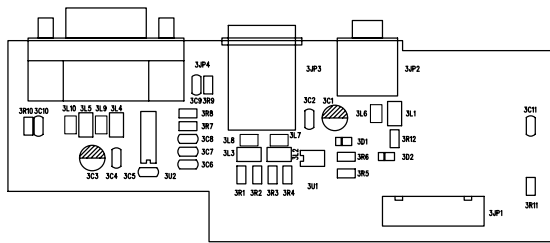


IA&D&A&E°	
AA&OE°	EO&EE°
DA&DE&A&E°	DA&DE&A&E°
IA&D&A&E°	IA&D&A&E°
BO&OE°	BO&OE°

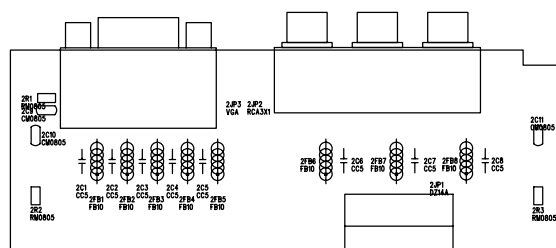


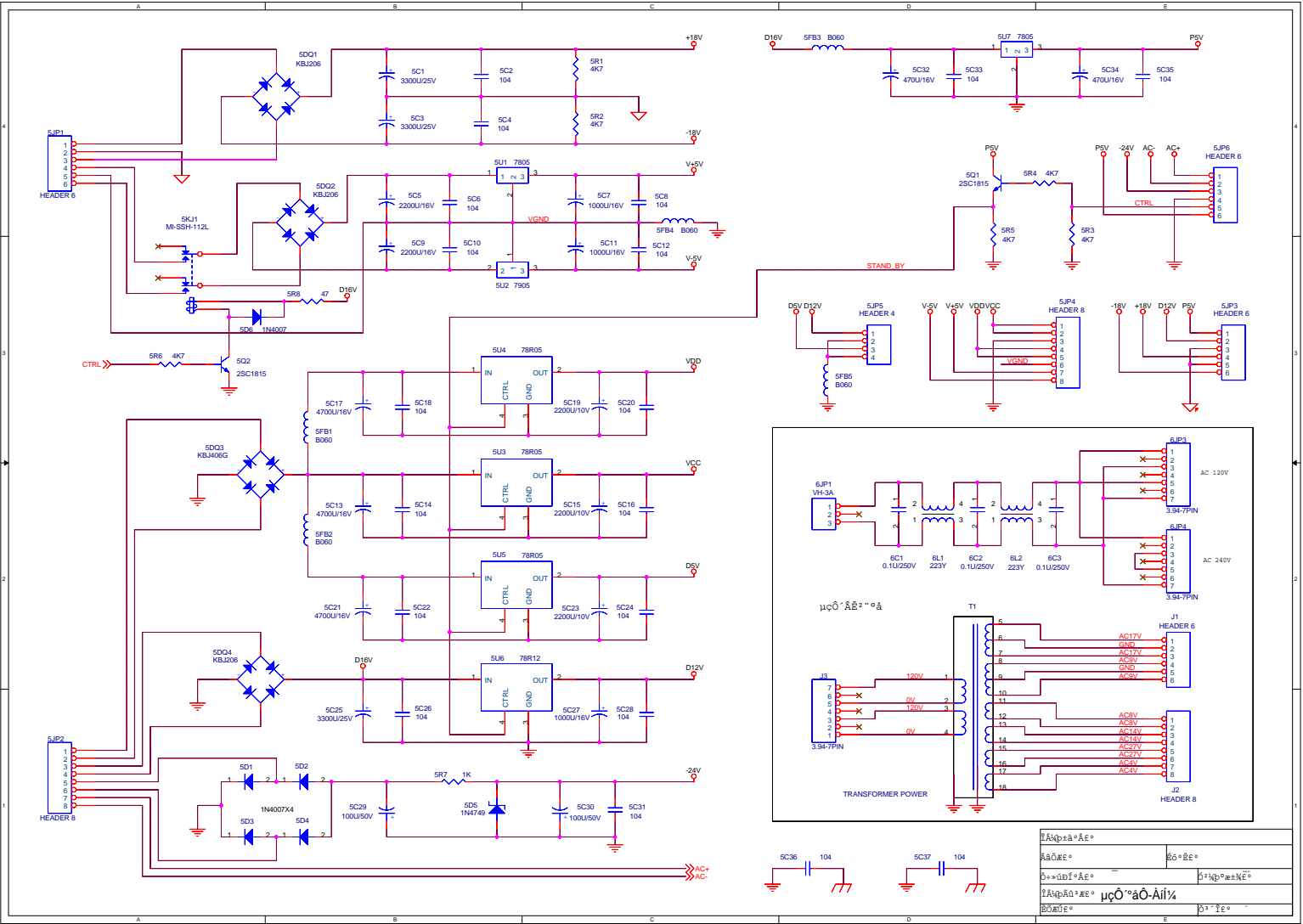


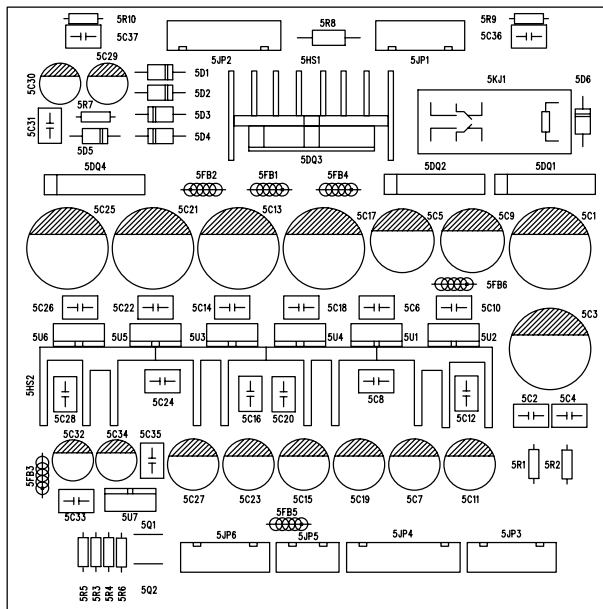


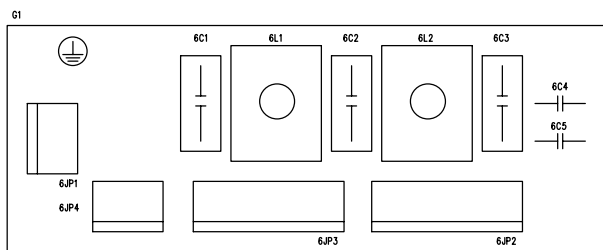












## INTRODUCTION

---

### Technical specification

#### Video Performance

**Features**

- Video Dac: Analog devices ADV7300A
- 108MHz/12bit
- DVS Ultra Silent
- Twin-Wave Laser Pickup for CD/Video CD/CD-R/CD-RW/DVD-R/RW (DVD Video Format)
- Slow Motion Playback (Except VCD Reverse)
- JPEG Playback

#### Audio Performance

**Features**

- Audio Dac: Burr-Brown PCM1738
- 24bit/192kHz
- MP3 Playback Capability
- THD + Noise, 0.009% at 1 kHz
- Dynamic range, 100dB
- Signal-to-noise Ratio, 100dB
- Channel separation, 100 dB
- Output Level, 2.0V
- Dolby® Digital and dts® Digital Outputs
- Dolby® Digital and dts® Downmixing -> 2-ch

#### Convenience Features

- Resume Function (DVD)
- Repeat Mode
- Program Play (CD's only)

#### Output Terminals Video

- Component Video (Y, Cr, Cb) Output x 1 (Gold Plated), interlaced
- Component Video (Y, Cr, Cb) Output x 1 (Gold Plated), progressive
- S-Video x 1 (Gold Plated)
- Composite Video Output x 1 (Gold Plated)
- 21-pin Scart x 1, RGB compatible
- VGA x 1, progressive

#### Output Terminals Audio

- Dolby® Digital/dts®/LPCM Coaxial Output x 1
- Dolby® Digital/dts®/LPCM Optical Output x 1
- Analog Output x 1 (2 x RCA) (Gold Plated)

#### Output Terminals Others

- IR input, 3,5 mm
- Data input,
- RS232 input

#### Construction

- 2mm Heavy Duty chassis.

#### Power Consumption

- Operating: 35 W, Standby: 10 W

#### Dimensions (WxHxD)

- 430 x 100 x 380 mm

#### Weight

- 10,5 kg