

A30.5 FIVE-CHANNEL AMPLIFIER

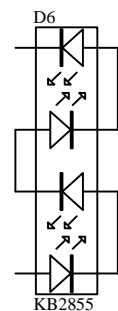
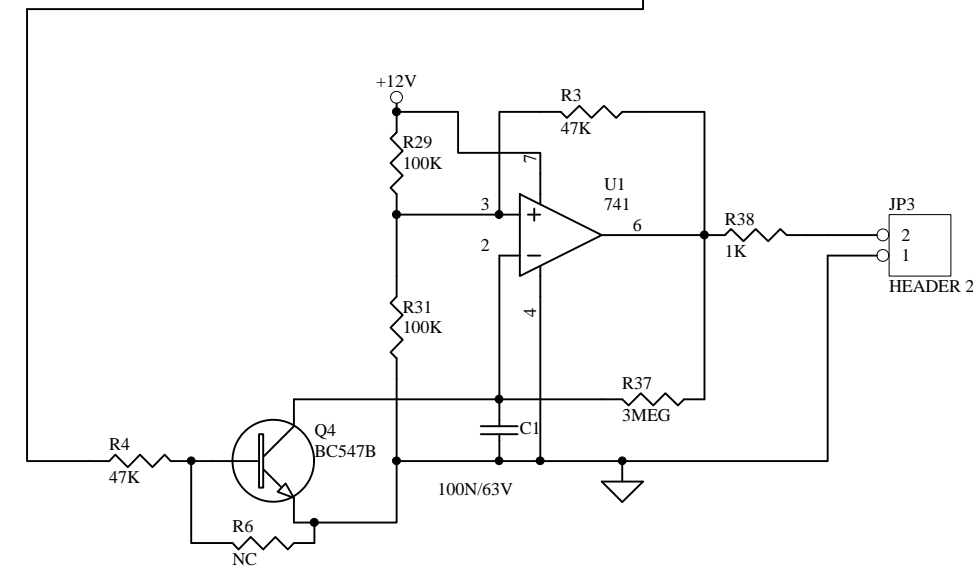
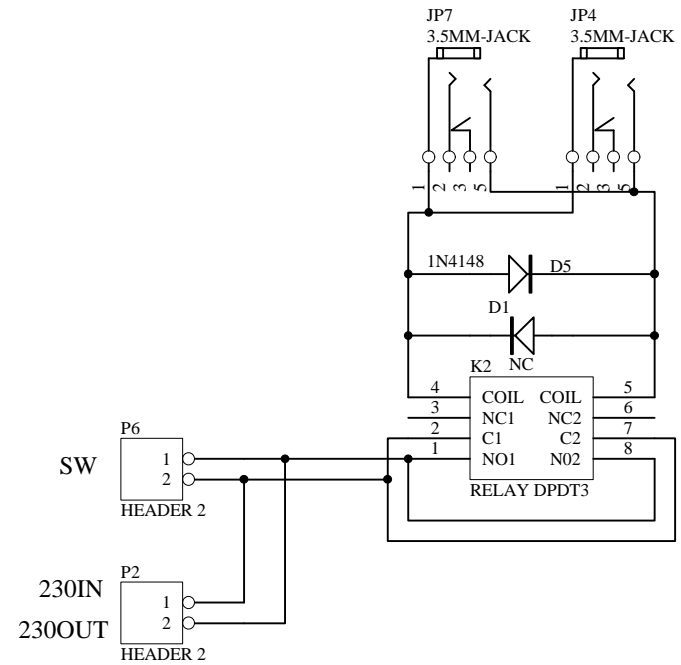
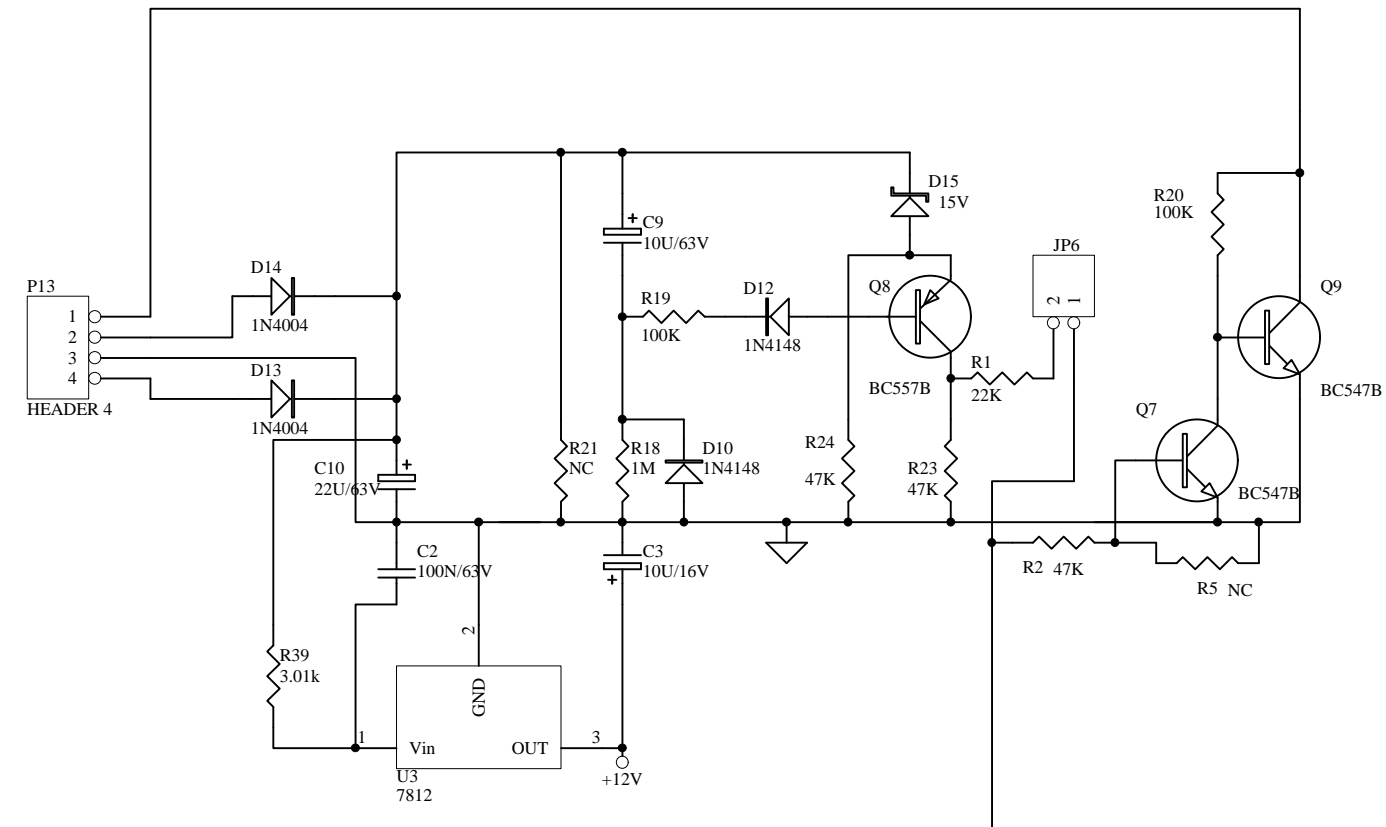
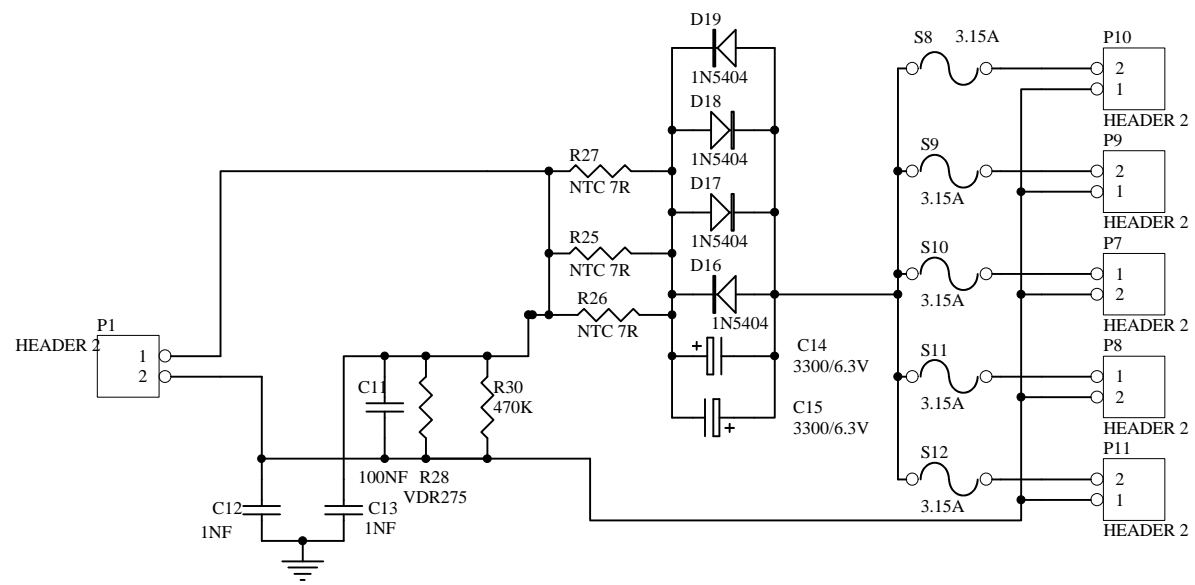
A30.5 POWER AMPLIFIER SERVICE MANUAL

CONTENTS

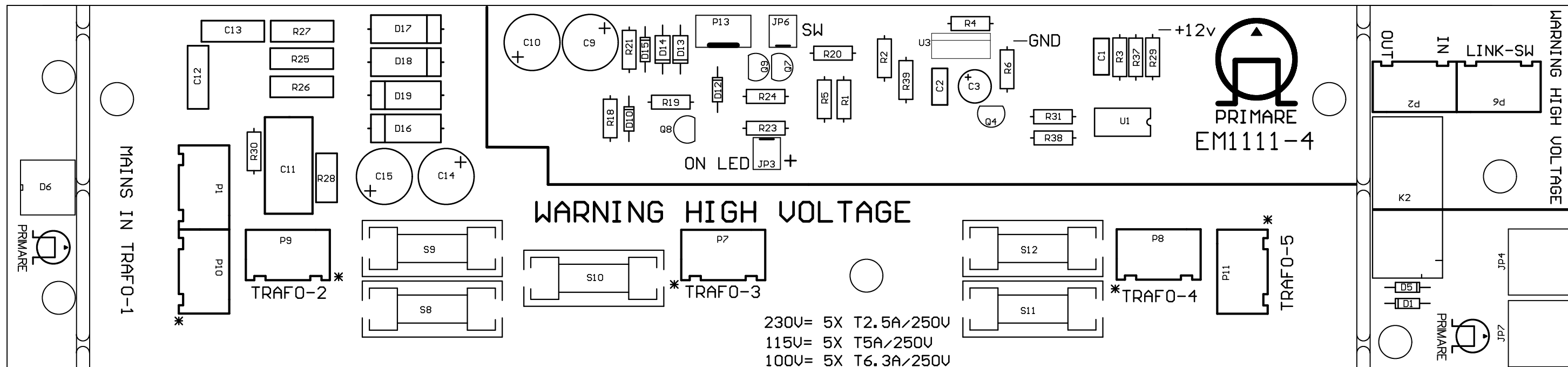
1. CIRCUIT DIAGRAMS
2. ADJUSTMENT
3. TECHNICAL SPECIFICATIONS

IDLE CURRENT ADJUSTMENT

- 1: Switch on the amplifier and leave unit on for at least 15min.
- 2: Connect a voltmeter to JP3 and adjust potentiometer R71 to 15mV +/-1mV
- 3: After the power has been on for 30 min readjust R71 for 15mV +/-1mV



Title			STANDBY		
Size	Number			Revision	
B	EM1111				
Date:	15-Feb-2001	Sheet of		1/1	
File:	E:\PRIMARE\A30-5\SCH\EM1111-4.SCH	Drawn By:		BN	

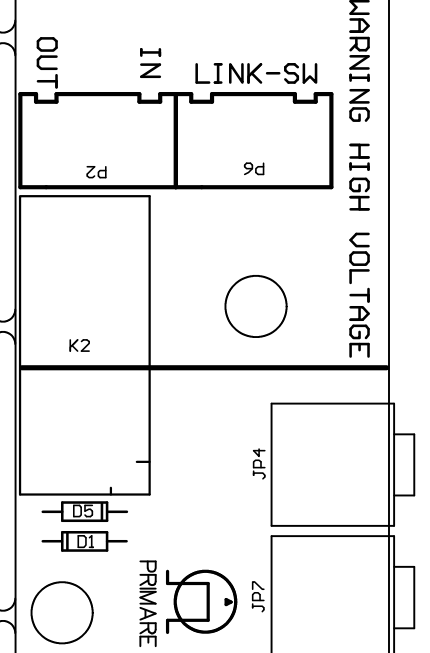
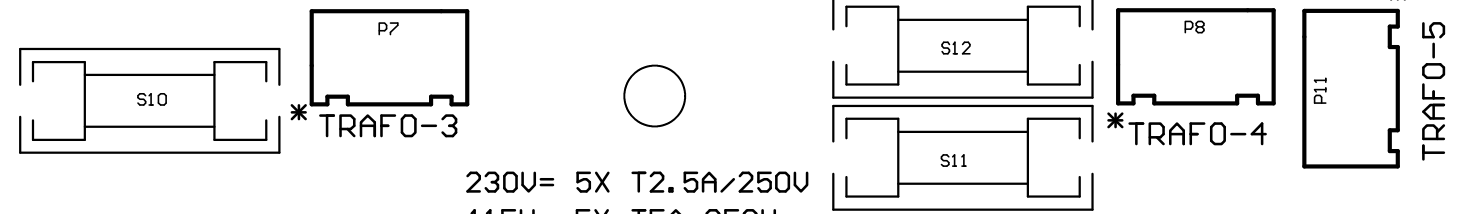
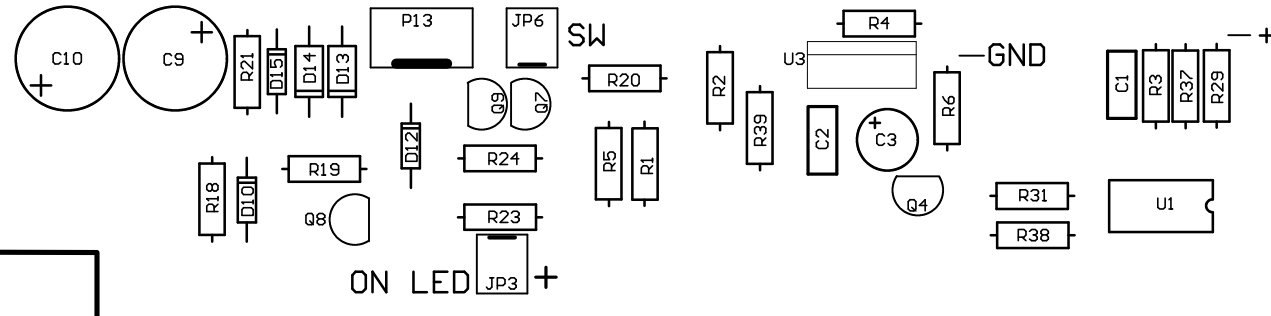
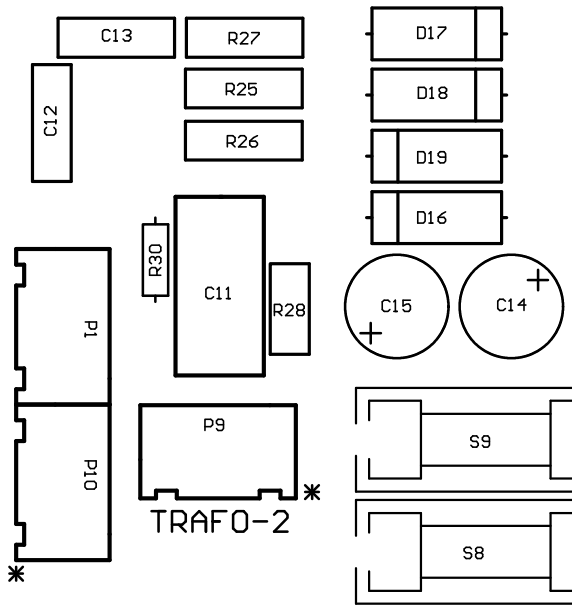
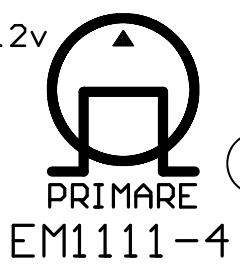


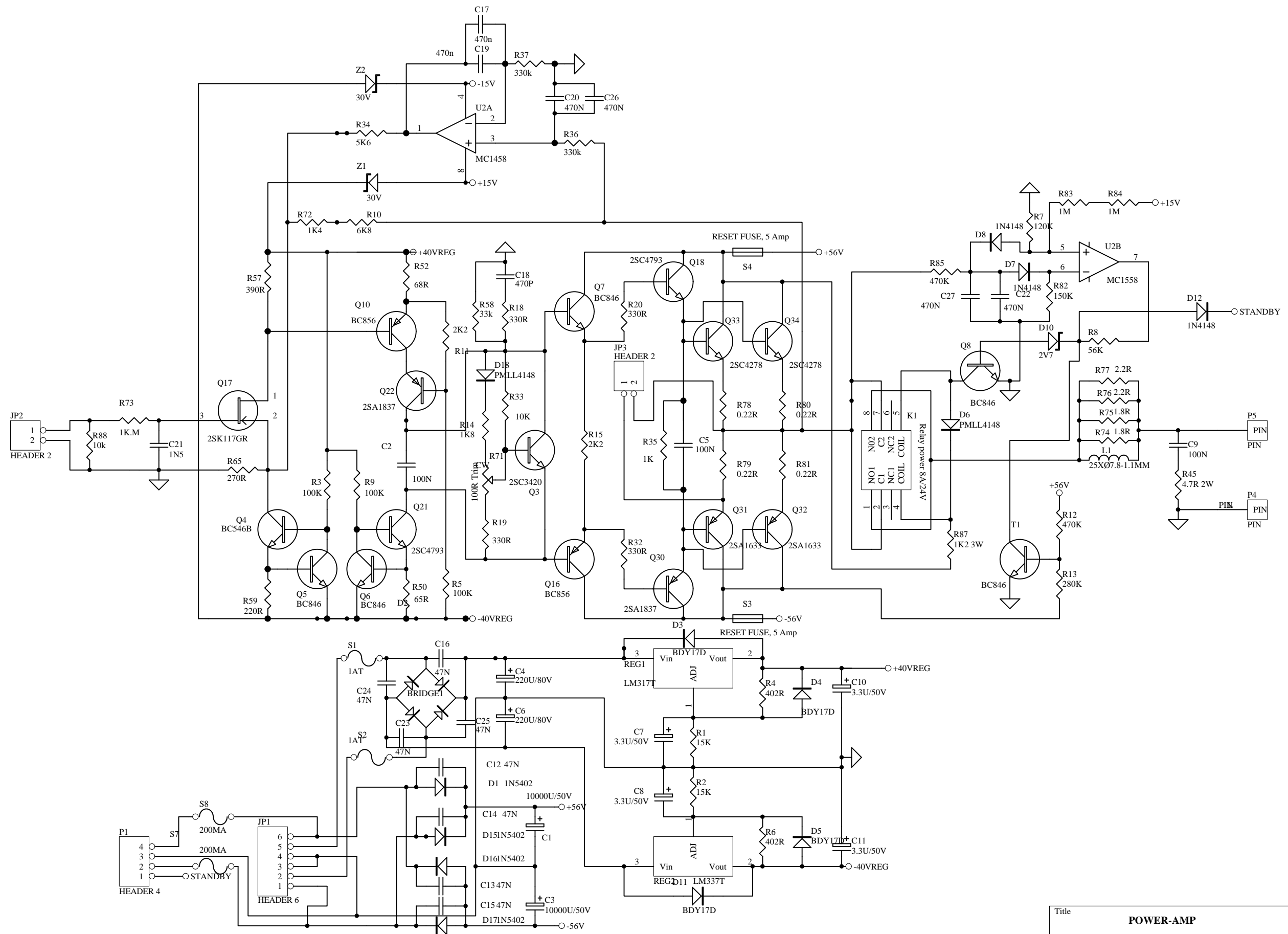
MAINS IN TRAF0-1

WARNING HIGH VOLTAGE

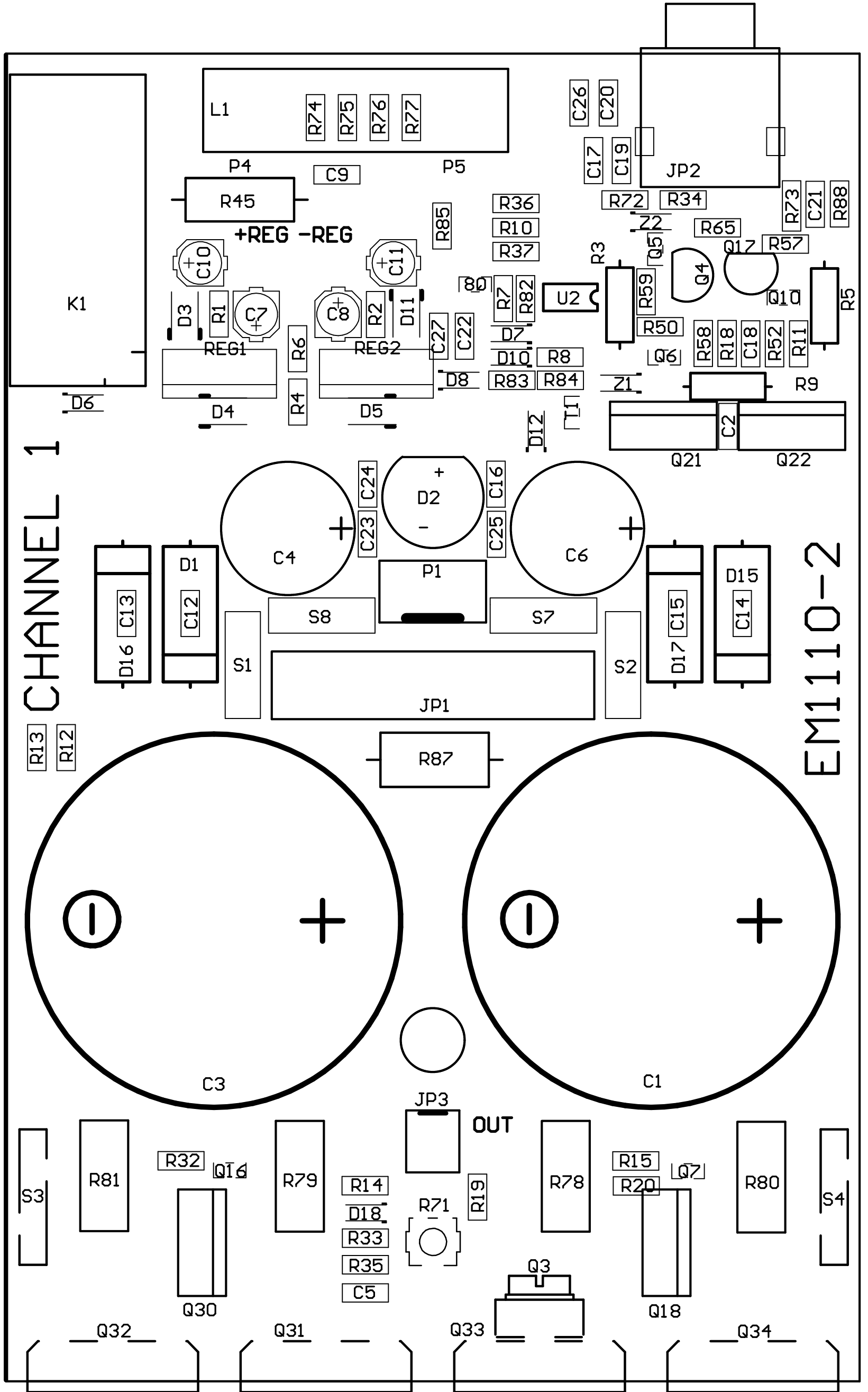
WARNING HIGH VOLTAGE

230V= 5X T2.5A/250V
 115V= 5X T5A/250V
 100V= 5X T6.3A/250V





Title			
POWER-AMP			
Size	Number	Revision	
A3	EM1110		
Date:	15-Feb-2001	Sheet of	1/1
File:	E:\PRIMARE\A30-5\SCH\EM1110-1.SCH	Drawn By:	BN



CHANNEL 1

EM1110-2

TECHNICAL SPECIFICATIONS

Output power per channel	120W/8 ohm,200W/4 ohm
Output impedance	0.03 ohm
DC offset	< 5mV
Frequency response	< 10HZ-100KHZ -3db
Signal to noise A-weighted	100 dB
THD+ noise	< 0.08%

Standby	0W
---------	----

DIMENSIONS (WXDXH)	430X385X175 MM
Weight	27Kg