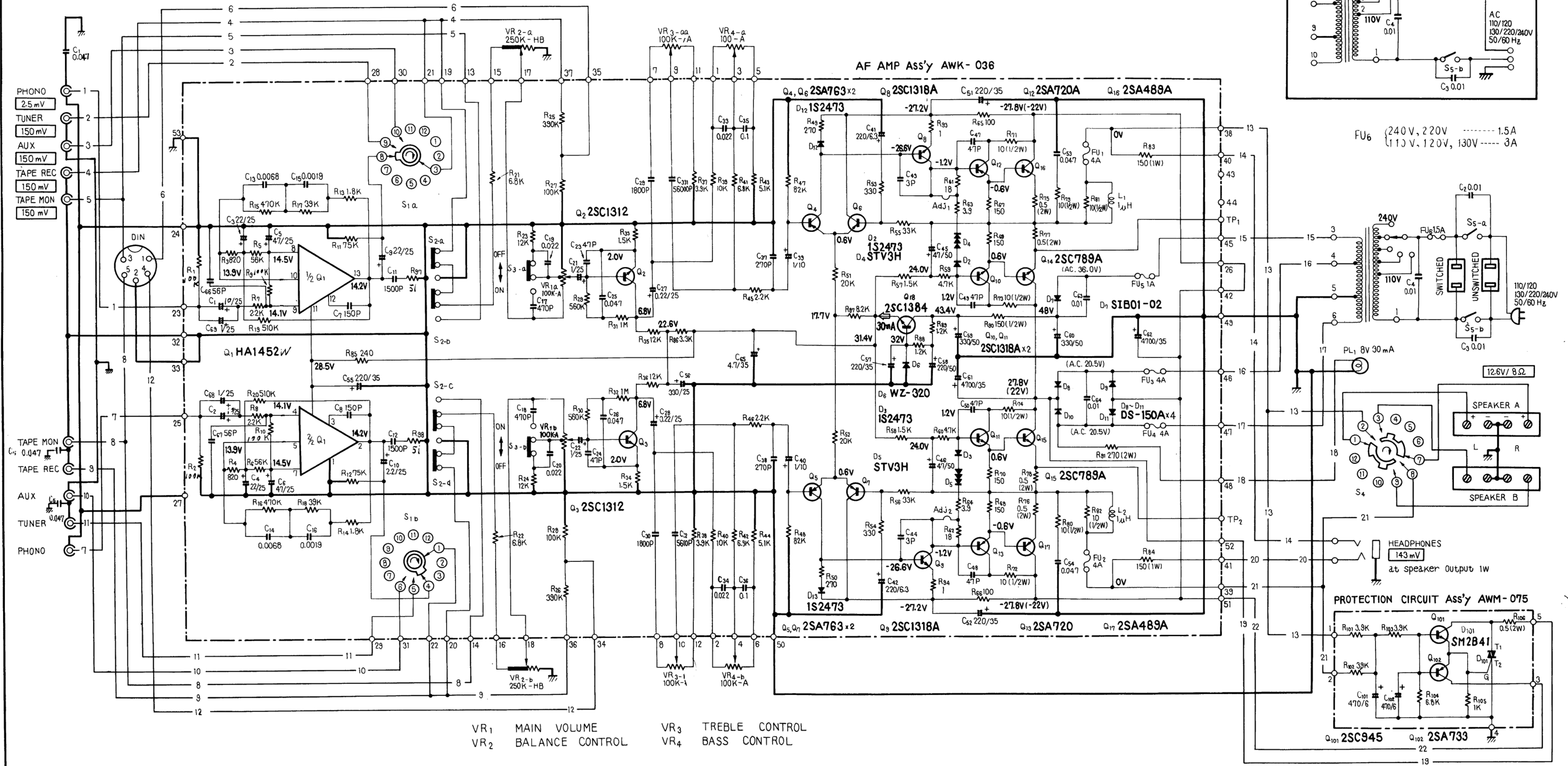


5-Line Voltage model

Manufactured for England



SWITCHES

- | | |
|-----------------------------|---------------------------------|
| S ₁ FUNCTION | S ₄ SPEAKER SELECTOR |
| 1. PHONO | 1. OFF |
| 2. TUNER | 2. A |
| 3. AUX | 3. B |
| | 4. A + B |
| S ₂ TAPE MONITOR | |
| OFF → ON | |
| LOUDNESS | |
| OFF → ON | S ₅ POWER SWITCH |
| | OFF → ON |

RESISTORS

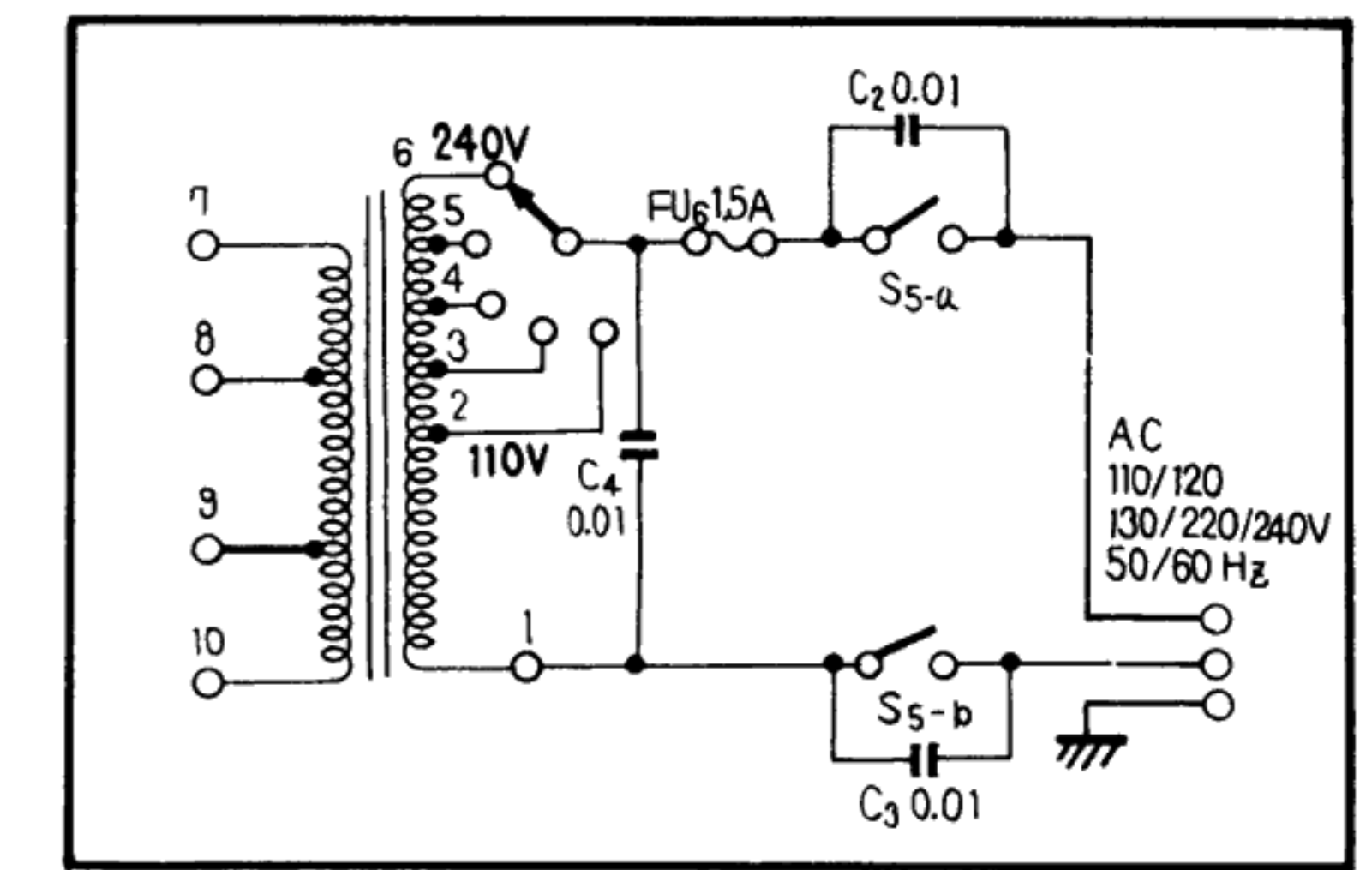
IN OHM, 1/4W, ±5% TOLERANCE UNLESS OTHERWISE NOTED. K: KΩ M: MΩ

CAPACITORS

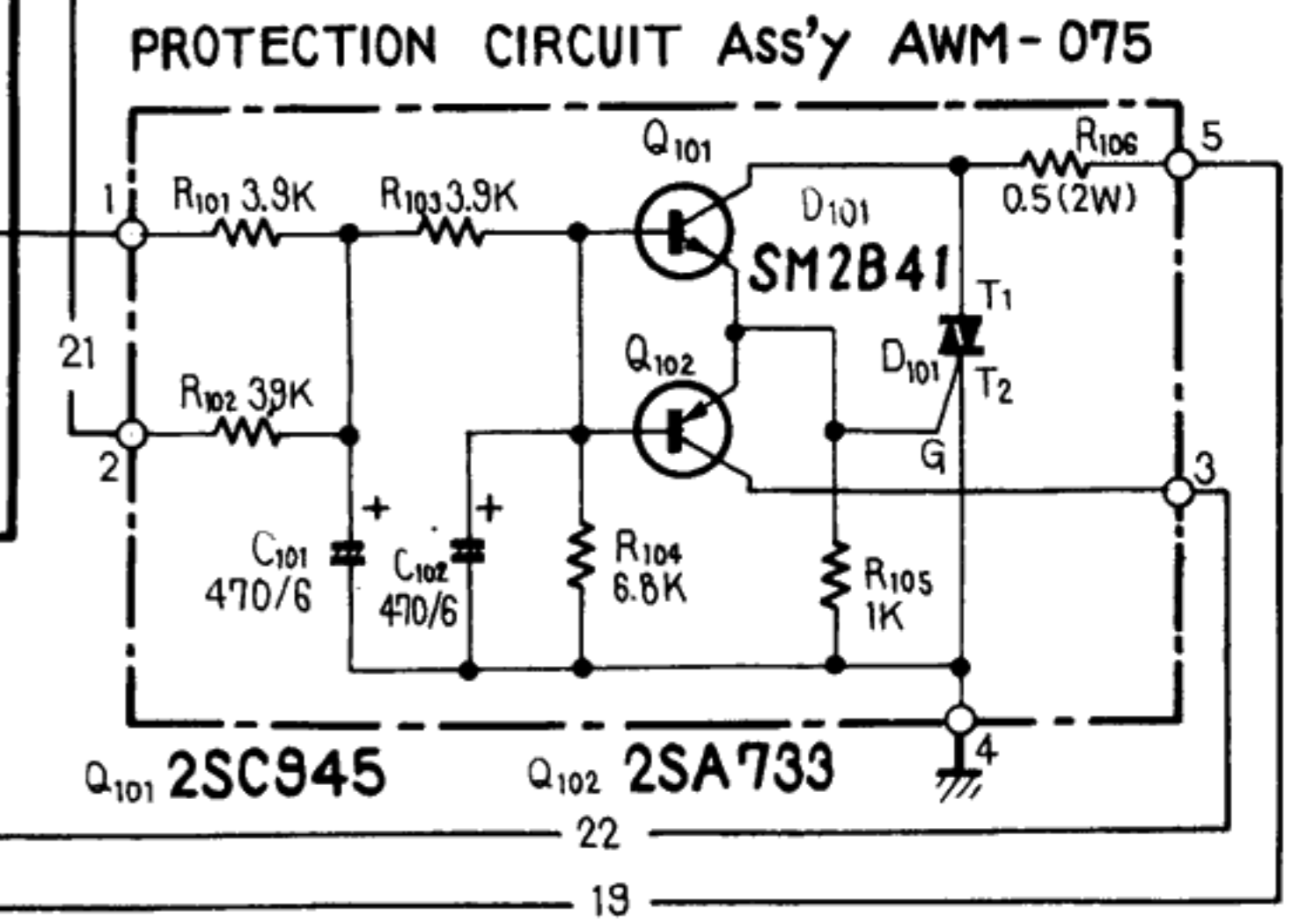
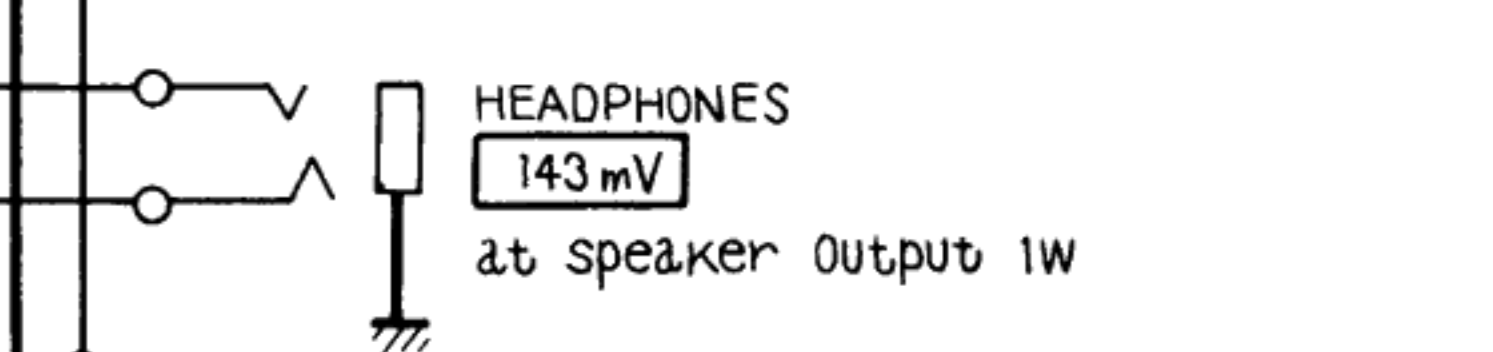
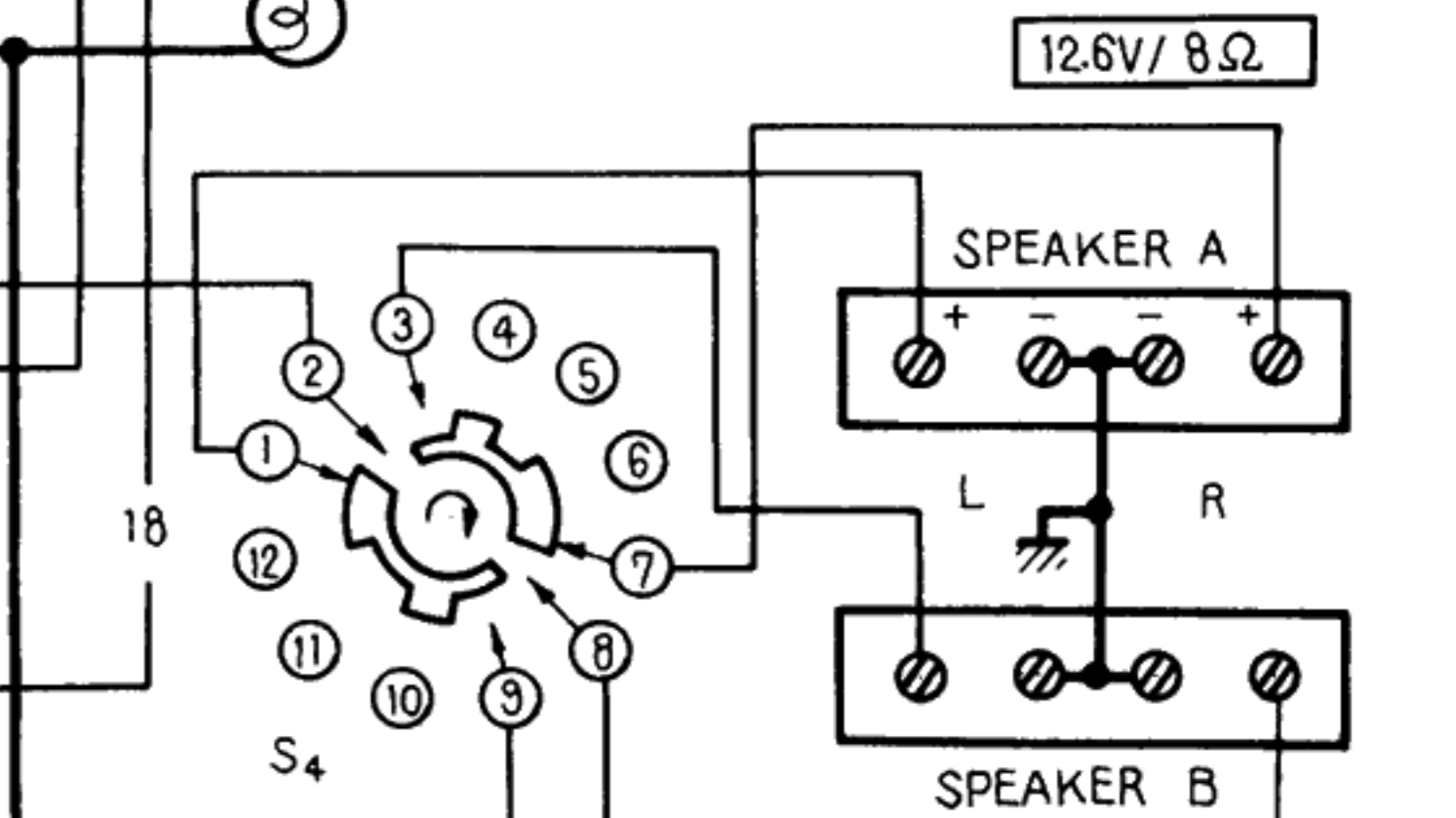
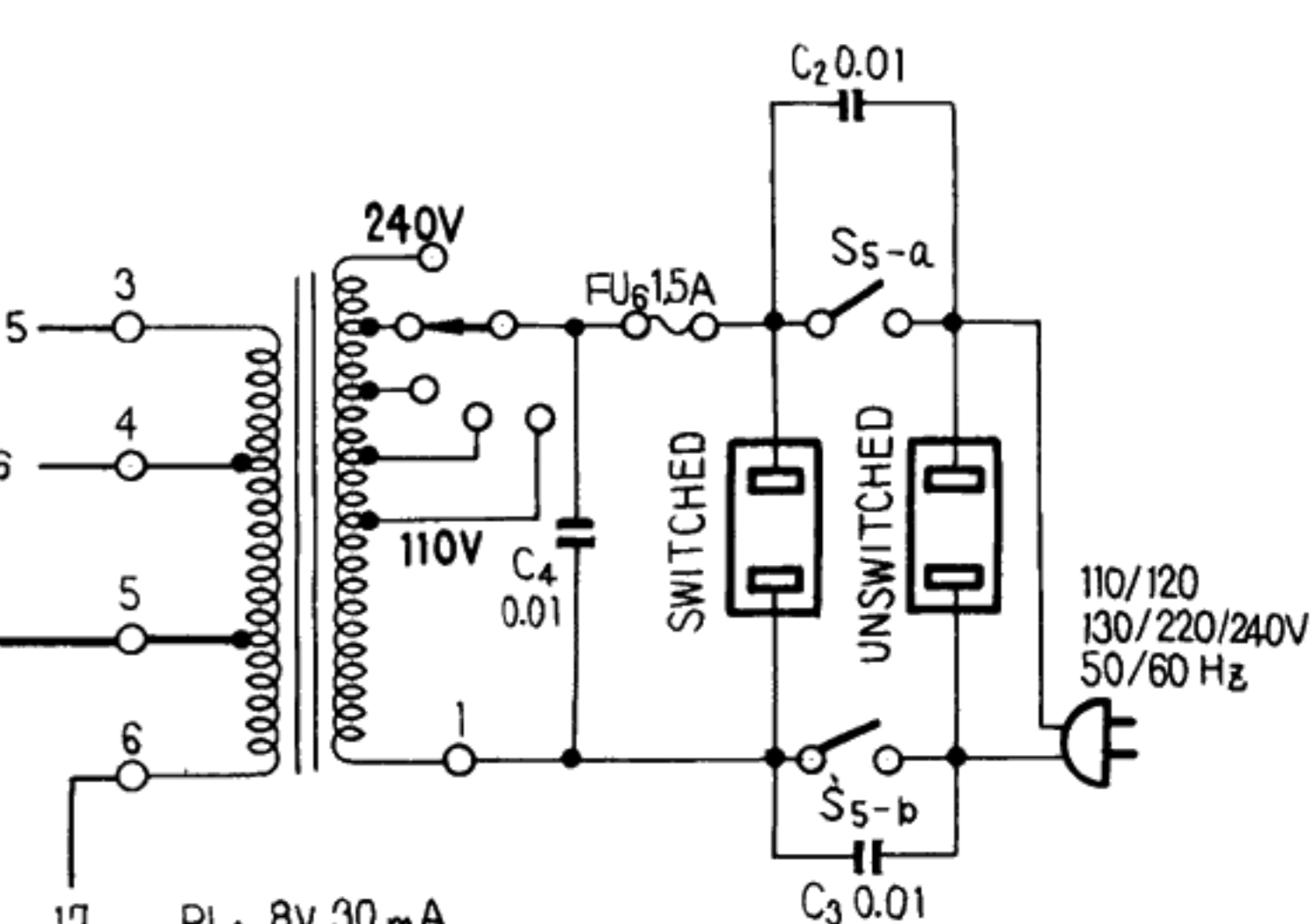
IN μF UNLESS OTHERWISE NOTED. P: pF

NOTES

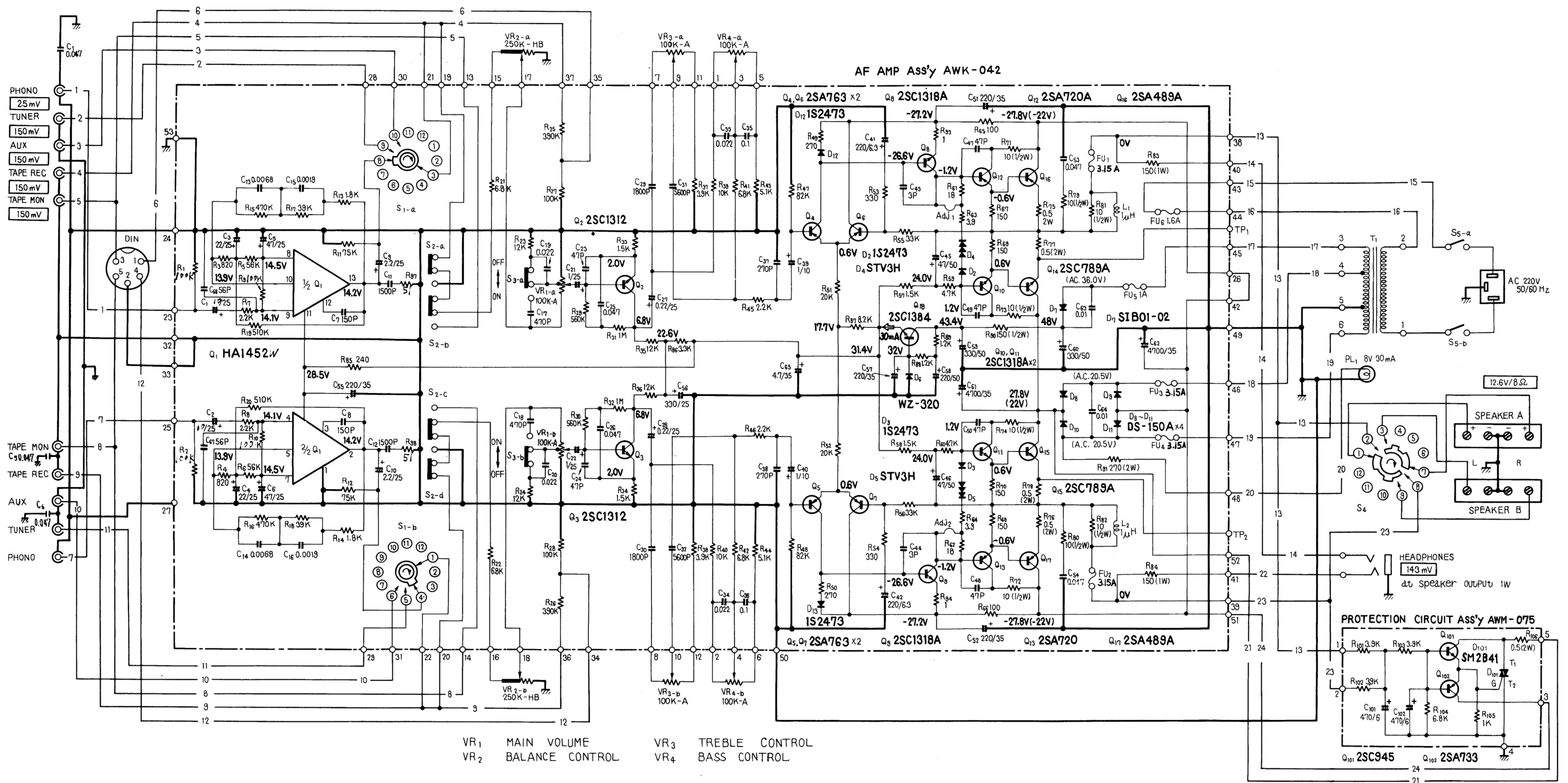
- : SIGNAL VOLTAGE NECESSARY FOR OBTAINING 20W/8Ω OUTPUT POWER (1KHz).
- V : DC VOLTAGE AT NO INPUT SIGNAL.
- (V) : DC VOLTAGE AT 20WATTS x2 OUTPUTS.
- ↔ A : DC CURRENT AT NO INPUT SIGNAL.



FU₆ (240V, 220V, 130V, 120V, 110V) 1.5A
 (110V, 120V, 130V) 3A



220V model



VR₁ MAIN VOLUME
 VR₂ BALANCE CONTROL
 VR₃ TREBLE CONTROL
 VR₄ BASS CONTROL

SWITCHES
 S₁ FUNCTION
 1. PHONO
 2. TUNER
 3. AUX
 S₂ TAPE MONITOR
 OFF → ON
 S₃ LOUDNESS
 OFF → ON
 S₄ SPEAKER SELECTOR
 1. OFF
 2. A
 3. B
 4. A + B
 S₅ POWER SWITCH
 OFF → ON

RESISTORS
 IN OHM, 1/4W, ±5% TOLERANCE UNLESS OTHERWISE NOTED. K : kΩ M : MΩ
CAPACITORS
 IN μF UNLESS OTHERWISE NOTED.
 P : pF

NOTES
 [] : SIGNAL VOLTAGE NECESSARY FOR OBTAINING 20W/8Ω OUTPUT POWER (1kHz).
 V : DC VOLTAGE AT NO INPUT SIGNAL.
 (V) : DC VOLTAGE AT 20 WATTS × 2 OUTPUTS.
 ← A : DC CURRENT AT NO INPUT SIGNAL.

