



In this photo you can see Model SA-5800

Service Manual

STEREO AMPLIFIER

SA-5800

SA-508

 **PIONEER®**

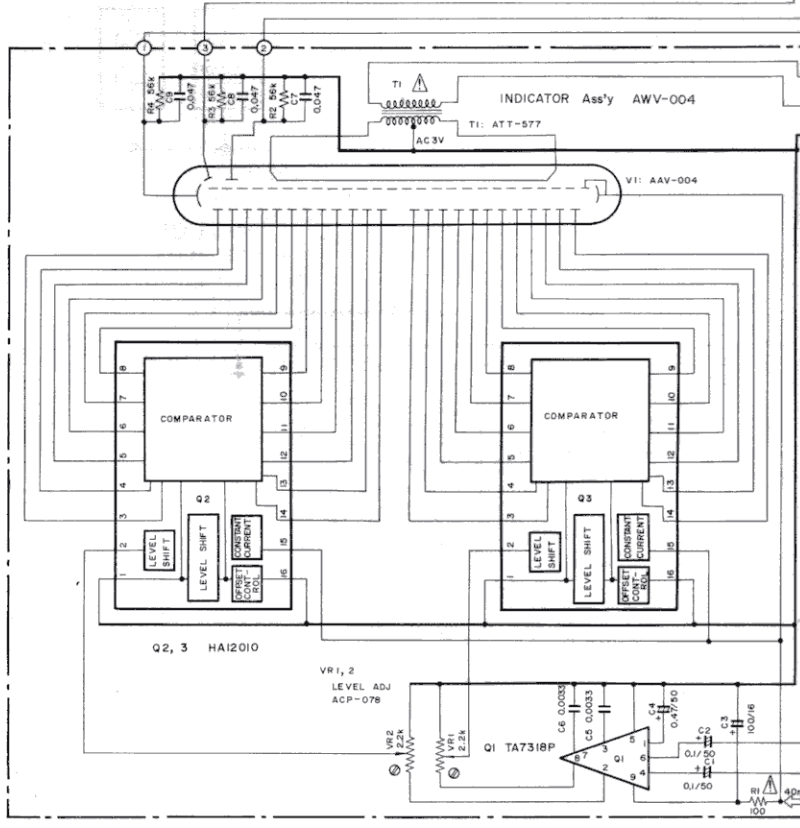
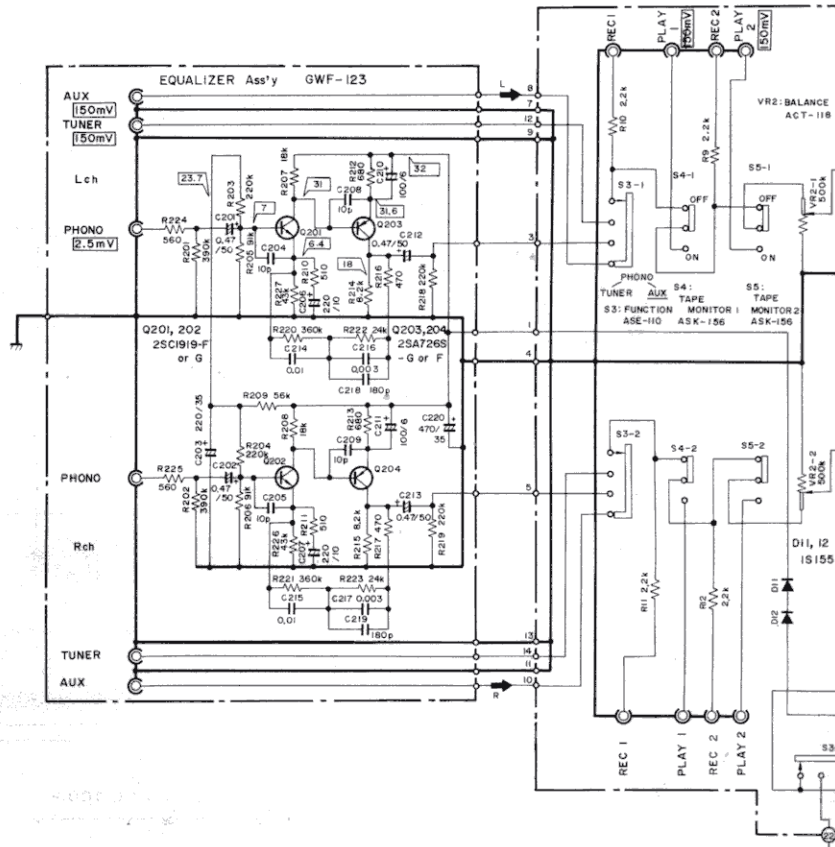
9.2 SCHEMATIC DIAGRAM

A

B

C

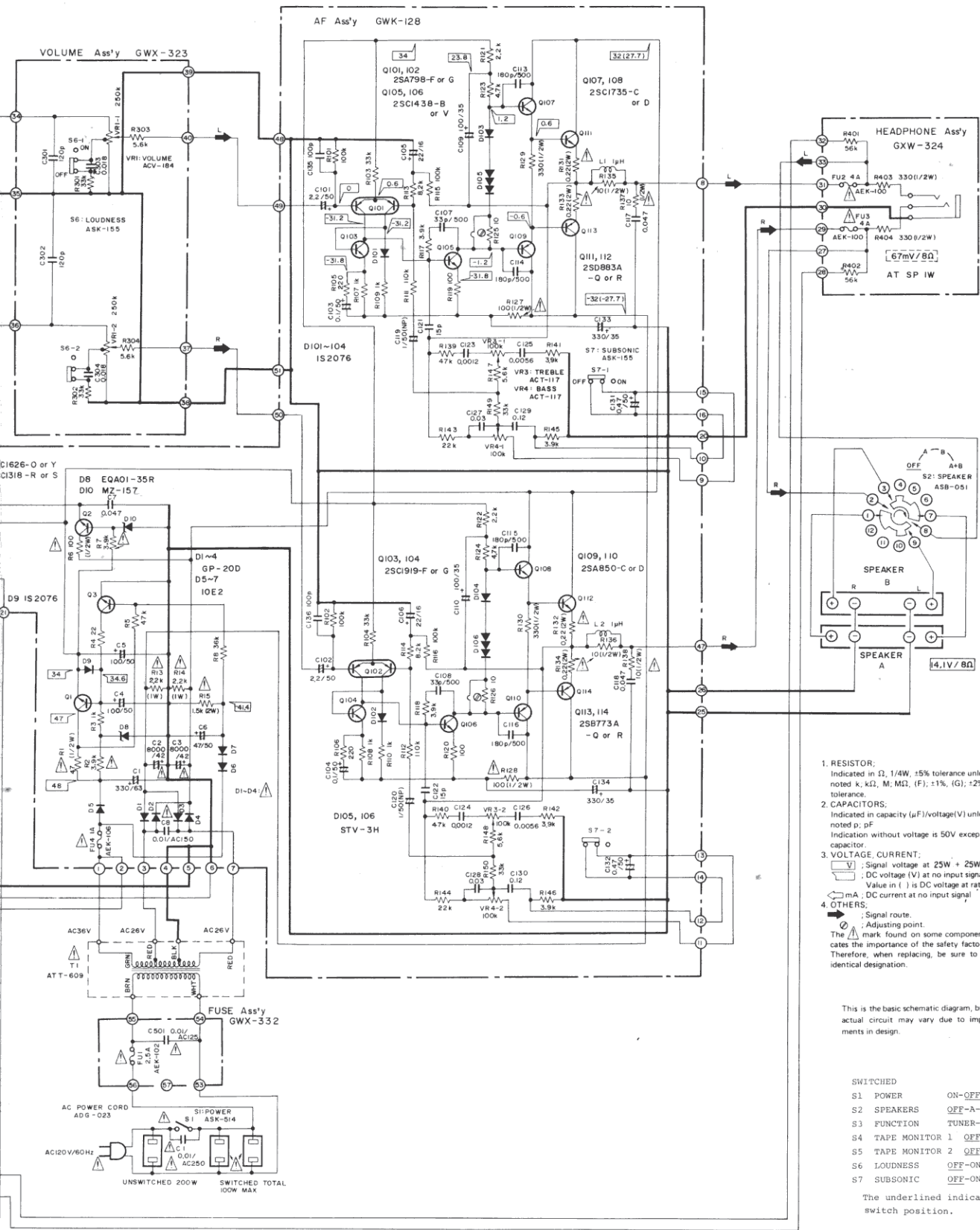
D



1

2

3



1. RESISTOR:
Indicated in Ω, 1/4W, ±5% tolerance unless otherwise noted k, M, MΩ, (F); ±1%, (G); ±2%, (K); ±10% tolerance.
2. CAPACITORS:
Indicated in capacity (μF)/voltage(V) unless otherwise noted p, pF
Indication without voltage is 50V except electrolytic capacitor.
3. VOLTAGE, CURRENT:
V : Signal voltage at 25W + 25W 8Ω output
: DC voltage (V) at no input signal
Value in () is DC voltage at rated power.
mA : DC current at no input signal
4. OTHERS:
→ : Signal route.
↻ : Adjusting point.
The Δ mark found on some component parts indicates the importance of the safety factor of the part. Therefore, when replacing, be sure to use parts of identical designation.

This is the basic schematic diagram, but the actual circuit may vary due to improvements in design.

- SWITCHED
- | | |
|-------------------|-----------------|
| S1 POWER | ON-OFF |
| S2 SPEAKERS | OFF-A-B-A+B |
| S3 FUNCTION | TUNER-PHONO-AUX |
| S4 TAPE MONITOR 1 | OFF-ON |
| S5 TAPE MONITOR 2 | OFF-ON |
| S6 LOUDNESS | OFF-ON |
| S7 SUBSONIC | OFF-ON |
- The underlined indicates the switch position.