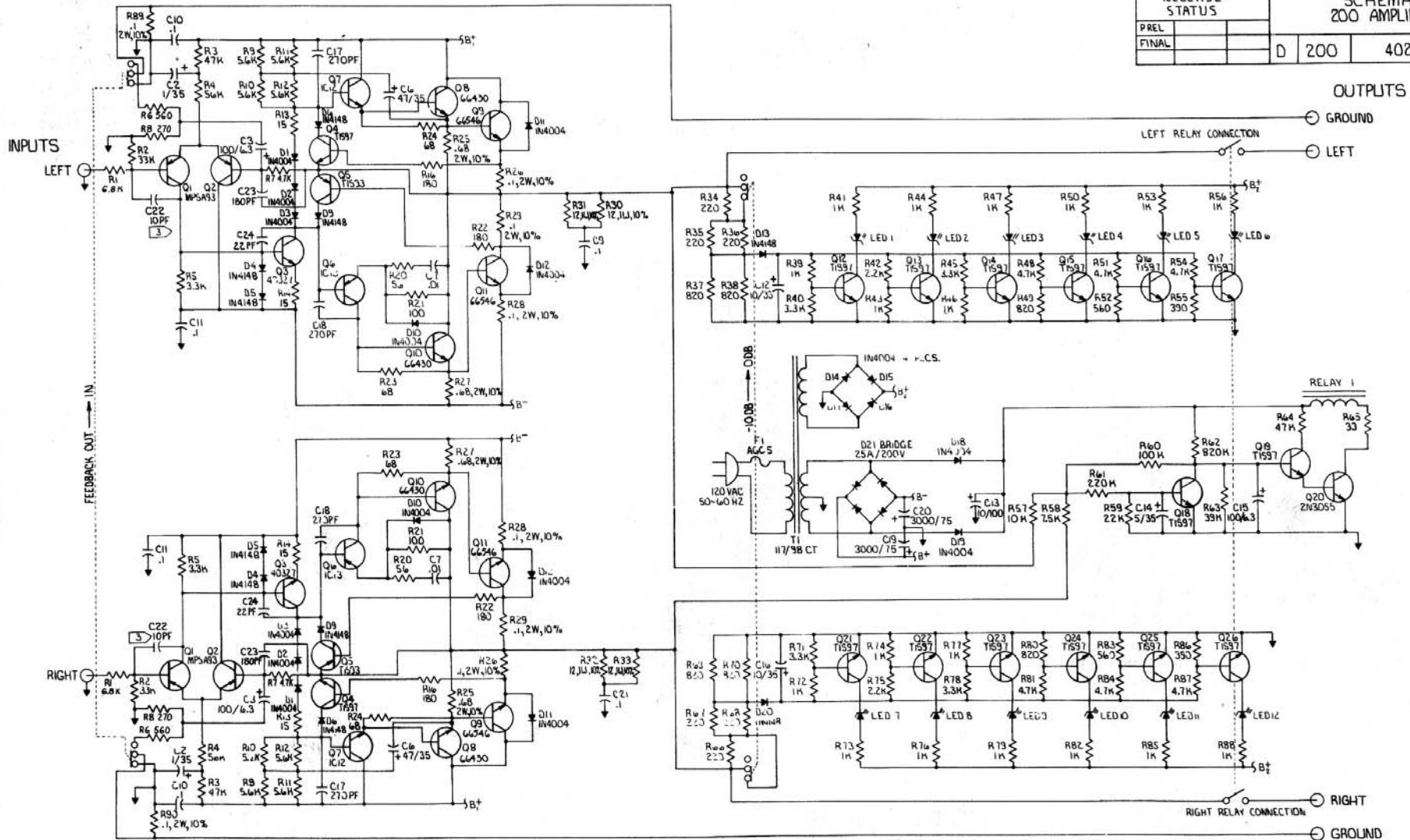


DRAWN	PICKENS	8-18-75	PHASE LINEAR		
CHKD			FINAL ASSY & SCHEMATIC		
APVD			200 AMPLIFIER		
RELEASE STATUS			D	200	402570
PREL					H
FINAL					



NOTE:
 1. CAPACITORS IN μ F UNLESS OTHERWISE NOTED.
 2. RESISTORS IN OHM, $\frac{1}{2}$ W, $\pm 5\%$ TOLERANCE UNLESS OTHERWISE NOTED. R-K, M-M, M-M.
 3. SPECIAL INSTRUCTIONS: AS REQUIRED TO MEET SPEC'S REMOVE 10PF CAP. BEING SURE TO CHECK FOR

INSTABILITY AT 20K AND 2.0 HZ.

DIAGRAM II-1