

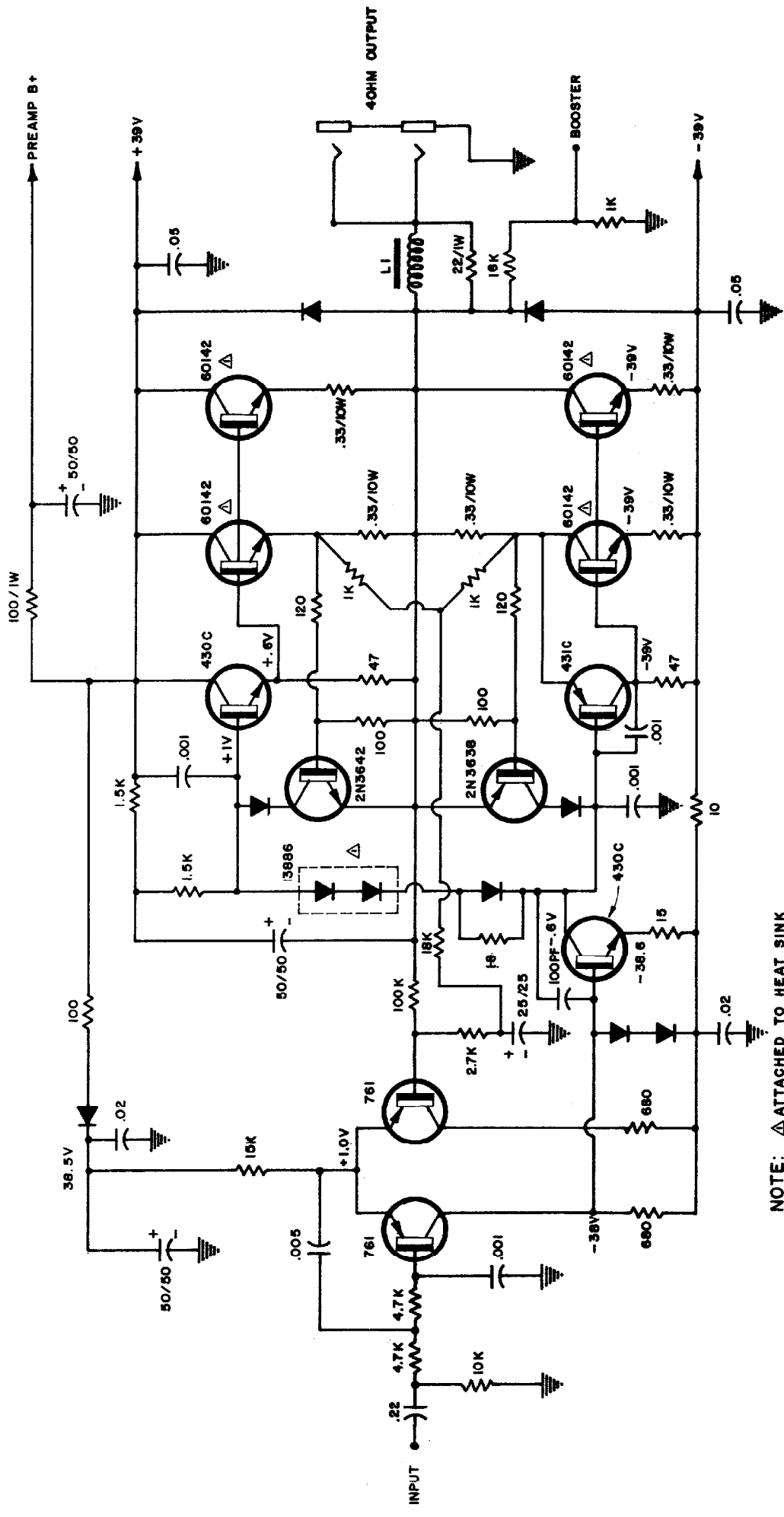
**NOTE**

ALL CAPACITORS IN MFD UNLESS NOTED  
 ALL TRANSISTORS 2N3302 OR MDS 933 UNLESS OTHERWISE NOTED  
 ALL RESISTORS 1/2 WATT, 5 OR 10% UNLESS NOTED

**STANDARD PREAMP**

P/N 81515070

**PEAVEY ELECTRONICS**  
 Meridian - Mississippi  
 Drawn By: H.T.C. Date: 10-1-71  
 Checked By: *ECM*  
 Approved: *HP*



NOTE:  $\Delta$  ATTACHED TO HEAT SINK  
ALL DIODES 1A 200V PIV UNLESS NOTED

### 130 WATT POWER AMP

