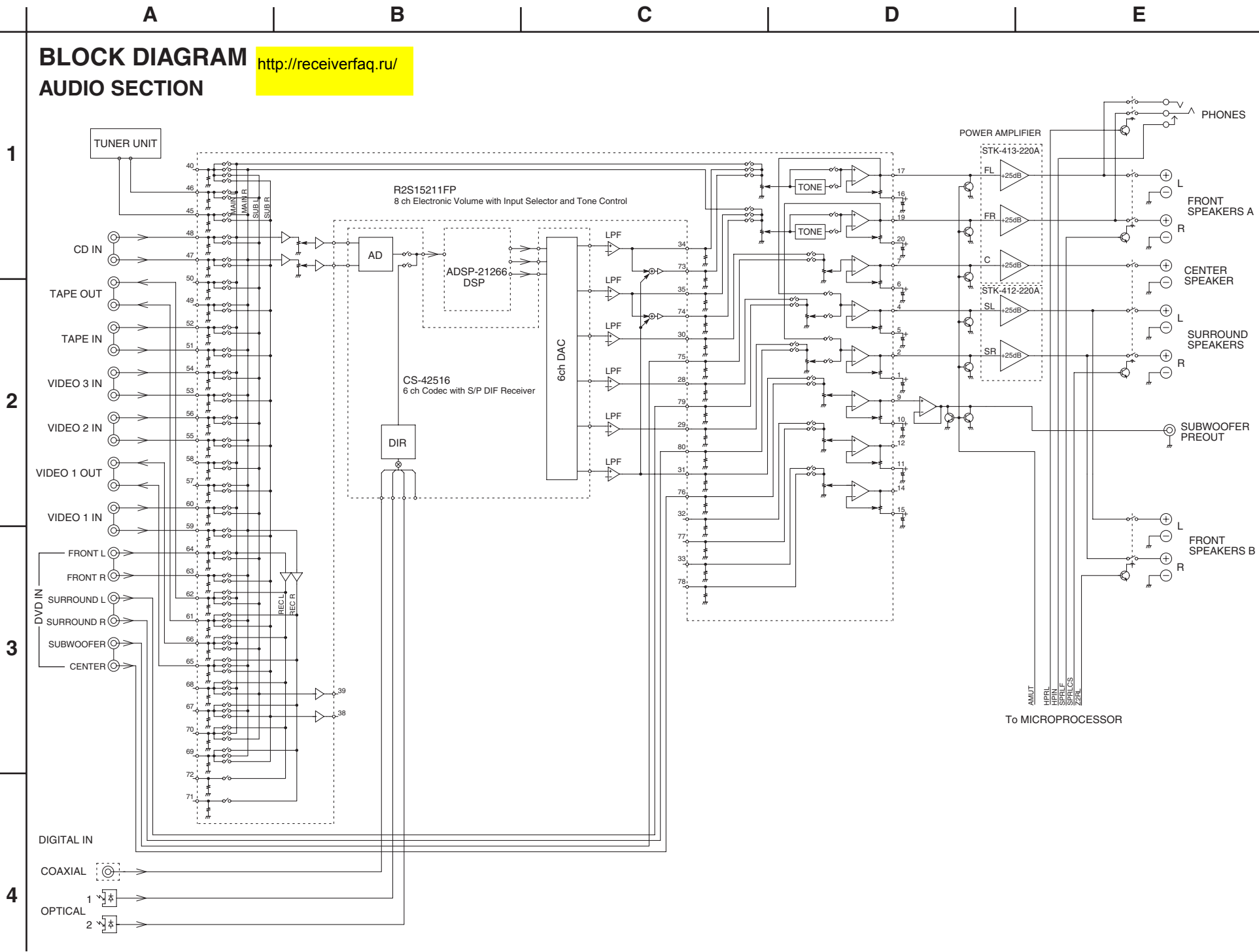


BLOCK DIAGRAM AUDIO SECTION

<http://receiverfaq.ru/>



1

2

3

4

A

B

C

D

SCHEMATIC DIAGRAMS-1

AUDIO INPUT SECTION

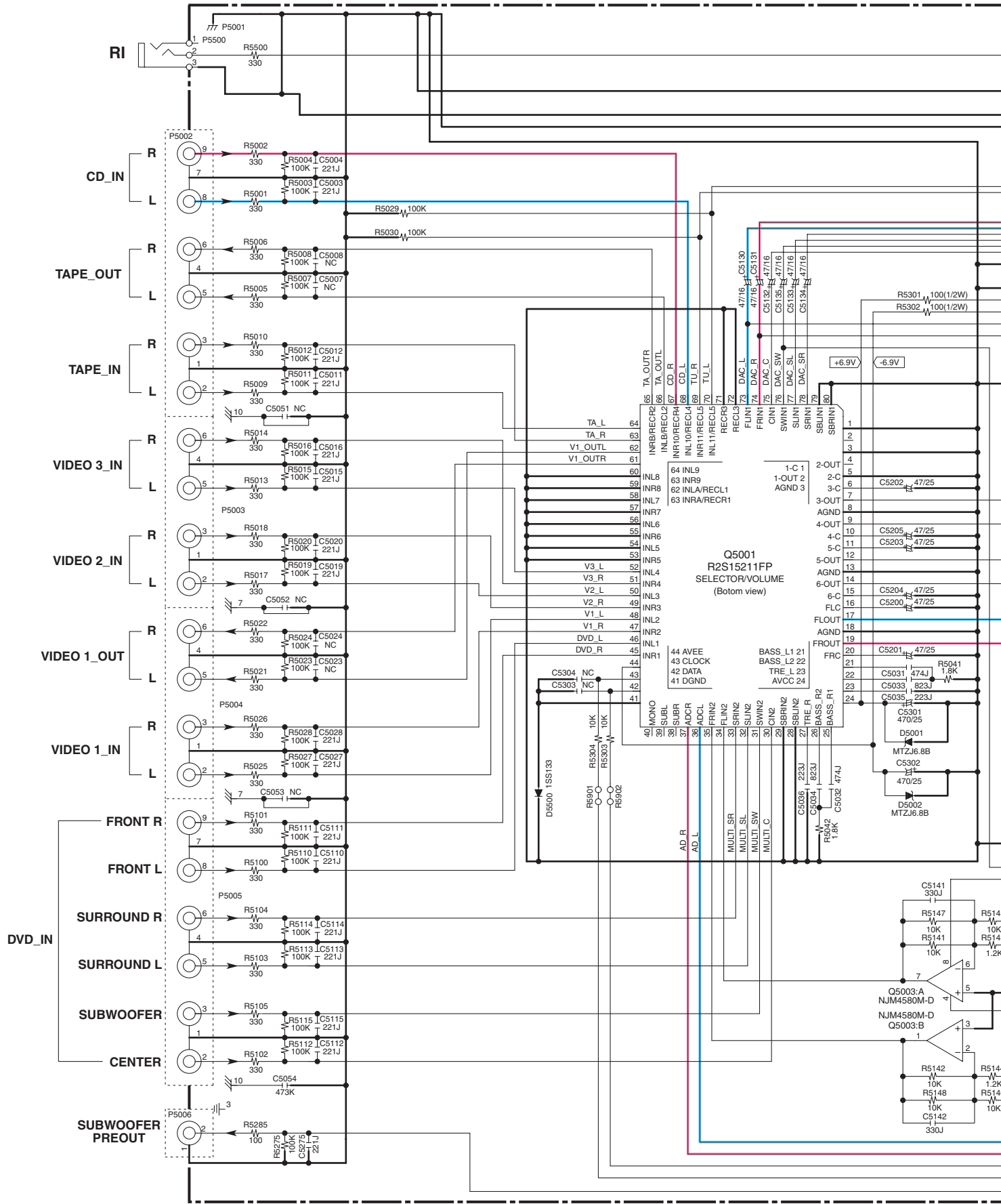
1

2

3

4

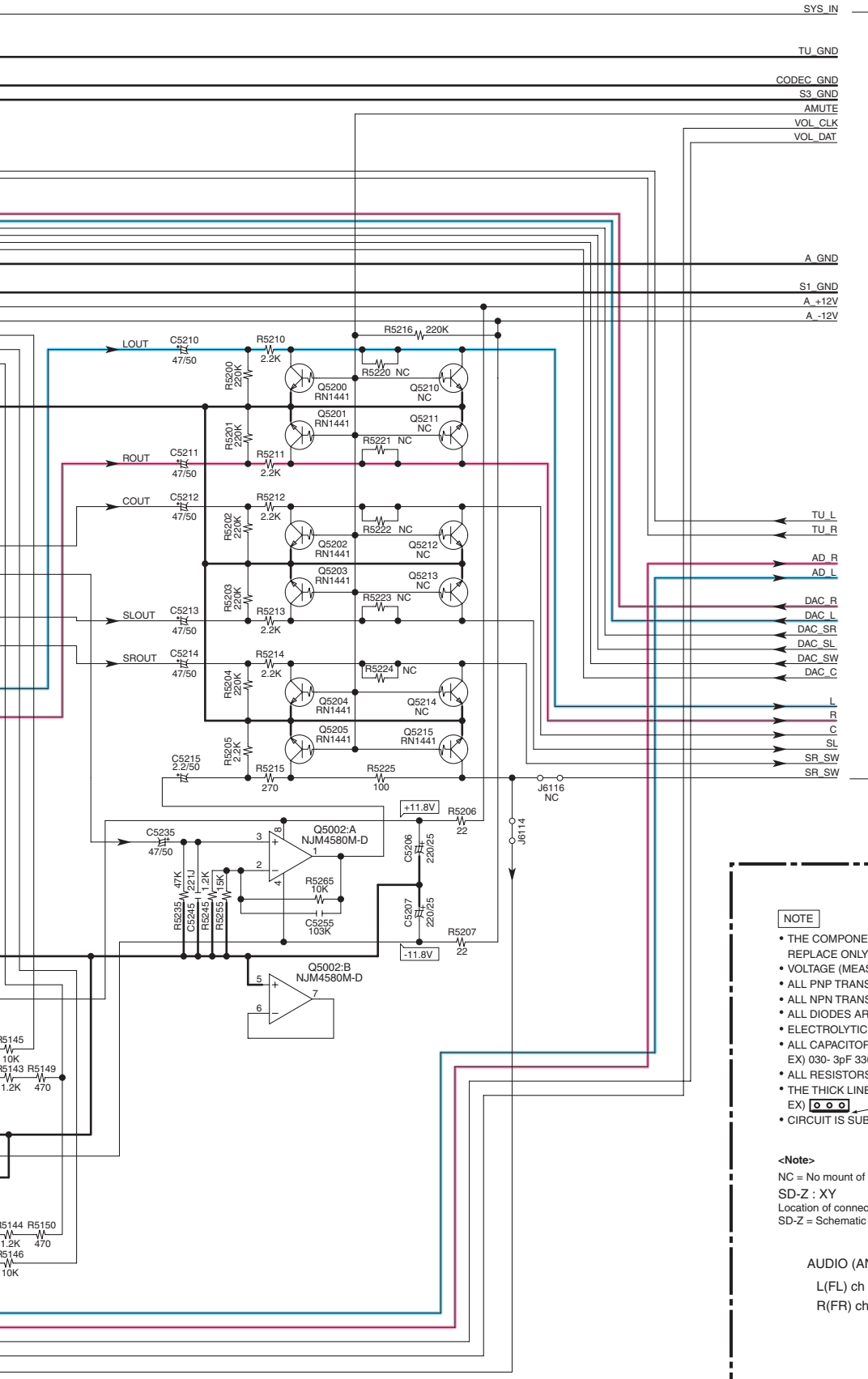
5



NAAF-8745 (1/2)

U01

AMPLIFIER PC BOARD



→ To NAAF-8745 (2/2)
(SD-2 : F5)

NOTE

- THE COMPONENTS IDENTIFIED BY MARK \triangle ARE CRITICAL FOR SAFETY. REPLACE ONLY WITH PART NUMBER SPECIFIED.
- VOLTAGE (MEASURED WITH VOLTMETER) \leftarrow IS DC VOLTAGE. (NO INPUT SIGNAL).
- ALL PNP TRANSISTORS ARE EQUIVALENT TO 2SA1015-GR UNLESS OTHERWISE NOTED.
- ALL NPN TRANSISTORS ARE EQUIVALENT TO 2SC1815-GR UNLESS OTHERWISE NOTED.
- ALL DIODES ARE EQUIVALENT TO 1SS133 UNLESS OTHERWISE NOTED.
- ELECTROLYTIC CAPACITORS (---) ARE IN $\mu\text{F/WV}$.
- ALL CAPACITORS ARE IN pF/50WV UNLESS OTHERWISE NOTED.
EX) 030-3pF 330-33pF 331-330pF 333-0.033 μF
- ALL RESISTORS ARE IN OHMS 1/4WATTS UNLESS OTHERWISE NOTED.
- THE THICK LINES ON PC BOARD ARE THE PRINTING SIDE OF THE PARTS.
EX) --- PRINTING SIDE
- CIRCUIT IS SUBJECT TO CHANGE FOR IMPROVEMENT.

<Note>

NC = No mount of parts.
SD-Z : XY
Location of connected terminal in schematic diagrams.
SD-Z = Schematic diagrams-Z. X = A to H, Y = 1 to 5.

AUDIO (ANALOG)

L(FL) ch —
R(FR) ch —

A | **B** | **C** | **D**

SCHEMATIC DIAGRAMS-2

POWER AMPLIFIER SECTION

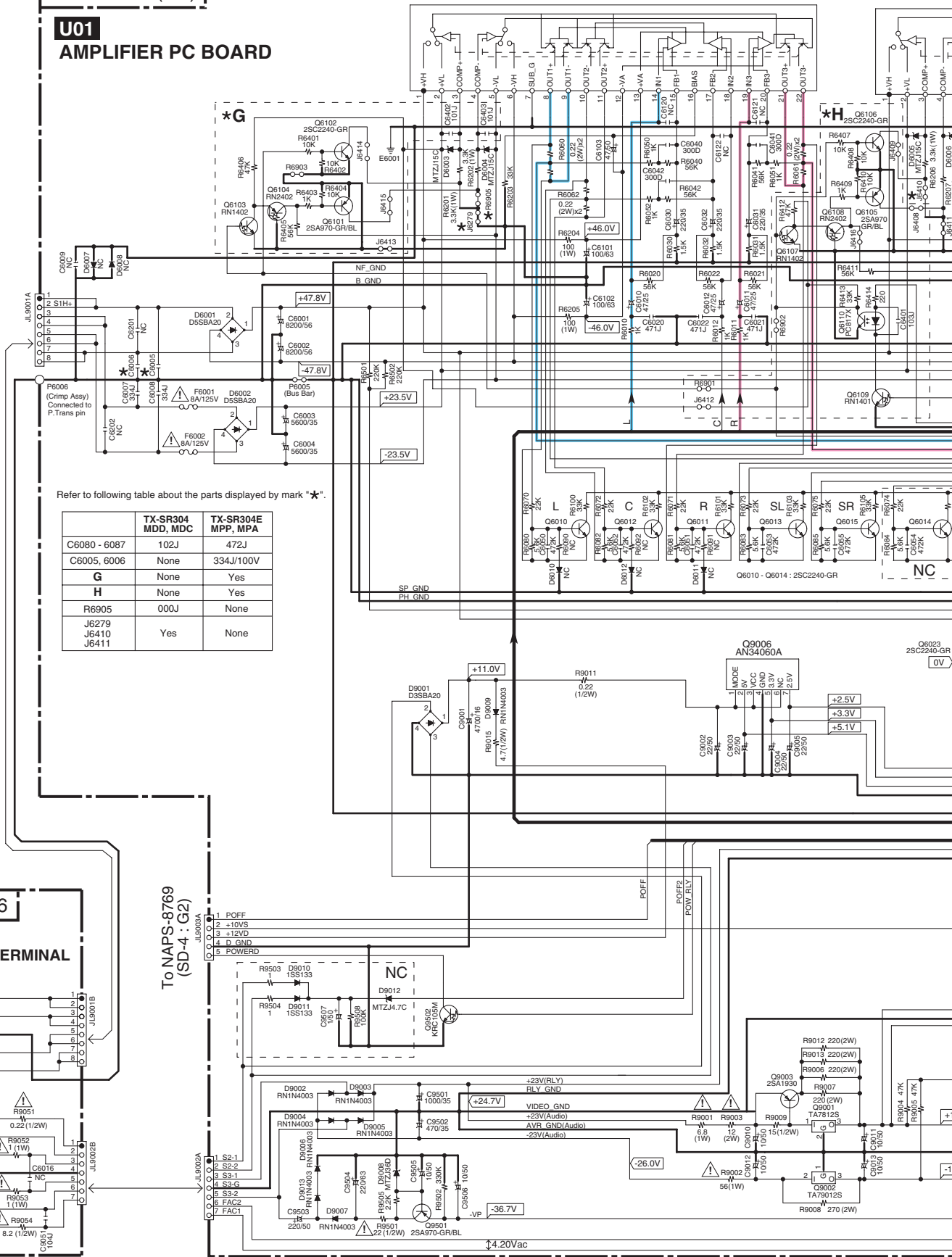
<Note>
 NC = No mount of parts.
 SD-Z : XY
 Location of connected terminal in schematic diagrams.
 SD-Z = Schematic diagrams-Z. X = A to H, Y = 1 to 5.

AUDIO (ANALOG)
 L (FL) ch —
 R (FR) ch —

NAAF-8745 (2/2)

U01
AMPLIFIER PC BOARD

Q6001 STK413-220A POWER AMP.



Refer to following table about the parts displayed by mark "★":

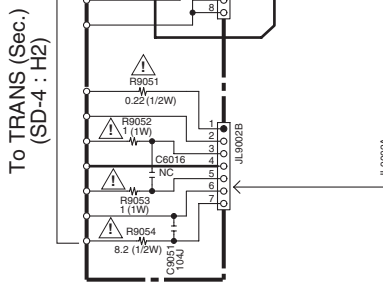
	TX-SR304 MDD, MDC	TX-SR304E MPP, MPA
C6080 - 6087	102J	472J
C6005, 6006	None	334J/100V
G	None	Yes
H	None	Yes
R6905	000J	None
J6279	Yes	None
J6410		
J6411		

NAETC-8746

U02
**TRANS SEC. TERMINAL
 PC BOARD**

To TRANS (Sec.)
 (SD-4 : H2)

To NAPS-8769
 (SD-4 : G2)



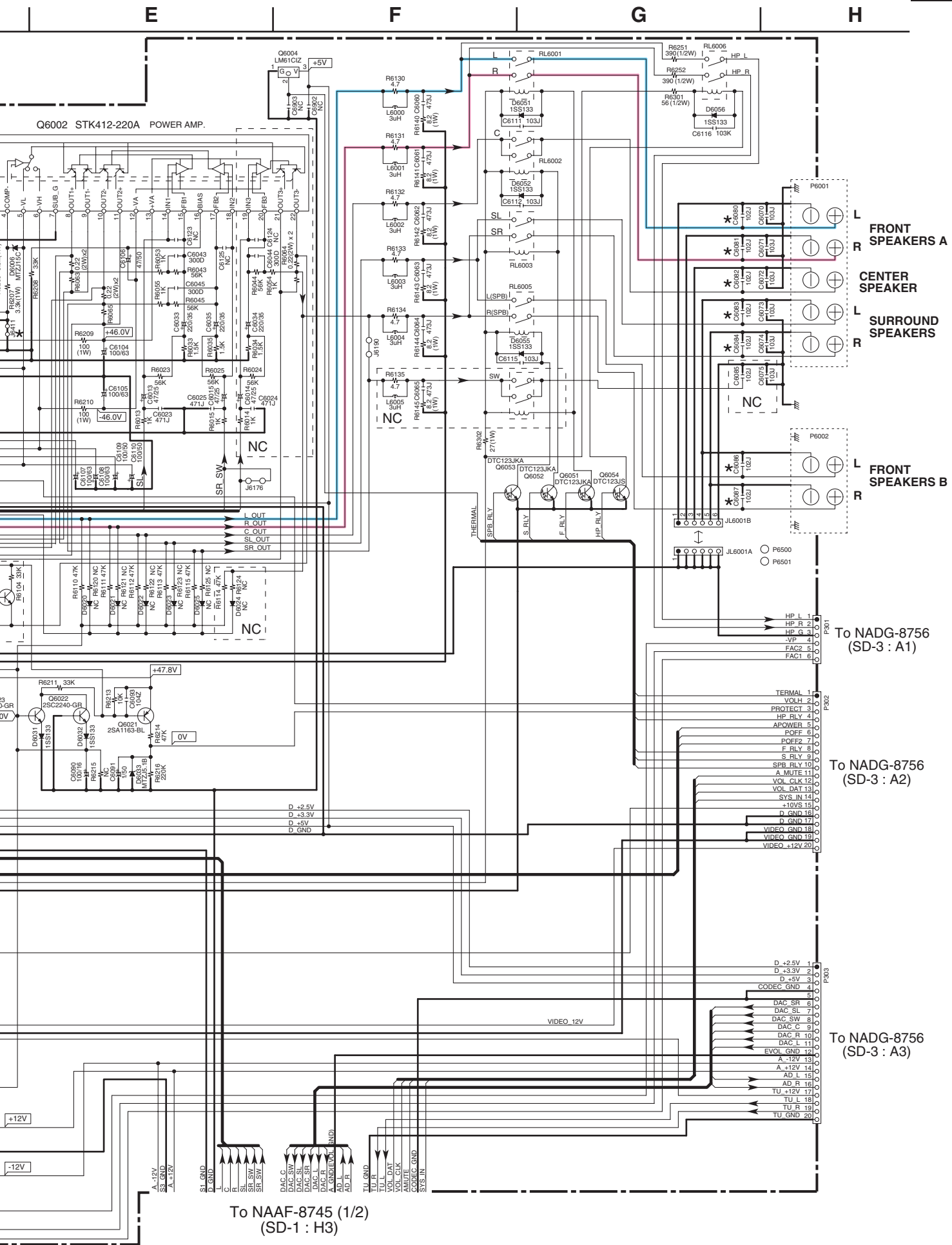
1

2

3

4

5



To NAAF-8745 (1/2)
(SD-1 : H3)

To NADG-8756
(SD-3 : A1)

To NADG-8756
(SD-3 : A2)

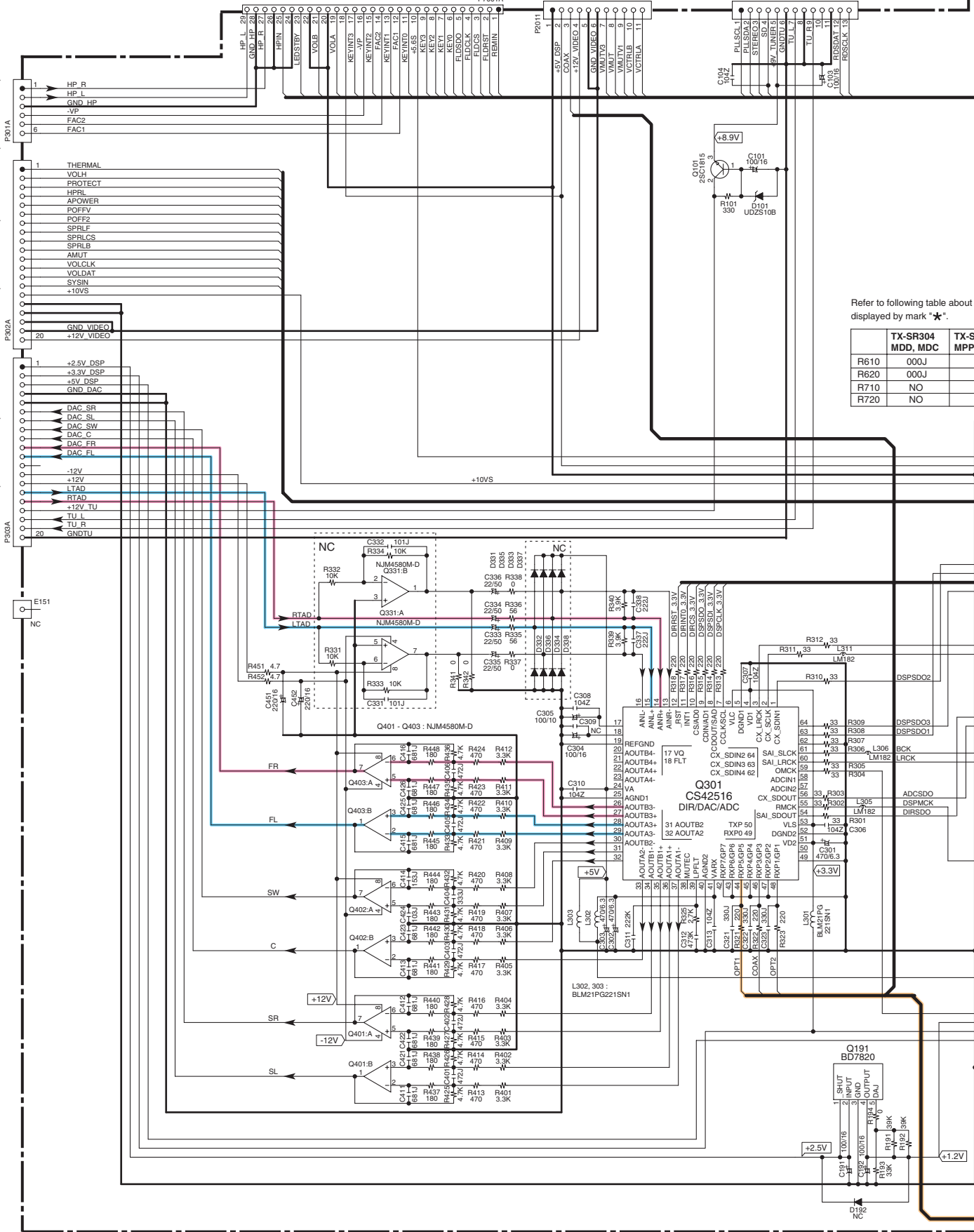
To NADG-8756
(SD-3 : A3)

SCHEMATIC DIAGRAMS-3
DSP & MICROPROCESSOR SECTION

1
2
3
4
5

To NAAF-8745 (SD-2 : H3)
 To NAAF-8745 (SD-2 : H4)
 To NAAF-8745 (SD-2 : H5)

To NADIS-8767 (SD-4 : E1)
 To NAVD-8768 (SD-4 : E5)
 To TUNER UNIT



Refer to following table the displayed by mark *★.

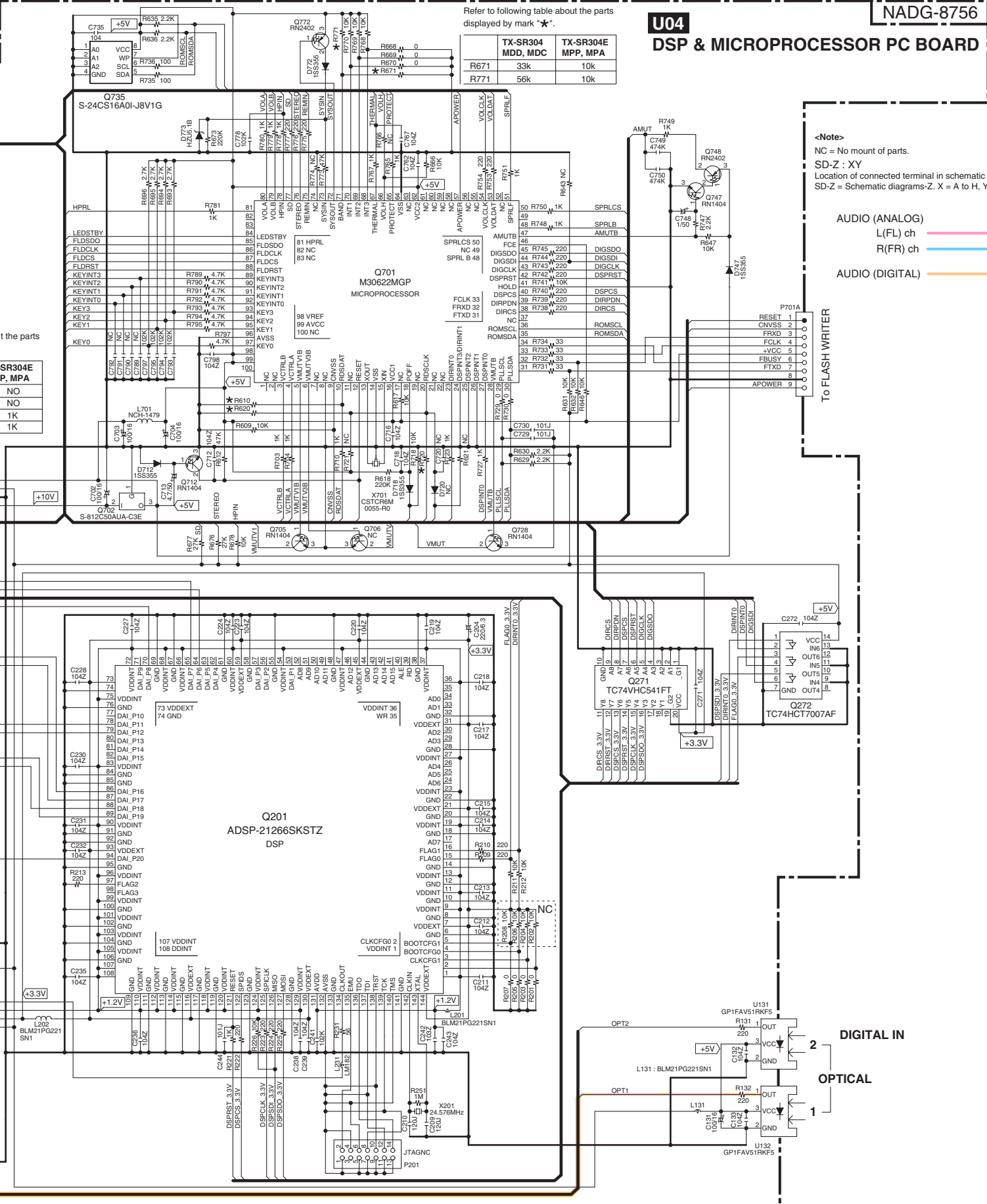
	TX-SR304 MDD, MDC	TX-SR304E MPP, MFP
R610	000J	NO
R620	000J	NO
R710	NO	1K
R720	NO	1K

NADG-8756

U04 DSP & MICROPROCESSOR PC BOARD

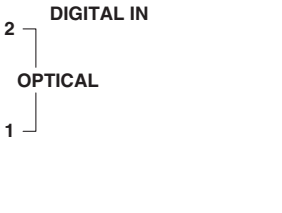
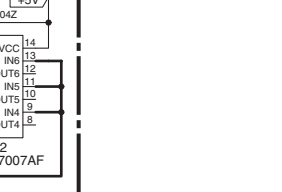
Refer to following table about the parts displayed by mark '*':

	TX-SR304 MDD, MDC	TX-SR304E MPP, MPA
R671	33k	10k
R771	56k	10k



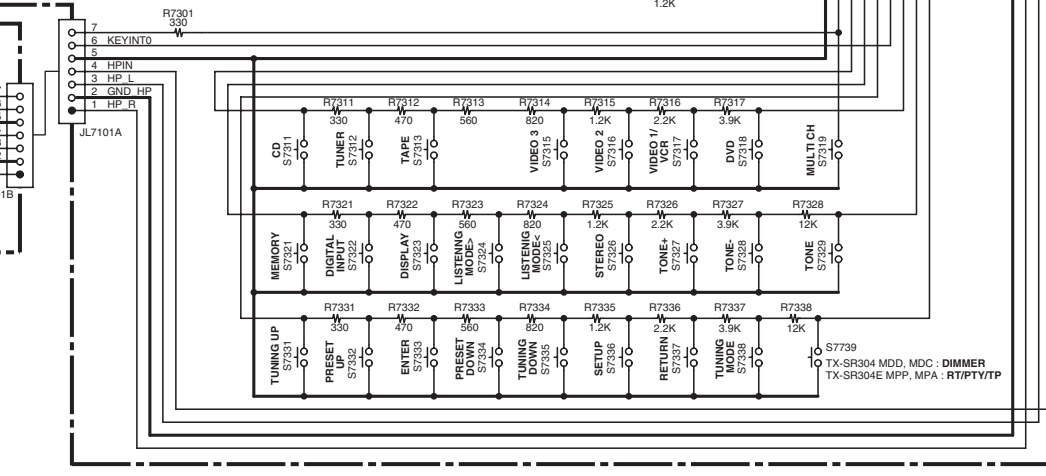
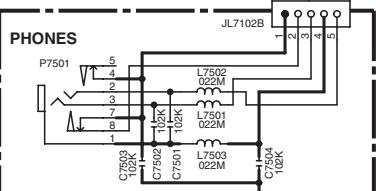
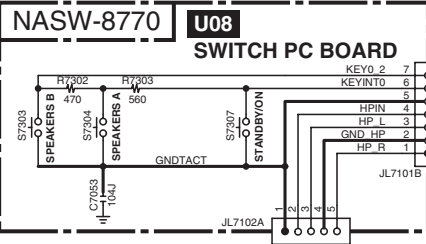
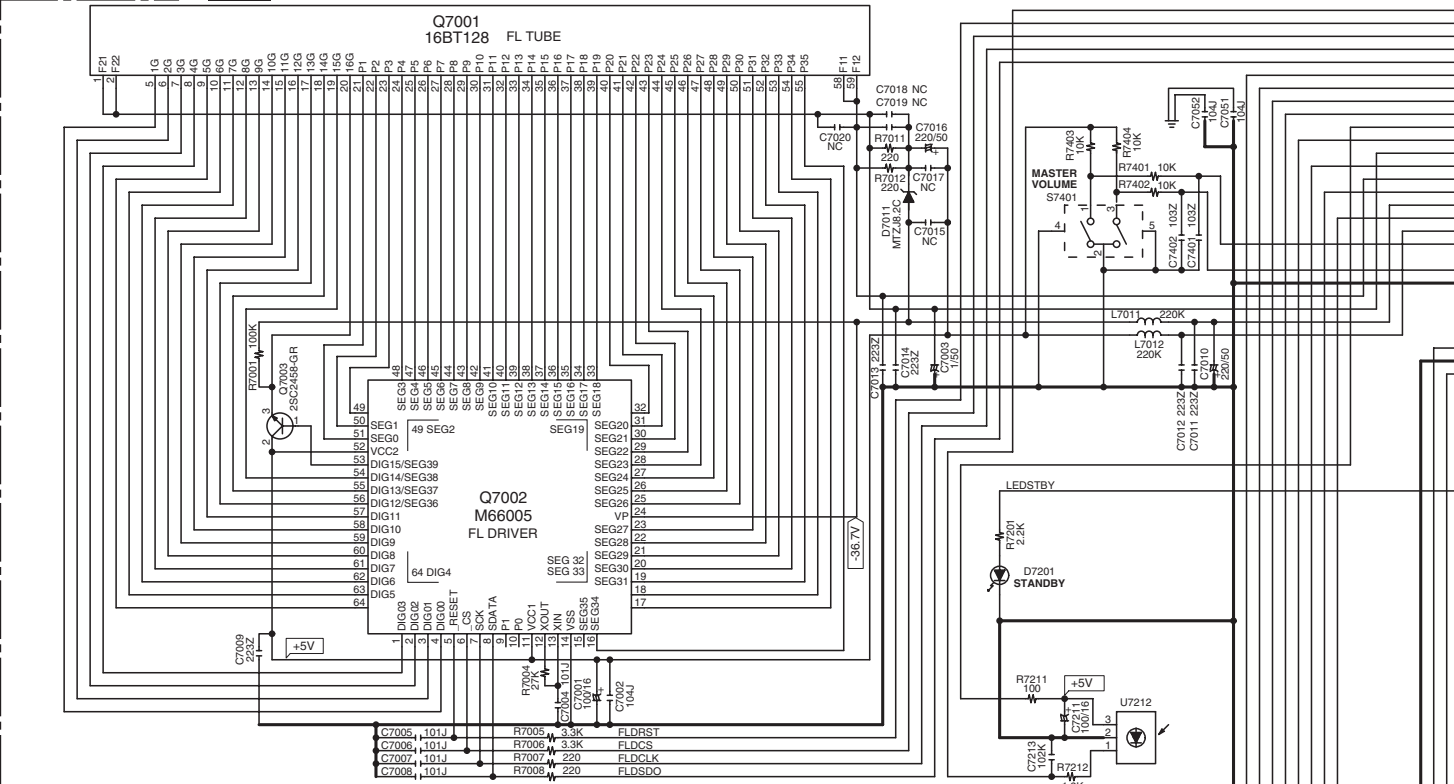
<Note>
 NC = No mount of parts.
 SD-Z: XY
 Location of connected terminal in schematic diagrams.
 SD-Z = Schematic diagrams-Z. X = A to H, Y = 1 to 5.

AUDIO (ANALOG)
 L(FL) ch —
 R(FR) ch —
 AUDIO (DIGITAL) —



SCHEMATIC DIAGRAMS-4
DISPLAY SECTION / POWER SUPPLY SECTION / VIDEO SECTION

NADIS-8767 U05 DISPLAY PC BOARD



- NOTE**
- THE COMPONENTS IDENTIFIED BY MARK ARE CRITICAL FOR SAFETY. REPLACE ONLY WITH PART NUMBER SPECIFIED.
 - VOLTAGE (MEASURED WITH VOLTMETER) IS DC VOLTAGE. (NO INPUT SIGNAL).
 - ALL PNP TRANSISTORS ARE EQUIVALENT TO 2SA1015-GR UNLESS OTHERWISE NOTED.
 - ALL NPN TRANSISTORS ARE EQUIVALENT TO 2SC1815-GR UNLESS OTHERWISE NOTED.
 - ALL DIODES ARE EQUIVALENT TO 1SS133 UNLESS OTHERWISE NOTED.
 - ELECTROLYTIC CAPACITORS () ARE IN uF/WV.
 - ALL CAPACITORS ARE IN pF/50WV UNLESS OTHERWISE NOTED.
 EX) 030-3pF 330-33pF 331-330pF 333-0.033uF
 - ALL RESISTORS ARE IN OHMS 1/4WATTS UNLESS OTHERWISE NOTED.
 EX) PRINTING SIDE
 - THE THICK LINES ON PC BOARD ARE THE PRINTING SIDE OF THE PARTS.
 - PRINTING SIDE
 - CIRCUIT IS SUBJECT TO CHANGE FOR IMPROVEMENT.

<Note>
 NC = No mount of parts.
 SD-Z : XY
 Location of connected terminal in schematic diagrams.
 SD-Z = Schematic diagrams-Z. X = A to H, Y = 1 to 5.

CAUTION
 FOR CONTINUED PROTECTION AGAINST FIRE HAZARD, REPLACE ONLY WITH FUSE OF SAME TYPE AND RATING INDICATED.

ATTENTION
 AFIN D'ASSURER UNE PROTECTION PERMANENTE CONTRE LES RISQUES D'INCENDIE, REMPLACER UNIQUEMENT PAR UN FUSIBLE DE MEME TYPE ET CALIBRATION COMME INDIQUE.

THIS SYMBOL LOCATED NEAR THE FUSE INDICATES THAT THE FUSE USED IS SLOW OPERATING TYPE FOR CONTINUED PROTECTION AGAINST FIRE HAZARD, REPLACE WITH SAME TYPE FUSE. FOR FUSE RATING REFER TO THE MARKING ADJACENT TO THE SYMBOL.

CE SYMBOLE INDIQUE QUE LE FUSIBLE UTILISE EST E LENT. POUR UNE PROTECTION PERMANENTE, N'UTILISER QUE DES FUSIBLES DE MEME TYPE. CE DERNIER EST INDIQUE LA QU LE PRESENT SYMBOLE EST APPOSE.

VIDEO

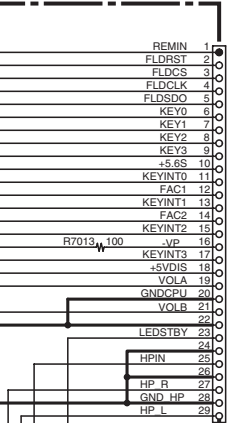
To NA (SD)

E

F

G

H

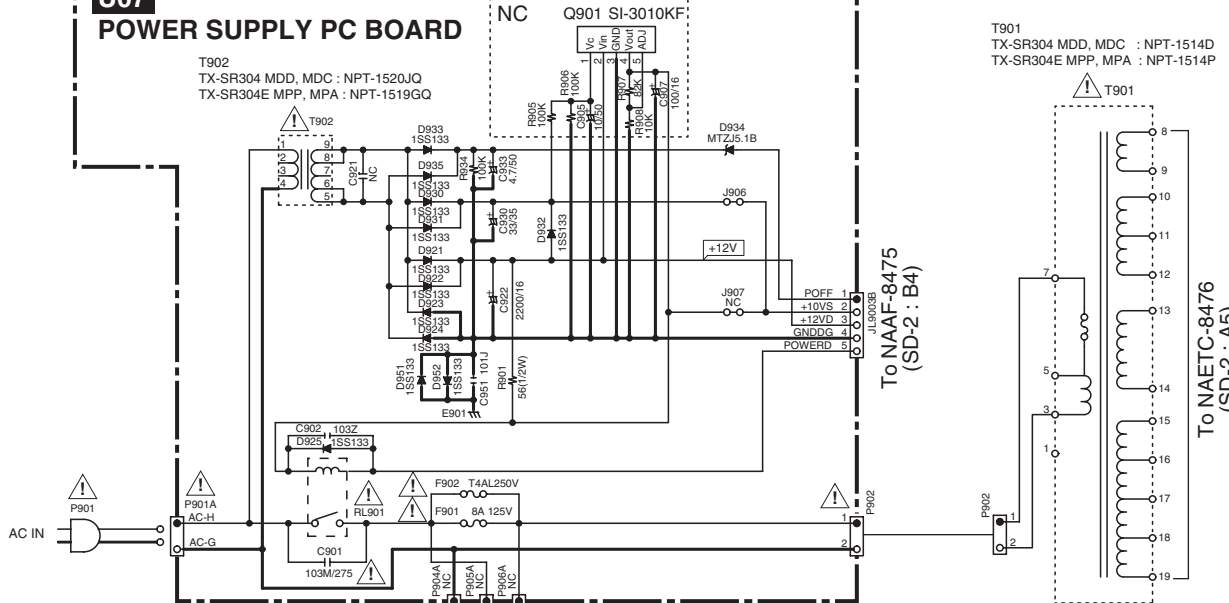


To NADG-8756 (SD-3: B1)

NAPS-8769

U07
POWER SUPPLY PC BOARD

T902
TX-SR304 MDD, MDC : NPT-1520JQ
TX-SR304E MPP, MPA : NPT-1519GG



AC IN
TX-SR304 MDD, MDC : 120V, 60z
TX-SR304E MPP, MPA : 230 - 240V, 50Hz

To NAAF-8475 (SD-2: B4)

To NAETC-8476 (SD-2: A5)

NAVD-8768

U06
VIDEO PC BOARD

NADG-8756 (SD-3: C1)

