

NAD

**SERVICE
MANUAL**

3240PE
INTEGRATED AMPLIFIER

CONTENTS
-3240PE-

REAR / FRONT PANEL CONNECTIONS	PAGE 3
SPECIFICATIONS	PAGE 4
ALIGNMENT METHOD	PAGE 5
AMPLIFIER PCB LAYOUT AND WIRING DIAGRAM	PAGE 6 - 8
SCHEMATIC DIAGRAM	PAGE 9 - 10
PCB COMPONENT LOCATION	PAGE 11 - 13
EXPLODED VIEW	PAGE 14
PARTS LIST, EXPLODED VIEW	PAGE 15 - 17
PACKING DIAGRAM	PAGE 17 - 18

- REAR PANEL**
1. AC Line Cord
 2. AC Convenience Outlets
 3. Speakers A
 4. Speakers B
 5. Phono Ground
 6. Phono Input
 7. Tuner Input

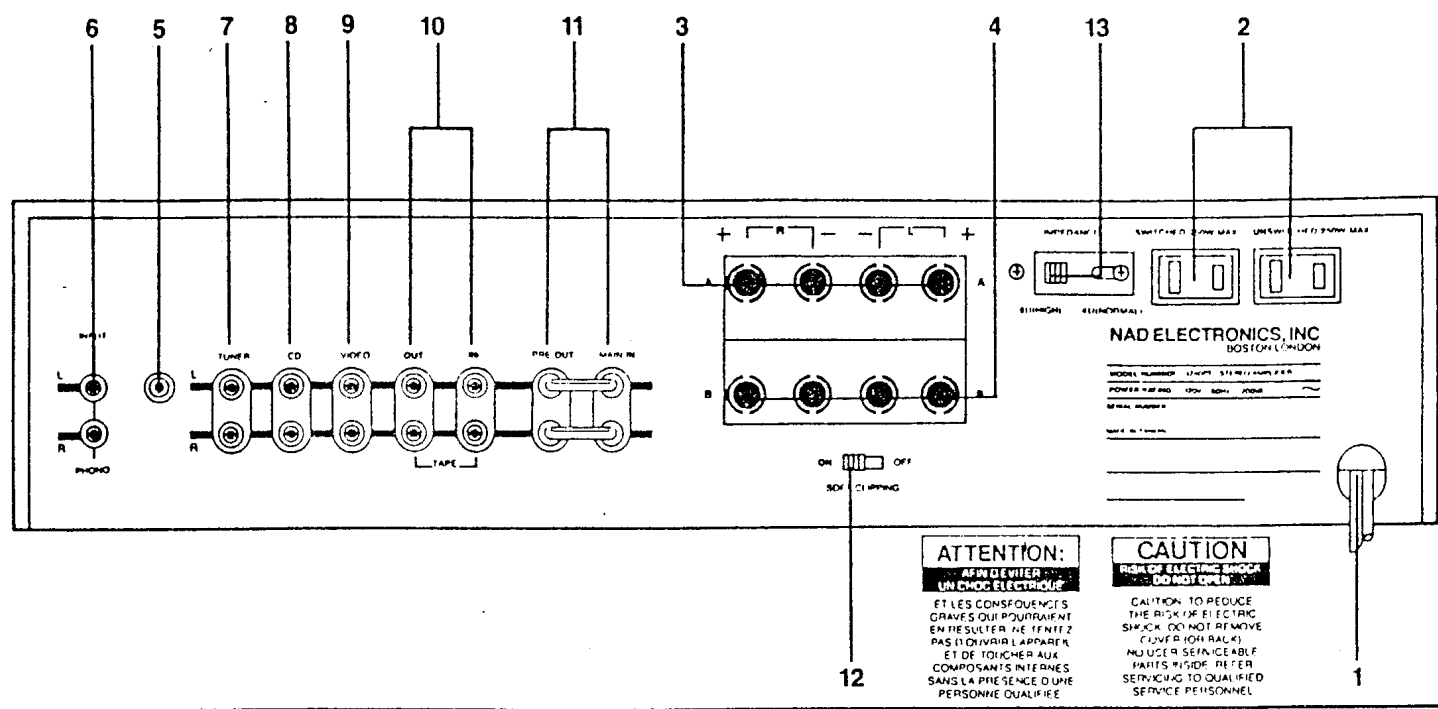
- LE PANNEAU ARRIERE**
8. CD Input
 9. Video Input
 10. Tape Input/Output
 11. Preamp Out. Main In
 12. Soft Clipping
 13. Speaker Impedance

- LE PANNEAU ARRIERE**
1. Cordon d'alimentation
 2. Prises CA
 3. Enceintes A
 4. Enceintes B
 5. Masse phonorecteur
 6. Entrée phono
 7. Entrée tuner

- LE PANNEAU ARRIERE**
8. Entrée lecteur de disque compact
 9. Entrée vidéo
 10. Entrée-Sortie magnétophone
 11. Sortie de préamplification
 12. Ecrêtage en douceur
 13. Impédance

- RUCKSEITE**
1. Netzkabel
 2. Sekundär-Steckdosen
 3. Anschlüsse für Lautsprechergruppe A
 4. Anschlüsse für Lautsprechergruppe B
 5. Masseanschluss für Plattenspieler
 6. Plattenspieler-Eingang
 7. Tuner-Eingang

- RUCKSEITE**
8. CD Eingang
 9. Video
 10. Tonanlage al Eingang Ausgang
 11. Unverstärker Ausgang Endverstärker Eingang
 12. Impedanzleistungs Schalter
 13. Lautsprecherimpedanz Schalter



- FRONT PANEL**
1. Power
 2. Phones
 3. Speaker Selector
 4. Bass
 5. Treble
 6. Bass EQ
 7. Infrasonic Filter Off

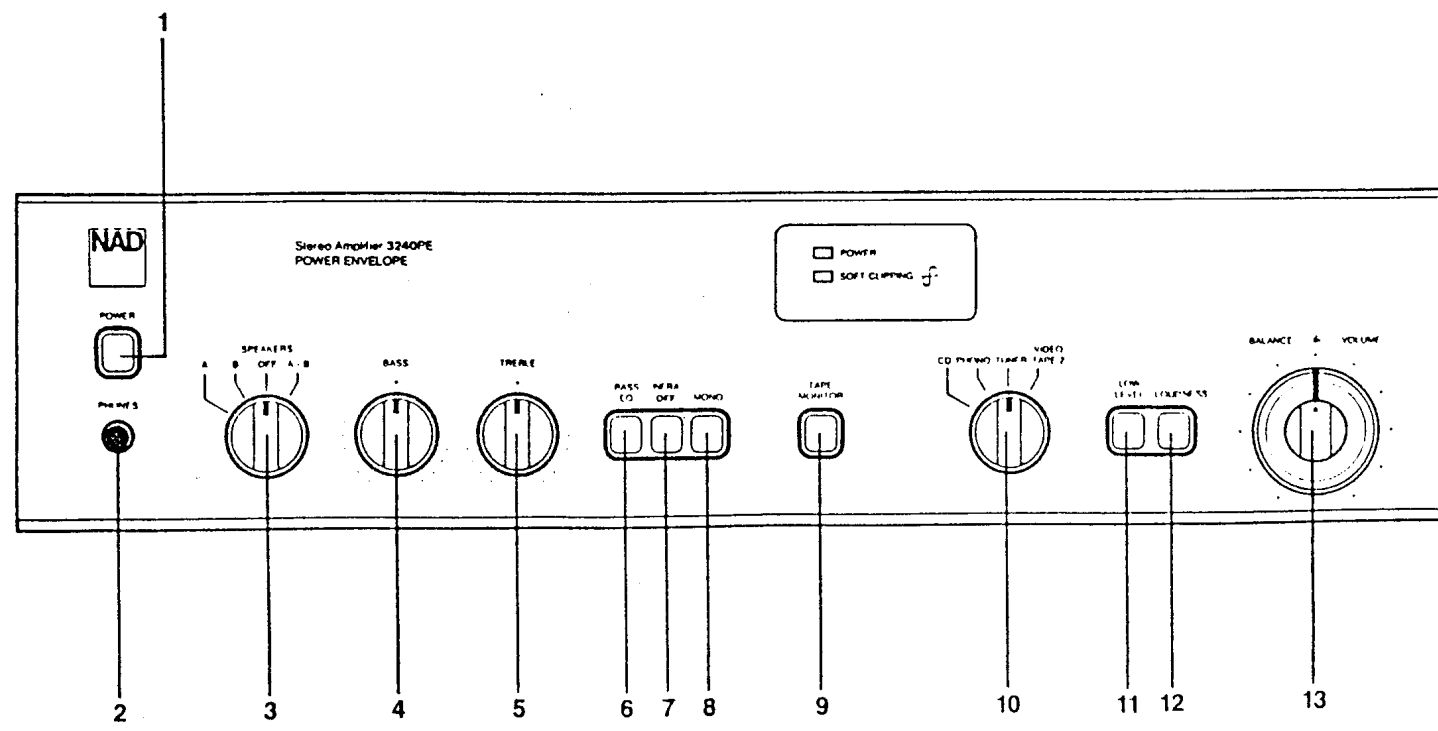
- LE PANNEAU AVANT**
8. Mono
 9. Tape Monitor
 10. Input Selector
 11. Low Level
 12. Loudness
 13. Volume/Balance

- LE PANNEAU AVANT**
1. Alimentation
 2. Casque d'écoute
 3. Sélecteur d'enceintes
 4. Graves.
 5. Aigus.
 6. Bass Eq
 7. Filtre infrasonique.

- LE PANNEAU AVANT**
8. Mono
 9. Commutateur de surveillance de bande
 10. Sélecteur d'entrée
 11. -Low level-
 12. Commutateur de contour sonore
 13. Volume/Équilibrage

- FRONTSEITE**
1. Netzschafter
 2. Kopfhörer-Anschluß
 3. Lautsprecher Wählschalter
 4. Basssteller
 5. Höhensteller
 6. Bass/Equalizer Schalter
 7. Schalter für Infrasschall-Filter

- FRONTSEITE**
8. Mono-Steuerung Schalter
 9. Nur Über Band Schalter
 10. Eingangsw. Wählschalter
 11. Schalter für Lautstärkeabsenkung
 12. Geeignichte Lautstärke Einstellung
 13. Lautstärke Balance-Steller



Specifications

NAD 3240PE Stereo Amplifier

Measured in accordance with EIA Standard RS-490 (formerly IHF A-202). Measurements referred to 8 ohms taken with Speaker Impedance selector set to "8Ω (High)." Measurements for 4 and 2 ohms taken with Impedance selector at "4Ω (Normal)."

Power Amplifier Section

CONTINUOUS AVERAGE POWER

OUTPUT AT 8 OHMS (minimum RMS power per channel, both channels driven, with no more than the rated distortion) 40 W (16 dBW)

Rated distortion (THD), 20 Hz - 20 kHz 0.03%

Clipping power, 1 kHz (maximum continuous power per channel) 50 W

Dynamic Headroom at 8 ohms +6 dB

Dynamic power (maximum short-term power per channel)

8 ohms	160 W
4 ohms	200 W
2 ohms	250 W

Damping factor > 50

Slew factor > 50

Slew rate 15V/μsec

T.H.D. and SMPTE I.M. distortion from 250 mW to rated output < 0.03%

IHF I.M. (CCIF IM) and T.I.M. distortion at rated output < 0.03%

Input impedance 22 kΩ

Input sensitivity for 1 W/ 40 W out 160 mV / 1.0 V

Power amp gain 25 dB (18X)

Preamplifier Section

Phono Input

Input Impedance R = 47kΩ , C = 100 pF

Input Sensitivity (1 kHz) 0.55 mV for 1 W out
3.5 mV for 40 W out

Signal-to-Noise Ratio with cartridge connected, A-weighted 76 dB re 5 mV

Input Overload at 20 Hz/1kHz/20kHz 20/180/1500 mV

RIAA Accuracy ±0.5 dB

High-Level Inputs (Tuner, CD, Video, Tape)

Input Impedance R = 15 kΩ , C = 100 pF

Input Sensitivity 26 mV for 1W out
160 mV for 40W out

Signal-to-Noise ratio, A-weighted 86 dB re 1 W out
102 dB re 40W out

Input Overload >10 V

Frequency Response 20Hz - 20kHz ±0.5 dB

Outputs

Preamp output impedance 600 Ω

Tape output impedance Source Z + 1000 Ω

Controls

Treble ±7 dB at 10kHz

Bass ±10 dB at 50 Hz

Bass Equalization +3 dB at 70 Hz

+6 dB at 40 Hz

Infrasonic Filter -3 dB at 12 Hz

12 dB/octave

Low Level (audio muting) -20 dB

Physical Specifications

Width x Height x Depth 42 x 10.8 x 38 cm.
16.5 x 4.25 x 15 in.

Net Weight 6.7 kg (14 lbs 14 oz)

Shipping Weight 8 kg (17 lb 12 oz)

Power Consumption 50/60 Hz at 110, 120, 220, or 240 VAC
200 W

Specifications are those in effect at the time of printing. NAD reserves the right to change specifications or designs at any time without notice.

ALIGNMENT METHOD

AUDIO SECTION 3240PE

IMPORTANT

Speaker Impedance switch should be in 8 ohm position while adjusting center voltage and idling current.

INITIAL ADJUSTMENT (No load connected)

A. CENTER VOLTAGE

1. Connect DC millivoltmeter to L channel output terminals.
2. Turn on and adjust to 0 V \pm 30mV with VR401 (10KB). Connect DC millivoltmeter to R channel output terminals and adjust VR402 to 0 V \pm 30mV.

B. IDLING CURRENT

1. Remove solder short across R471 and R472.
2. Connect DC millivoltmeter across R471 (1 ohm) (output transistor's collector resistor) and adjust VR403 (1KB) for 26-30mV reading on meter.
Repeat adjust with VR404 (1KB), connecting meter across R472(1 ohm)
3. leave power on for minimum 5 minutes.

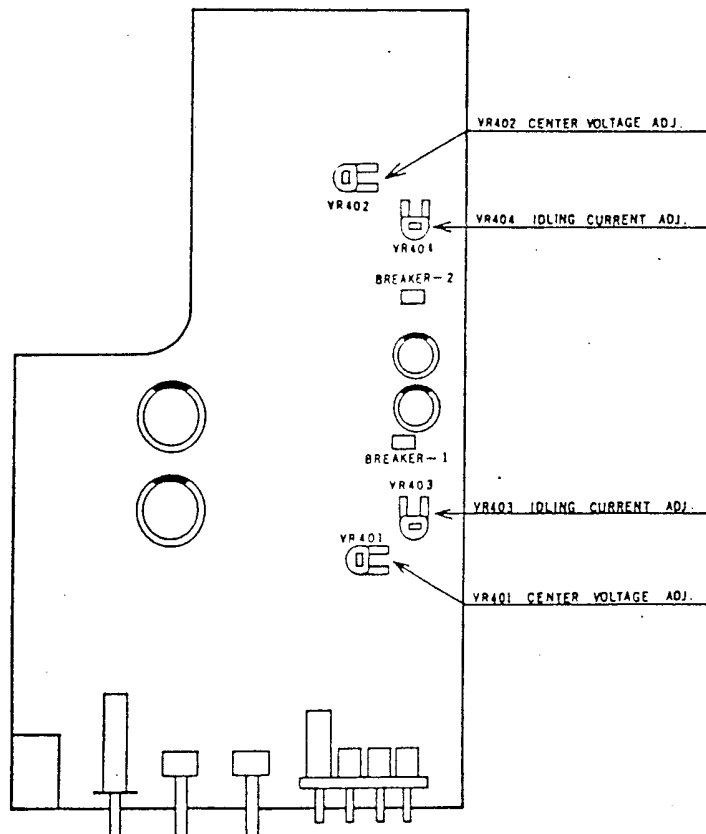
FINAL ADJUSTMENT

C. CENTER VOLTAGE

1. Repeat step A above.

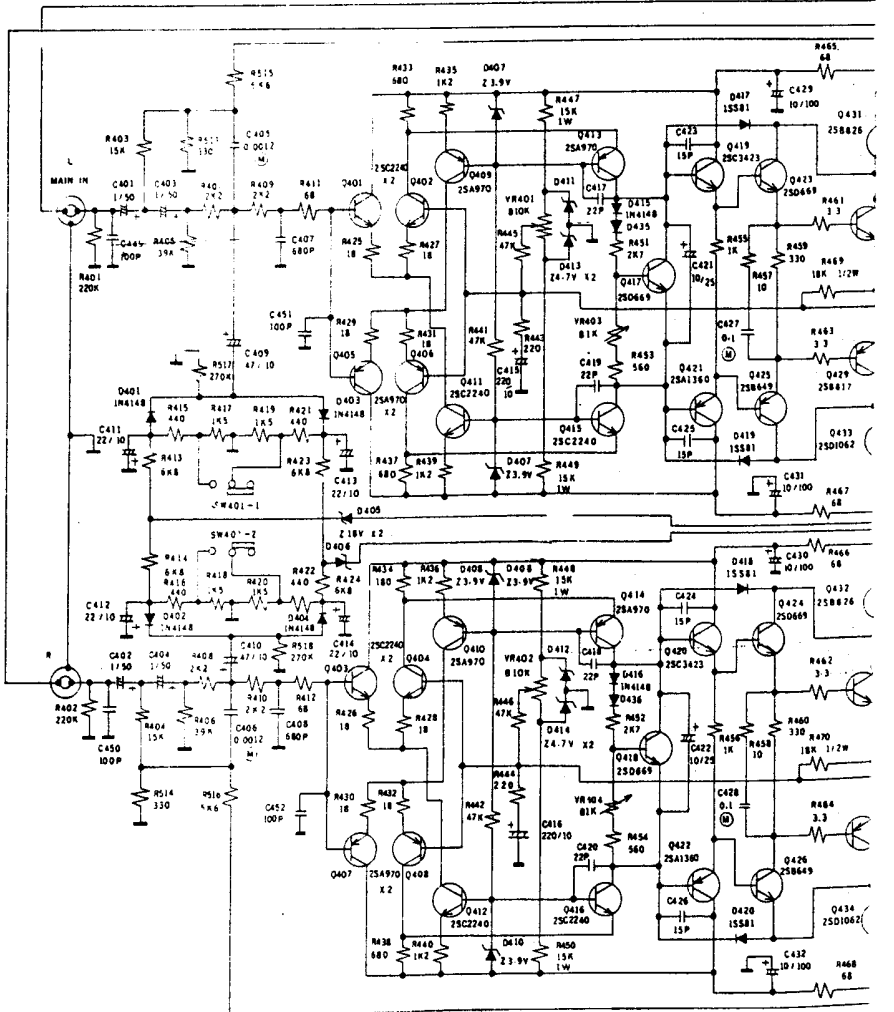
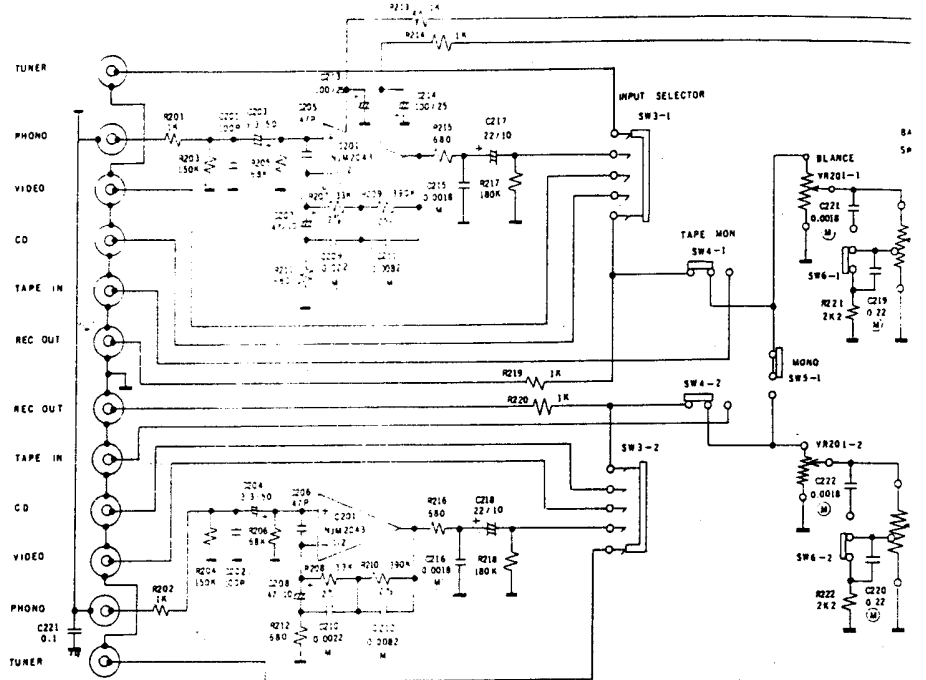
D. IDLING CURRENT

1. Repeat step B and adjust with VR403, VR404 for 30mV reading on meter.
2. After the alignment is finished, 1 ohm resistor R471,R472 is shorted by solder short.



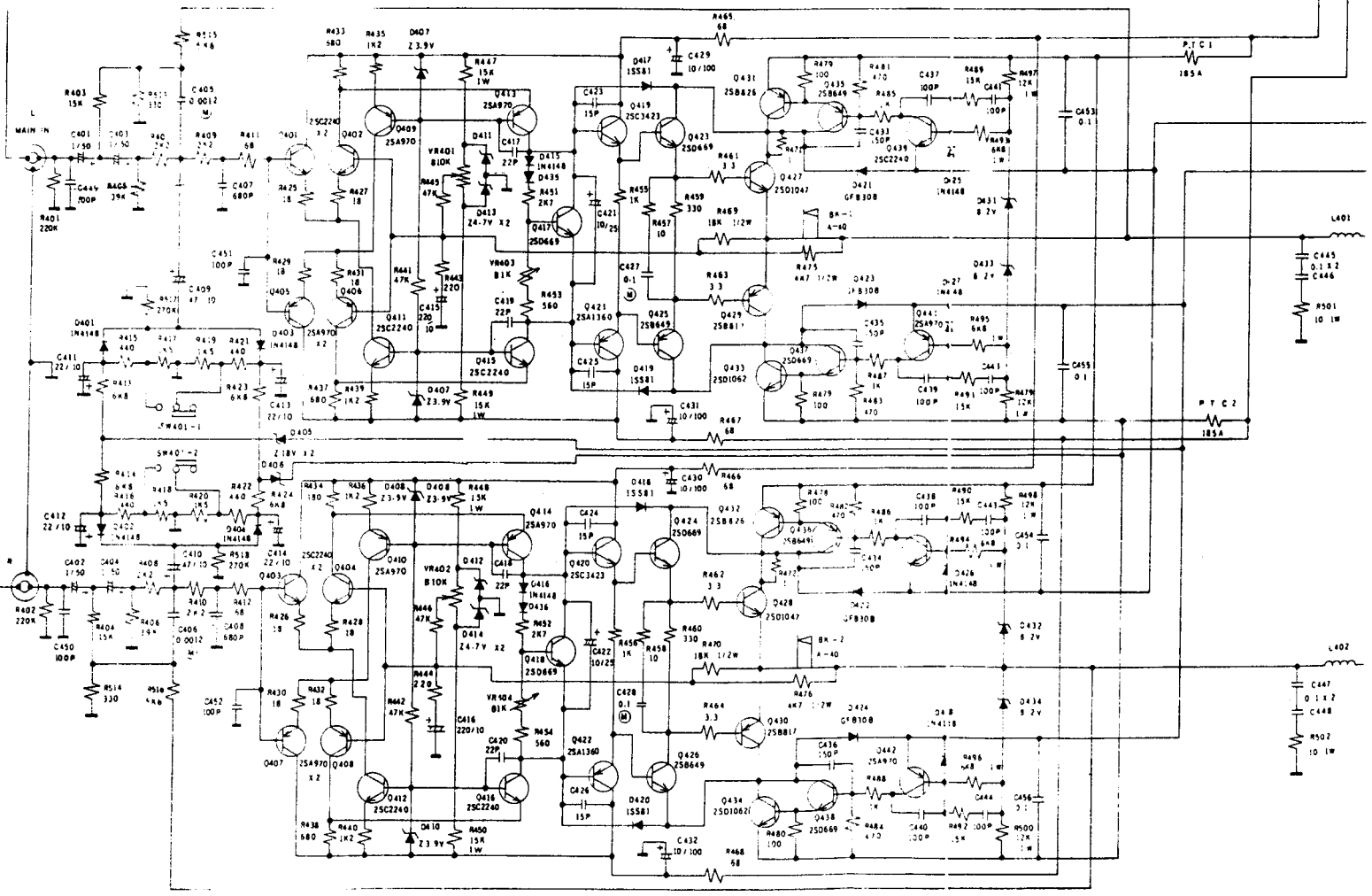
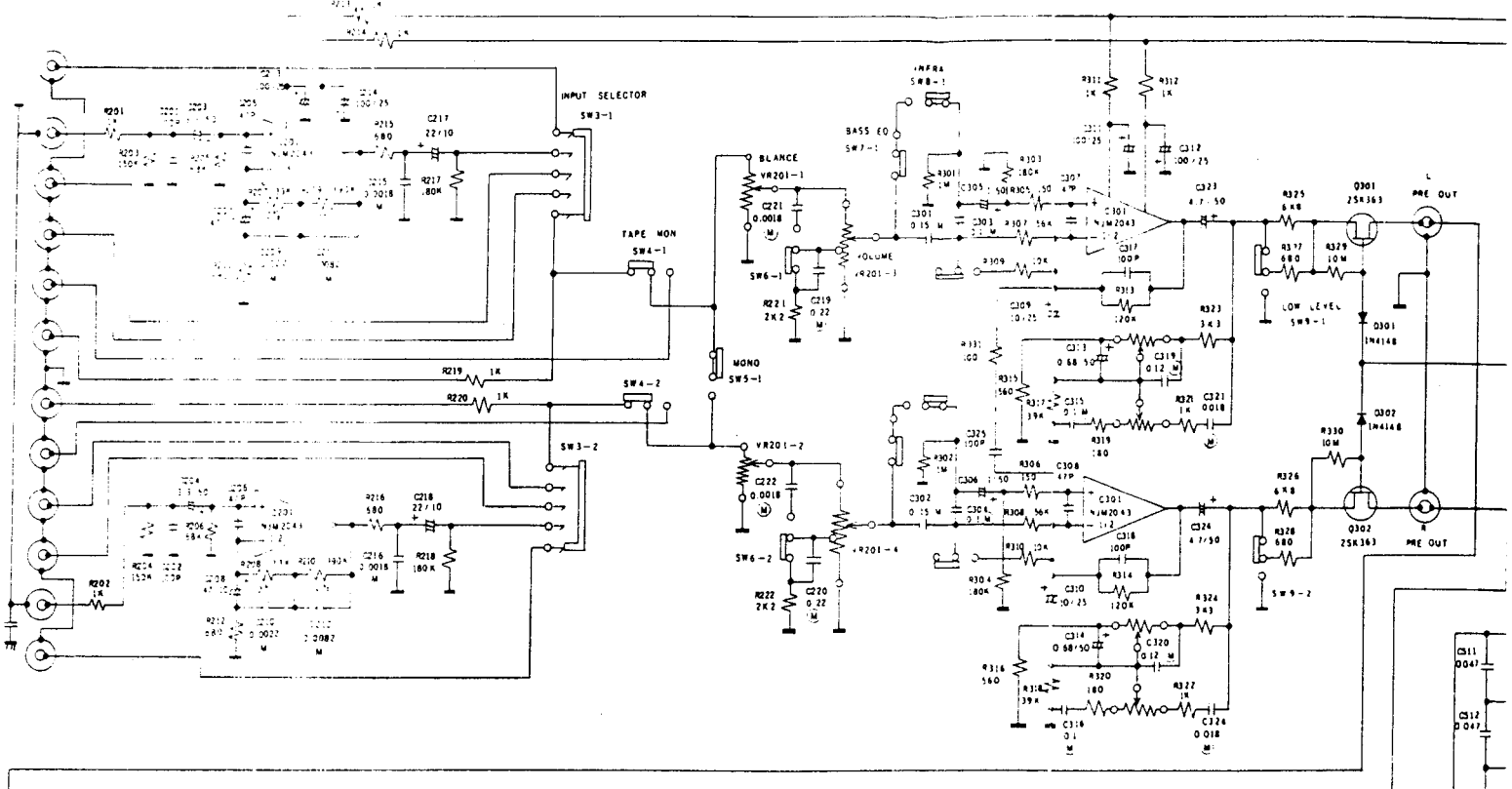
AMPLIFIER ADJUSTMENT POINTS

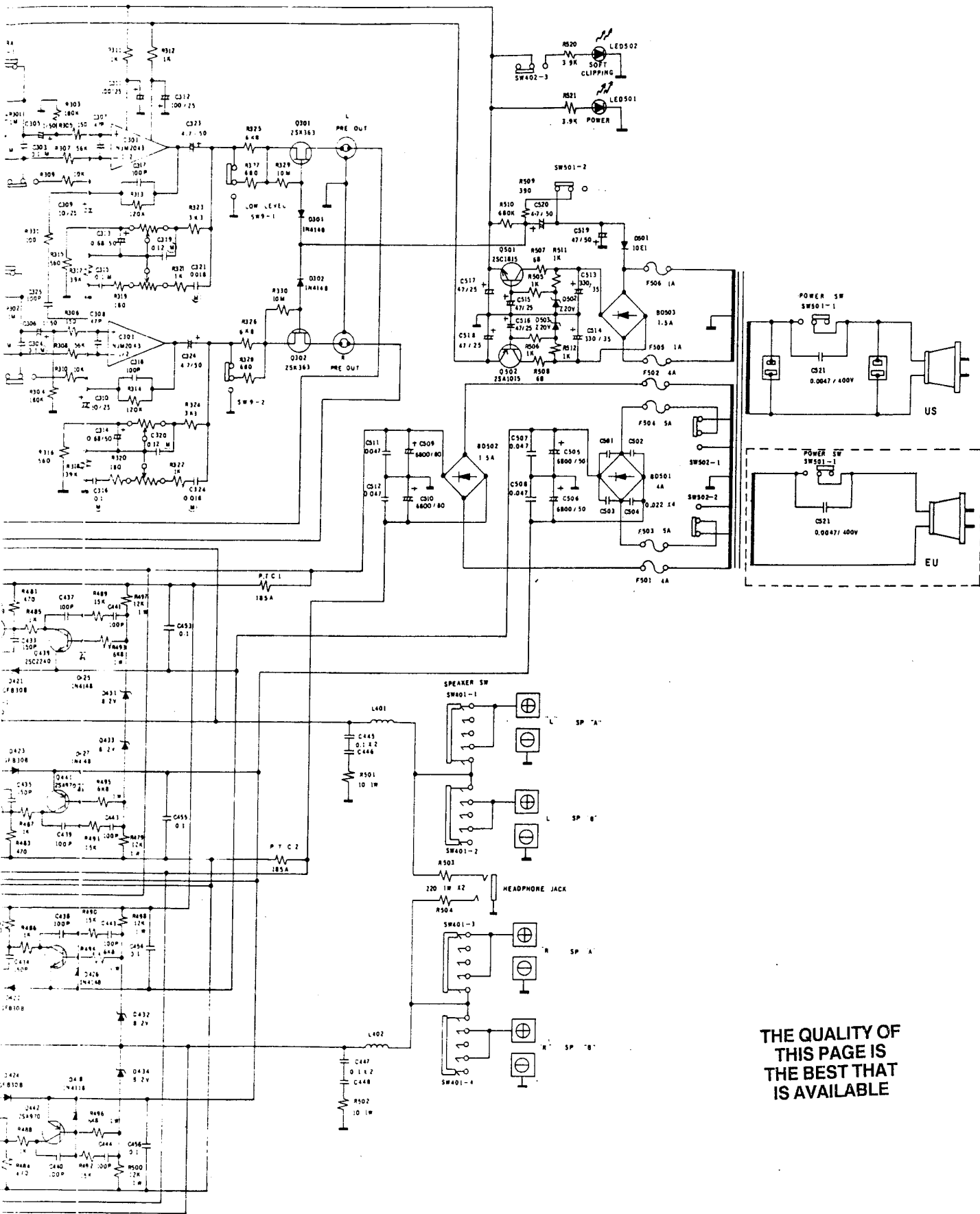
SCHEMATIC DIAGRAM NAD 3240PE AMPLIFIER



**THE QUALITY OF
THIS PAGE IS
THE BEST THAT
IS AVAILABLE**

SCHEMATIC DIAGRAM NAD 3240PE AMPLIFIER





THE QUALITY OF
THIS PAGE IS
THE BEST THAT
IS AVAILABLE

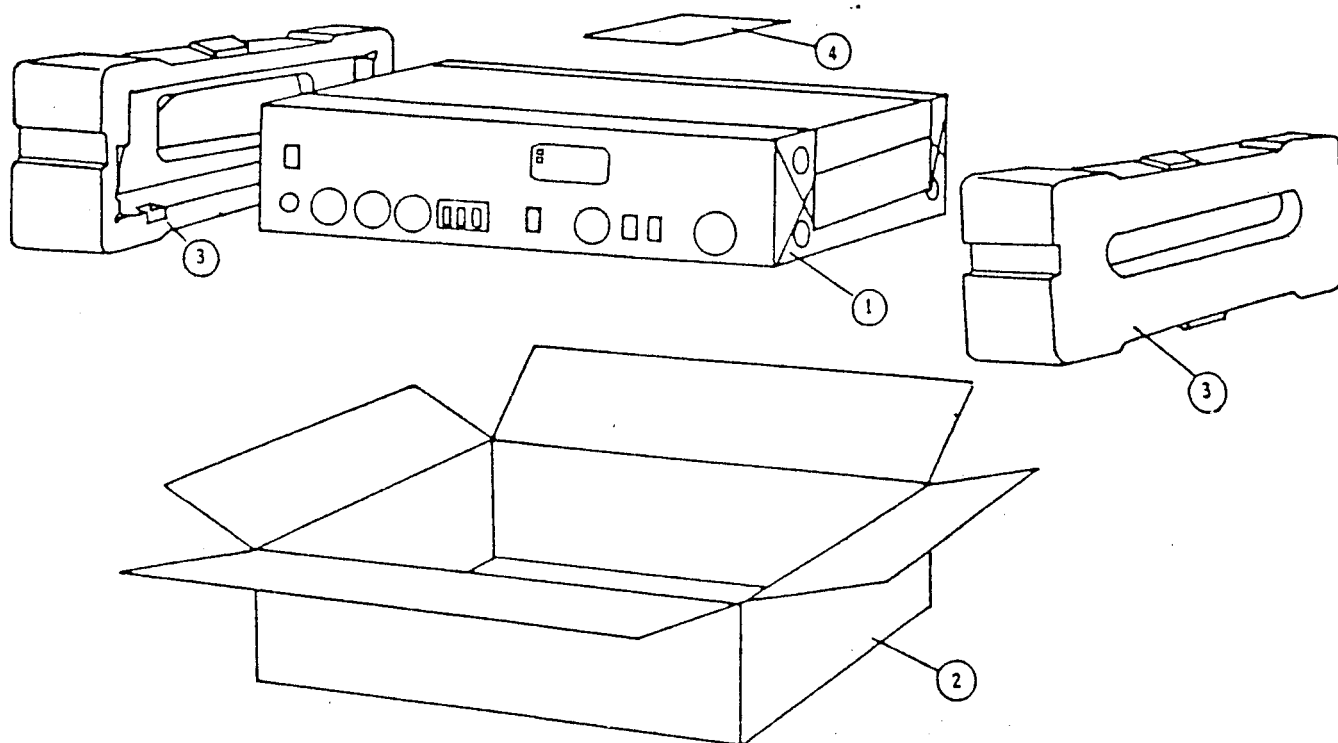
ITEM	PARTS NO.	NAME	Q'TY	ITEM	PARTS NO.	NAME	Q'TY
01	L580A002H01	COVER BOTTOM	1	29	L704C013H02	HAND-POST (RED)	C3 4
02	L561A010H01	CABINET	1	29	L704C013H02	HAND-POST (RED)	C2 4
03	L582A001H01	CHASSIS, FRONT SUB	1	30	L531D018H01	BINDING POST GROUND	1
04	L702A017H02	PANEL, FRONT	1	31	U683D011H01	WASHER PLANE	1
05	L582A002H13	PANEL, REAR	A1 1	32	L703D027H01	PLATE SWITCH LOCK	1
05	L572A002H13	PANEL, REAR	A2 1	33	L449Y002H02	AC SOCKET	A1 2
05	L582A002H13	PANEL, REAR	A 1	33	L449Y002H02	AC SOCKET	A2 2
05	L582A002H15	PANEL, REAR	B 1	33	L449Y002H02	AC SOCKET	A 2
05	L582A002H14	PANEL, REAR	C1 1	33	L449Y002H02	AC SOCKET	C3 2
05	L582A002H14	PANEL, REAR	C 1	33	L449Y002H02	AC SOCKET	C2 2
05	L582A002H15	PANEL, REAR	B1 1	34	L242Y501H01	AC CORD	A1 1
05	L582A002H13	PANEL, REAR	C3 1	34	L242Y501H01	AC CORD	A2 1
05	L582A002H16	PANEL, REAR	C2 1	34	L242Y501H01	AC CORD	A 1
06	L547B005H01	FRAME (L)	1	34	L242Y501H01	AC CORD	B 1
07	L547B006H01	FRAME (R)	1	34	L242Y501H01	AC CORD	C1 1
08	L565B005H01	HEAR STNK	1	34	L242Y501H01	AC CORD	C 1
09	L541C017H01	BRACKER, PCB SUPPORT	1	34	L242Y501H01	AC CORD	B1 1
10	L704D062H01	KNOB VOLUME	1	34	L242Y501H01	AC CORD	C3 1
11	L704D061H01	KNOB, FUNCTION SELECTOR	6	34	L242Y501H01	AC CORD	C2 1
12	L704D061H02	KNOB POWER	1	35	L540D501H01	CLAMPER	1
13	L704D065H01	KNOB BALANCE	1	36	L291D006H01	BAR LINK	1
14	L704D064H01	KNOB ROTARY	4	37	L552D013H01	CUSHION SPONGE	1
15	L550D037H01	RING, FELT TONECONTROL	4	38	L771D006H01	FOOT RUBBER	4
16	L550D037H02	RING, FELT VOLUMECONTROL	4	39	U650S065H19	SCREW-BM3x6	6
17	L241B092G60	PCB ASS'Y MAIN (LED)	1	40	U650S063H19	SCREW-BM3x6	12
18	L550D036H02	BEARING SHAFT	1	41	L650S063H95	SCREW-PM4x10	6
19	L531D017H01	SHAFT, INPUT SELECTOR	1	42	U650S063H95	SCREW-PM4x10	4
20	L526D022H01	SLEEVE, INPUT SELECTOR SWITCH	1	43	U650S025H31	SCREW-PM4x10	4
21	L241B094G11	PCB ASS'Y CONTROL (PHONO)	1	44	U656S164H23	SCREW-TAP 1-3x6	10
22	L241B094G21	PCB ASS'Y CONTROL (VOL)	1				
23	L241B092G10	PCB ASS'Y MAIN	1				
24	L350Y039H01	TRANSFORMER, MAIN POWER	1				
25	L241B092G50	PCB ASS'Y HEADPHONE	1				
26	L241B092G30	PCB ASS'Y BINDING POSTS	1				
27	L541B018H01	BINDING POSTS LOUDSPEAKER	2				
28	L704C013H01	HAND-POST (BLK)	A1 4				
28	L704C013H01	HAND-POST (BLK)	A2 4				
28	L704C013H01	HAND-POST (BLK)	A 4				
28	L704C013H01	HAND-POST (BLK)	B 4				
28	L704C013H01	HAND-POST (BLK)	C1 4				
28	L704C013H01	HAND-POST (BLK)	C 4				
28	L704C013H01	HAND-POST (BLK)	B1 4				
28	L704C013H01	HAND-POST (BLK)	C3 4				
28	L704C013H01	HAND-POST (BLK)	C2 4				
29	L704C013H02	HAND-POST (RED)	A1 4				
29	L704C013H02	HAND-POST (RED)	A2 4				
29	L704C013H02	HAND-POST (RED)	A 4				
29	L704C013H02	HAND-POST (RED)	B 4				
29	L704C013H02	HAND-POST (RED)	C1 4				
29	L704C013H02	HAND-POST (RED)	C 4				
29	L704C013H02	HAND-POST (RED)	B1 4				

3240PE PARTS LIST

SYMBOL NO.	PART NO.	DESCRIPTION	REF								
R201,202,213,214,219,220	L103Y214H19	Res, Carb,	1K	+5%	1/4W	R493,494,495,496	U105S007H35	Res, Metal,	6.8K	+5%	1W
R203,204	L103Y214H45	Res, Carb,	.150K	+5%	1/4W	R497,498,499,500	U105S007H38	Res, Metal,	12K	+5%	1W
R205,206	L103Y214H41	Res, Carb,	68K	+5%	1/4W	R501,502	U105S007H01	Res, Metal,	10	+5%	1W
R207,208	L103Y216H61	Res, Carb,	33K	+2%	1/4W	R503,504	U105S007H17	Res, Metal,	220	+5%	1W
R209,210	L103Y216H87	Res, Carb,	390K	+2%	1/4W	R505,506,511,512	L103Y214H19	Res, Carb,	1K	+5%	1/4W
R211,212,215,216	L103Y214H17	Res, Carb,	680	+5%	1/4W	R507,508	L103Y214H06	Res, Carb,	68	+5%	1/4W
R217,218	L103Y214H46	Res, Carb,	180K	+5%	1/4W	R509	L103Y214H14	Res, Carb,	390	+5%	1/4W
R221,222	L103Y214H23	Res, Carb,	2.2K	+5%	1/4W	R510	L103Y214H53	Res, Carb,	680K	+5%	1/4W
R301,302	L103Y214H55	Res, Carb,	1M	+5%	1/4W	R513,514	U103S017H13	Res, Carb,	330	+5%	1/4W
R303,304	L103Y214H46	Res, Carb,	180K	+5%	1/4W	R515,516	L103Y214H28	Res, Carb,	5.6K	+5%	1/4W
R305,306	L103Y214H09	Res, Carb,	150	+5%	1/4W	R517,518	L103Y214H48	Res, Carb,	270K	+5%	1/4W
R307,308	L103Y214H40	Res, Carb,	56K	+5%	1/4W	R520	L103Y214H26	Res, Carb,	3.9K	+5%	1/4W
R309,310	L103Y214H31	Res, Carb,	10K	+5%	1/4W	R521	L103Y022H26	Res, Carb,	3.9K	+5%	1/4W
R311,312,321,322	L103Y214H19	Res, Carb,	1K	+5%	1/4W	C201,202	L140Y203H35	Cap, Cer,	100pF	+5%	50WV
R313,314	L103Y214H44	Res, Carb,	120K	+5%	1/4W	C203,204	L182Y322H62	Cap, El,	3.3uF	+75-10%	50V
R315,316	L103Y214H16	Res, Carb,	560	+5%	1/4W	C205,206	L140Y203H27	Cap, Cer,	47pF	+5%	50WV
R317,318	L103Y214H38	Res, Carb,	39K	+5%	1/4W	C207,208	L182Y322H13	Cap, El,	47uF	+50-10%	10V
R319,320	L103Y214H10	Res, Carb,	180	+5%	1/4W	C209,210	L172Y306H05	Cap, Poly,	2200pF	+5%	50WV
R323,324	L103Y214H25	Res, Carb,	3.3K	+5%	1/4W	C211,212	L172Y306H12	Cap, Poly	8200pF	+5%	50WV
R325,326	L103Y214H29	Res, Carb,	6.8K	+5%	1/4W	C213,214	L182Y322H38	Cap, El,	100uF	+50-10%	25V
R327,328	L103Y214H17	Res, Carb,	680	+5%	1/4W	C215,216,221,222	L172Y306H04	Cap, Poly,	1800pF	+5%	50WV
R329,330	L103Y214H59	Res, Carb,	10M	+5%	1/4W	C217,218	L182Y322H21	Cap, El,	22uF	+50-10%	16V
R331	L103Y214H07	Res, Carb,	100	+5%	1/4W	C219,220	U172S002H15	Cap, Poly,	0.22uF	+5%	50V
R401,402	L103Y214H47	Res, Carb,	220K	+5%	1/4W	C233	L140Y201H25	Cap, Cer,	0.1uF	+10%	25WV
R403,404,489,490,491,492	L103Y214H33	Res, Carb,	15K	+5%	1/4W	C301,302	U172S002H14	Cap, Poly,	0.15uF	+5%	50WV
R405,406	L103Y214H38	Res, Carb,	39K	+5%	1/4W	C303,304	L172Y306H25	Cap, Poly,	0.1uF	+5%	50WV
R407,408,409,410	L103Y214H23	Res, Carb,	2.2K	+5%	1/4W	C305,306	U182S333H40	Cap, El,	1uF	+75-10%	50V
R411,412	L103Y214H06	Res, Carb,	68	+5%	1/4W	C307,308	L140Y203H27	Cap, Cer,	47pF	+5%	50WV
R413,414,423,424	L103Y214H29	Res, Carb,	6.8K	+5%	1/4W	C309,310	L182Y322H34	Cap, El,	10uF	+50-10%	25V
R415,416,421,422	L103Y022H80	Res, Carb,	440	+5%	1/4W	C311,312	L182Y322H38	Cap, El,	100uF	+50-10%	25V
R417,418,419,420	L103Y214H21	Res, Carb,	1.5K	+5%	1/4W	C313,314	U182S322H38	Cap, El,	0.68uF	+75-10%	50V
R425,426,427,428,429,430,431	L103Y214H66	Res, Carb,	18	+5%	1/4W	C315,316	U172S002H13	Cap, Poly,	0.1uF	+5%	50WV
R432						C317,318	L140Y203H35	Cap, Cer,	100pF	+5%	50WV
R433,434,437,438	L103Y214H17	Res, Carb,	680	+5%	1/4W	C319,320	L172Y306H26	Cap, Poly,	0.12uF	+5%	50WV
R435,436,439,440	L103Y214H20	Res, Carb,	1.2K	+5%	1/4W	C321,322	L172Y306H16	Cap, Poly,	0.018uF	+5%	50WV
R441,442,445,446	L103Y214H39	Res, Carb,	47K	+5%	1/4W	C323,324	L182Y322H63	Cap, El,	4.7uF	+75-10%	50V
R443,444	L103Y214H11	Res, Carb,	220	+5%	1/4W	C325	L140Y203H35	Cap, Cer,	100pF	+5%	50WV
R447,448,449,450	U105S007H39	Res, Metal,	15K	+5%	1W	C401,402,403,404	U182S333H40	Cap, El,	1uF	+75-10%	50V
R451	U103S017H24	Res, Carb,	2.7K	+5%	1/4W	C405,406	L172Y306H02	Cap, Poly,	1200pF	+5%	50WV
R452	L103Y214H24	Res, Carb,	2.7K	+5%	1/4W	C407,408	L140Y306H10	Cap, Cer,	680pF	+10%	50WV
R453,454	L103Y214H16	Res, Carb,	560	+5%	1/4W	C409,410	L182Y322H13	Cap, El,	47uF	+50-10%	10V
R455,456	L103Y214H19	Res, Carb,	1K	+5%	1/4W	C411,412,413,414	L182Y322H23	Cap, El,	22uF	+50-10%	16V
R457,458	L103Y214H01	Res, Carb,	10	+5%	1/4W	C415,416	U182S022H15	Cap, El,	220uF	+50-10%	10V
R459,460	L103Y214H13	Res, Carb,	330	+5%	1/4W	C417,418,419,420	L140Y203H19	Cap, Cer,	22pF	+5%	50WV
R461,462,463,464	U103S140H60	Res, Carb,	3.3	+5%	1/3W	C421,422	L182Y322H34	Cap, El,	10uF	+50-10%	25V
R465,466,467,468	U103S140H06	Res, Carb,	68	+5%	1/3W	C423,424,425,426	L140Y203H15	Cap, Cer,	15pF	+5%	50WV
R469,470	U103S024H34	Res, Carb,	18K	+5%	1/2W	C427,428	L172Y306H25	Cap, Poly,	0.1uF	+5%	50WV
R471,472	L103Y214H62	Res, Carb,	1	+5%	1/4W	C429,430,431,432	U182S022H88	Cap, El,	10uF	+50-10%	100V
R475,476	U103S024H27	Res, Carb,	4.7K	+5%	1/2W	C433,434,435,436	L140Y203H39	Cap, Cer,	150pF	+5%	50WV
R477,478,479,480	L103Y214H07	Res, Carb,	100	+5%	1/4W	C437,438,439,440,441,442,443	L140Y203H35	Cap, Cer,	100pF	+5%	50WV
R481,482,483,484	L103Y214H15	Res, Carb,	470	+5%	1/4W	C444,449,450,451,452					
R485,486,487,488	U103S140H19	Res, Carb,	1K	+5%	1/3W	C445,446,447,448	L140Y201H25	Cap, Cer,	0.1uF	+10%	25WV
						C453,454,455,456	U140S021H71	Cap, Cer,	0.1uF	+80-20%	50WV
						C501,502,503,504	L140Y306H39	Cap, Cer,	0.022uF	+80-20%	50WV
						C505,506	U180S016H01	Cap, El,	6800uF	+50-10%	50V
						C507,508	L140Y306H45	Cap, Cer,	0.047uF	+80-20%	50WV

C509,510	L180Y038H02	Cap, EI,	6800uF	+50-10%	80V	SW501	L432Y035H01	SW-POWER		A1
C511,512	L140Y306H45	Cap, Cer,	0.047uF	+80-10%	50WV	SW501	L432Y035H01	SW-POWER		A2
C513,514	U182S022H51	Cap, EI,	330uF	+50-10%	35V	SW501	L432Y035H01	SW-POWER		A
C515,516,517,518	L182Y322H37	Cap, EI,	47uF	+50-10%	25V	SW501	L432Y034H01	SW-POWER		B
C519	L182Y322H67	Cap, EI,	47uF	+50-10%	50V	SW501	L432Y034H01	SW-POWER		C1
C520	L182Y322H63	Cap, EI,	4.7uF	+75-10%	50V	SW501	L432Y034H01	SW-POWER		C
C521	U140Y007H07	Cap, Cer,	0.0047uF	+/-10%	400V	SW501	L432Y034H01	SW-POWER		B1
Q301,302	L260D036H01	TR	25K363(GR)			SW501	L432Y034H01	SW-POWER		C2
Q401,402,403,404,411,412,415	L260D058H01	TR	25C2240(GR)			SW501	L432Y034H01	SW-POWER		C3
Q416,439,440						PT1	L350Y083H01	TRANS-POWER		A1
Q405,406,407,408,409,410,413	L260D057H01	TR	2SA970(GR)			PT1	L350Y087H01	TRANS-POWER		A2
Q414,441,442						PT1	L350Y084H01	TRANS-POWER		A
Q417,418,423,424,437,438	L260D024H05	TR	2SD669A(C)			PT1	L350Y086H01	TRANS-POWER		B
Q419,420	L260D060H01	TR	25C3423(Y)			PT1	L350Y085H01	TRANS-POWER		C1
Q421,422	L260D059H01	TR	2SA1360(Y)			PT1	L350Y086H01	TRANS-POWER		B1
Q425,426,435,436	L260D021H05	TR	25B649A(C)			PT1	L350Y088H01	TRANS-POWER		C3
Q427,428	L260D064H02	TR	2SD1047(E)			PT1	L350Y085H01	TRANS-POWER		C2
Q429,430	L260D063H03	TR	25B817(E)			SW	L431Y013H01	SW-SLIDE		A1
Q431,432	L260D061H03	TR	25B826			SW	L431Y013H01	SW-SLIDE		A2
Q433,434	L260D062H03	TR	2SD1062			SW	L431Y016H01	SW-SLIDE		A
Q501	U260S061H03	TR	25C1815(GR)			SW	L431Y013H01	SW-SLIDE		B
Q502	L260D020H02	TR	2SA1015(GR)			SW	L431Y013H01	SW-SLIDE		C1
D301,302,401,402,403,404,415	U264D037H01	DIODE	IN4148			SW	L431Y013H01	SW-SLIDE		C
D416,425,426,427,428						SW	L431Y013H01	SW-SLIDE		B1
D405,406	L264C003H53	DIODE-ZENER	UZ-15BL			SW	L431Y013H01	SW-SLIDE		C3
D407,408,409,410	L264C003H16	DIODE-ZENER	UZ-3.9B			SW	L431Y013H01	SW-SLIDE		C2
D411,412,413,414	L264C003H20	DIODE-ZENER	UZ-4.7B			F503/F504	U283S017H17	FUSE	5A-UL	A1
D417,518,419,420	U264S010H01	DIODE	ISS81			F503/F504	U283S017H17	FUSE	5A-UL	A2
D421,422,423,424	U264D022H01	DIODE	GF830(B)			F503/F504	U283S017H17	FUSE	5A-UL	A
D431,432,433,434	L264C003H36	DIODE-ZENER	UZ-8.2B(M)			F503/F504	U283S022H28	FUSE	5A-SENKO	B
D501	U264S003H01	DIODE	10E1			F503/F504	U283S022H28	FUSE	5A-SENKO	C1
D502,503	U264C003H63	DIODE-ZENER	UZ-20B(M)			F503/F504	U283S022H28	FUSE	5A-SENKO	C
BD501	L264D018H01		PBL403			F503/F504	U283S022H28	FUSE	5A-SENKO	B1
BD502,503	L264D017H01		PB153M			F503/F504	U283S017H17	FUSE	5A-UL	C3
LED	L268Y026H01	LED,	SE-9421D (GRN)			F505/F506	U283S022H28	FUSE	5A-SENKO	C2
LED	L268Y017H01	LED,	SE-9431D (YEL)			F505/F506	U283S017H10	FUSE	1A-UL	A1
IC201	L361Y020H01	IC,	NJM2043(D)			F505/F506	U283S017H10	FUSE	1A-UL	A2
IC301	L262C020H01	IC,	NJM2043(D)			F505/F506	U283S017H10	FUSE	1A-UL	A
L401,402	L361Y023H01	COIL, SPRING				F505/F506	U283S022H17	FUSE	1A-SENKO	B
BK-1,2	L422Y001H14	BREAKER	A-40			F505/F506	U283S022H17	FUSE	1A-SENKO	C1
VR201	L121Y009H01	VR,	20KB+50KMM			F505/F506	U283S022H17	FUSE	1A-SENKO	C
VR301,302	L121Y010H01	VR, ROTARY	10KC			F505/F506	U283S022H17	FUSE	1A-SENKO	B1
VR401,402	L127Y003H07	VR-SEMI	B10K			F505/F506	U283S017H10	FUSE	1A-UL	C3
VR403,404	L127Y003H02	VR,	B1K			F505/F506	U283S022H17	FUSE	1A-SENKO	C2
SW	L430Y009H01	SW-SELECT	CD/PHONO/TUNER/AUX			F501/F502	U283S017H16	FUSE	4A-UL	A1
SW	L432Y028H01	SW-PUSH	LOW LEVEL LOUDNESS			F501/F502	U283S017H16	FUSE	4A-UL	A2
SW	L432Y056H01	SW-PUSH	TAPE MONITOR			F501/F502	U283S017H16	FUSE	4A-UL	A
SW5,7,8	L432Y045H01	SW-PUSH				F501/F502	U283S022H22	FUSE	4A-SENKO	B
SW401	L431Y014H01	SW-SLIDE				F501/F502	U283S022H22	FUSE	4A-SENKO	C1
SW402	L430Y010H01	SW-ROTARY				F501/F502	U283S022H22	FUSE	4A-SENKO	C
J	L440Y005H01	JACK-RCA	PHONO			F501/F502	U283S022H22	FUSE	4A-SENKO	B1
J	L440Y006H01	JACK-RCA	TAPE/REC OUT PRE OUT/MAIN IN			F501/F502	U283S017H16	FUSE	4A-UL	C3
J	L440Y008H01	JACK-RCA	TUNER/CD/AUX			F501/F502	U283S022H22	FUSE	4A-UL	C2
J	L451Y017H02	JACK	HEAD PHONO			F501/F502	L230Y003H01	CONNECTOR		A2
J	L457D501H01	FUSE-HOLDER				F501/F502	L230Y003H01	CONNECTOR		B
J	U565D502H01	RADIATOR				F501/F502	L230Y003H01	CONNECTOR		C1
J	L265Y001H06	PTC				F501/F502	L230Y003H01	CONNECTOR		C
J	U685S223H01	PIN				F501/F502	L230Y003H01	CONNECTOR		B1

PACKING DIAGRAM



ITEM	NUMBER	NAME	Q'TY
1	L831D002H01	Bag-Poly	1
2	L800D003H04	Carton Individual	1
3	L813A006H01	Styro Packing	2
4	L871B502H85	Instruction	1