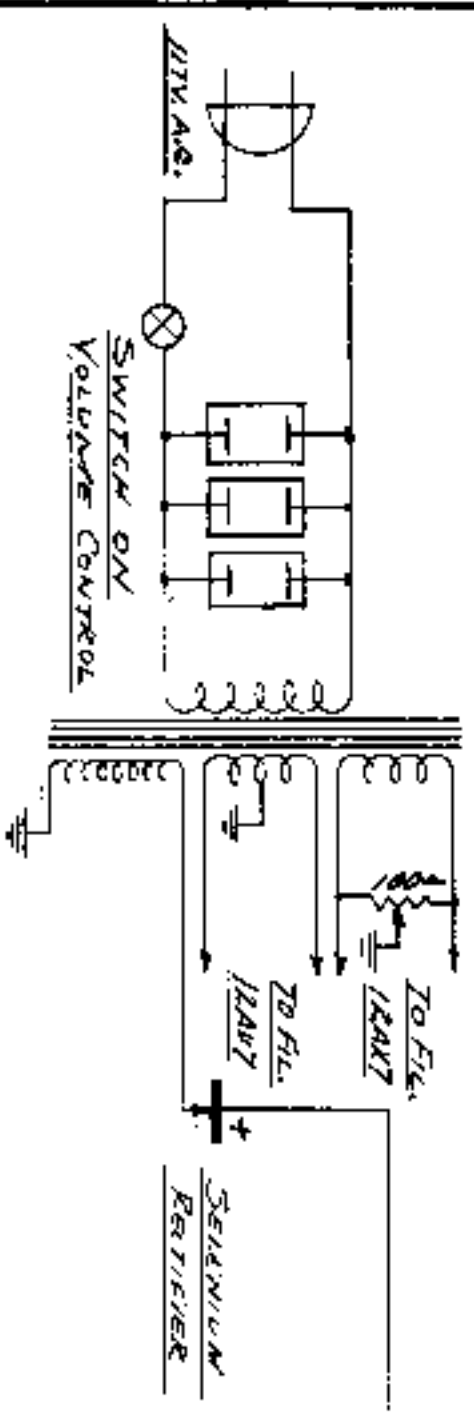
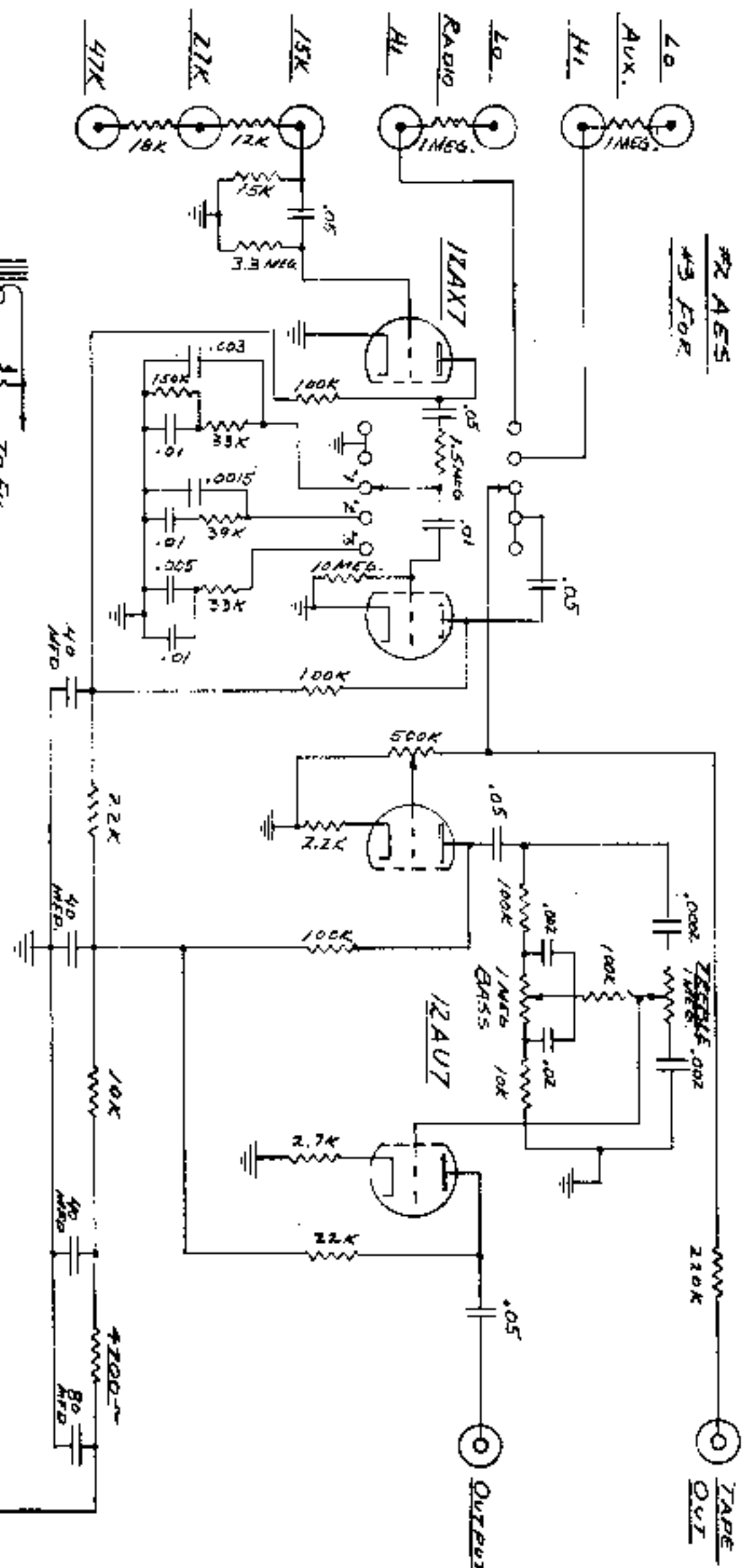


SWITCH POSITIONS

- #1 L.D
- #2 A65
- #3 FOR



WA-300	
DATE: 10-9-54	APPROVED BY:
Don Mc Gowan CHICAGO, ILL.	