

Service Manual

TT-15S1 /N1M/T1M

Turntable



TABLE OF CONTENTS

SECTION	PAGE
1. TECHNICAL SPECIFICATIONS	1
2. EXPLODED VIEW AND PARTS LIST	2
3. USER GUIDE	

Please use this service manual with referring to the user guide (D.F.U.) without fail.
修理の際は、必ず取扱説明書を準備し操作方法を確認の上作業を行ってください。

marantz®

TT-15S1

Part no. 90M31BW855020
First Issue 2005.01
MJJ

TT-15S1

MARANTZ DESIGN AND SERVICE

Using superior design and selected high grade components, **MARANTZ** company has created the ultimate in stereo sound. Only original **MARANTZ** parts can insure that your **MARANTZ** product will continue to perform to the specifications for which it is famous.

Parts for your **MARANTZ** equipment are generally available to our National Marantz Subsidiary or Agent.

ORDERING PARTS :

Parts can be ordered either by mail or by Fax.. In both cases, the correct part number has to be specified.

The following information must be supplied to eliminate delays in processing your order :

1. Complete address
2. Complete part numbers and quantities required
3. Description of parts
4. Model number for which part is required
5. Way of shipment
6. Signature : any order form or Fax. must be signed, otherwise such part order will be considered as null and void.

USA

MARANTZ AMERICA, INC
1100 MAPLEWOOD DRIVE
ITASCA, IL. 60143
USA
PHONE : 630 - 741 - 0300
FAX : 630 - 741 - 0301

EUROPE / TRADING

MARANTZ EUROPE B.V.
P. O. BOX 8744, BUILDING SILVERPOINT
BEEMDSTRAAT 11, 5653 MA EINDHOVEN
THE NETHERLANDS
PHONE : +31 - 40 - 2507844
FAX : +31 - 40 - 2507860

CANADA

MARANTZ CANADA INC.
5-505 APPLE CREEK BLVD.
MARKHAM, ONTARIO L3R 5B1
CANADA
PHONE : 905 - 415 - 9292
FAX : 905 - 475 - 4159

AUSTRALIA

QualiFi Pty Ltd,
24 LIONEL ROAD,
MT. WAVERLEY VIC 3149
AUSTRALIA
PHONE : +61 - (0)3 - 9543 - 1522
FAX : +61 - (0)3 - 9543 - 3677

THAILAND

MRZ STANDARD CO., LTD
746 - 754 MAHACHAI ROAD.,
WANGBURAPAPIROM, PHRANAKORN,
BANGKOK, 10200 THAILAND
PHONE : +66 - 2 - 222 9181
FAX : +66 - 2 - 224 6795

SINGAPORE

WO KEE HONG DISTRIBUTION PTE LTD
No.1 JALAN KILANG TIMOR
#08-03 PACIFIC TECH CENTRE
SINGAPORE 159303
PHONE : +65 6376 0338
FAX : +65 6376 0166

NEW ZEALAND

WILDASH AUDIO SYSTEMS NZ
14 MALVERN ROAD MT ALBERT
AUCKLAND NEW ZEALAND
PHONE : +64 - 9 - 8451958
FAX : +64 - 9 - 8463554

TAIWAN

PAI- YUING CO., LTD.
6 TH FL NO, 148 SUNG KIANG ROAD,
TAIPEI, 10429, TAIWAN R.O.C.
PHONE : +886 - 2 - 25221304
FAX : +886 - 2 - 25630415

MALAYSIA

WO KEE HONG ELECTRONICS SDN. BHD.
2ND FLOOR BANGUNAN INFINITE CENTRE
LOT 1, JALAN 13/6, 46200 PETALING JAYA
SELANGOR DARUL EHSAN, MALAYSIA
PHONE : +60 - 3 - 7954 8088
FAX : +60 - 3 - 7954 7088

JAPAN *Technical*

MARANTZ JAPAN, INC.
35- 1, 7- CHOME, SAGAMIONO
SAGAMIHARA - SHI, KANAGAWA
JAPAN 228-8505
PHONE : +81 42 748 1013
FAX : +81 42 741 9190

日本マランツ株式会社

本社 〒228-8505
神奈川県相模原市相模大野7-35-1

KOREA

MK ENTERPRISES LTD.
ROOM 604/605, ELECTRO-OFFICETEL, 16-58,
3GA, HANGANG-RO, YONGSAN-KU, SEOUL
KOREA
PHONE : +822 - 3232 - 155
FAX : +822 - 3232 - 154

SHOCK, FIRE HAZARD SERVICE TEST :

CAUTION : After servicing this appliance and prior to returning to customer, measure the resistance between either primary AC cord connector pins (with unit NOT connected to AC mains and its Power switch ON), and the face or Front Panel of product and controls and chassis bottom.

Any resistance measurement less than 1 Megohms should cause unit to be repaired or corrected before AC power is applied, and verified before it is return to the user/customer.

In case of difficulties, do not hesitate to contact the Technical Department at above mentioned address.

1. TECHNICAL SPECIFICATIONS

TURNTABLE

Speed of rotation :	33 1/3 rpm / 45 rpm (78 rpm with optional motor pulley)
Drive unit :	Decoupled synchronous motor in a massive metal-housing, belt drive
Bearing :	Hardened steel, polished sinter bronze insert with a ceramic ball
Platter :	GS-PMMA, acrylic, precision CNC machined surface
Platter height :	30 mm
Speed variation :	±0.2 %
Signal to noise :	80 dB

TONE ARM

ARM form :	Two-point vertical tone arm
Effective length :	239 mm
Overhang :	17 mm

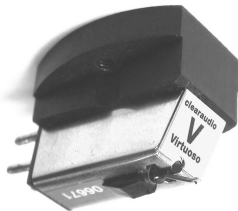
CARTRIDGE (CLEARAUDIO product)

Frequency Response :	20Hz - 20 kHz
Output voltage (1 kHz, 5 cm/s) :	≅ 3.6 mV
Channel separation :	> 30 dB
Channel balance :	< 0.2 dB
Recommendation needle pressure :	2.2 g
Impedance :	0.66 k ohm
Weight :	6.0 g

ABOUT CARTRIDGE

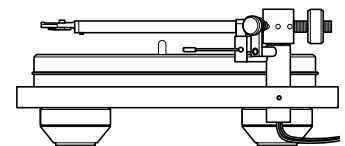
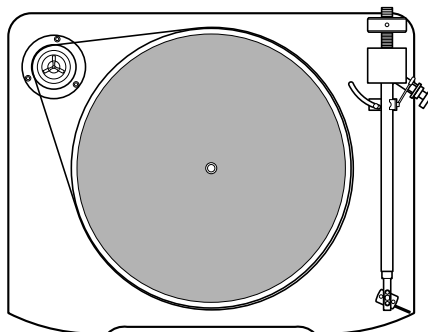
Exchange of only the needle of cartridge (CLEARAUDIO product) is impossible.

CARTRIDGE Service Spare Part no.: **MM new**

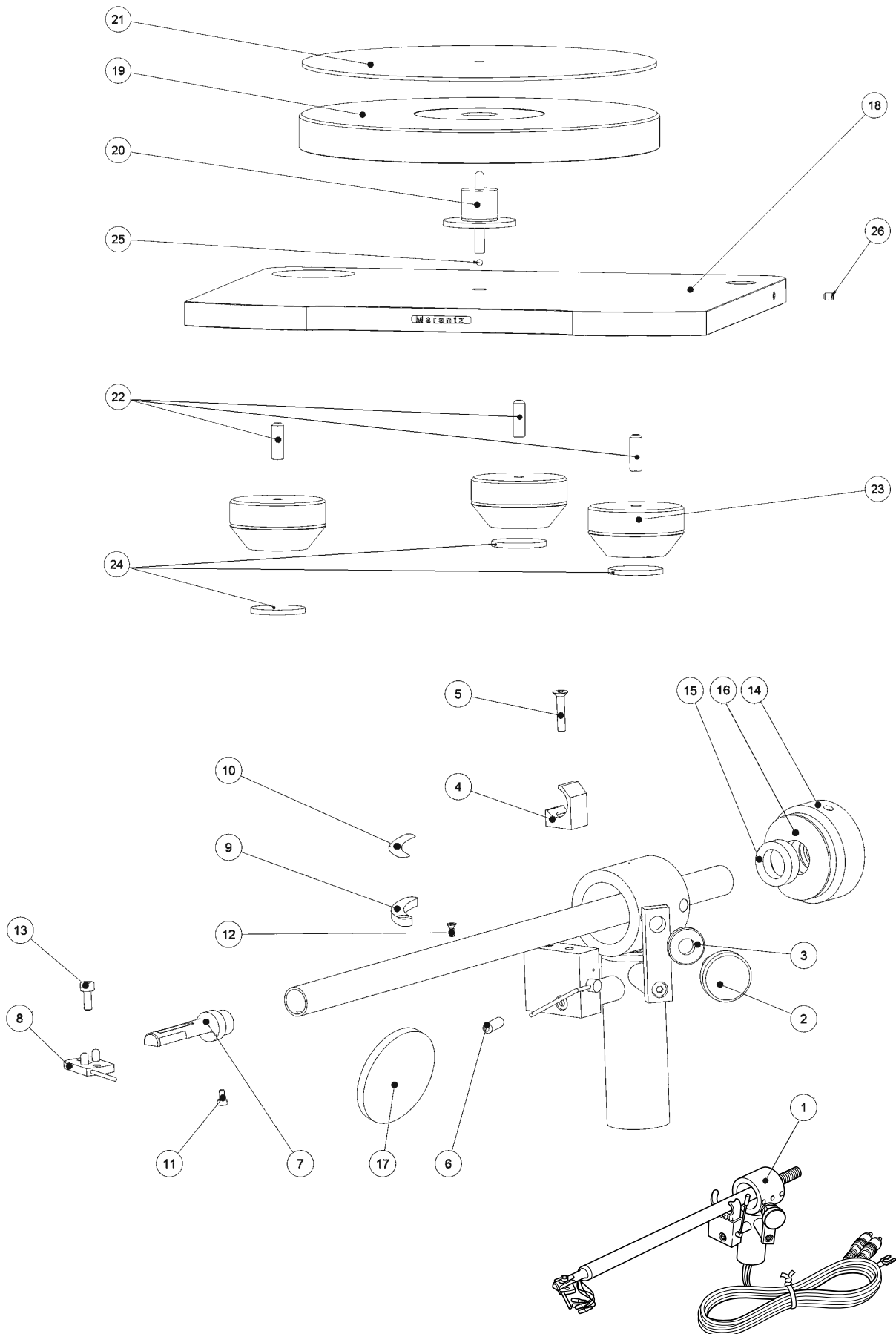


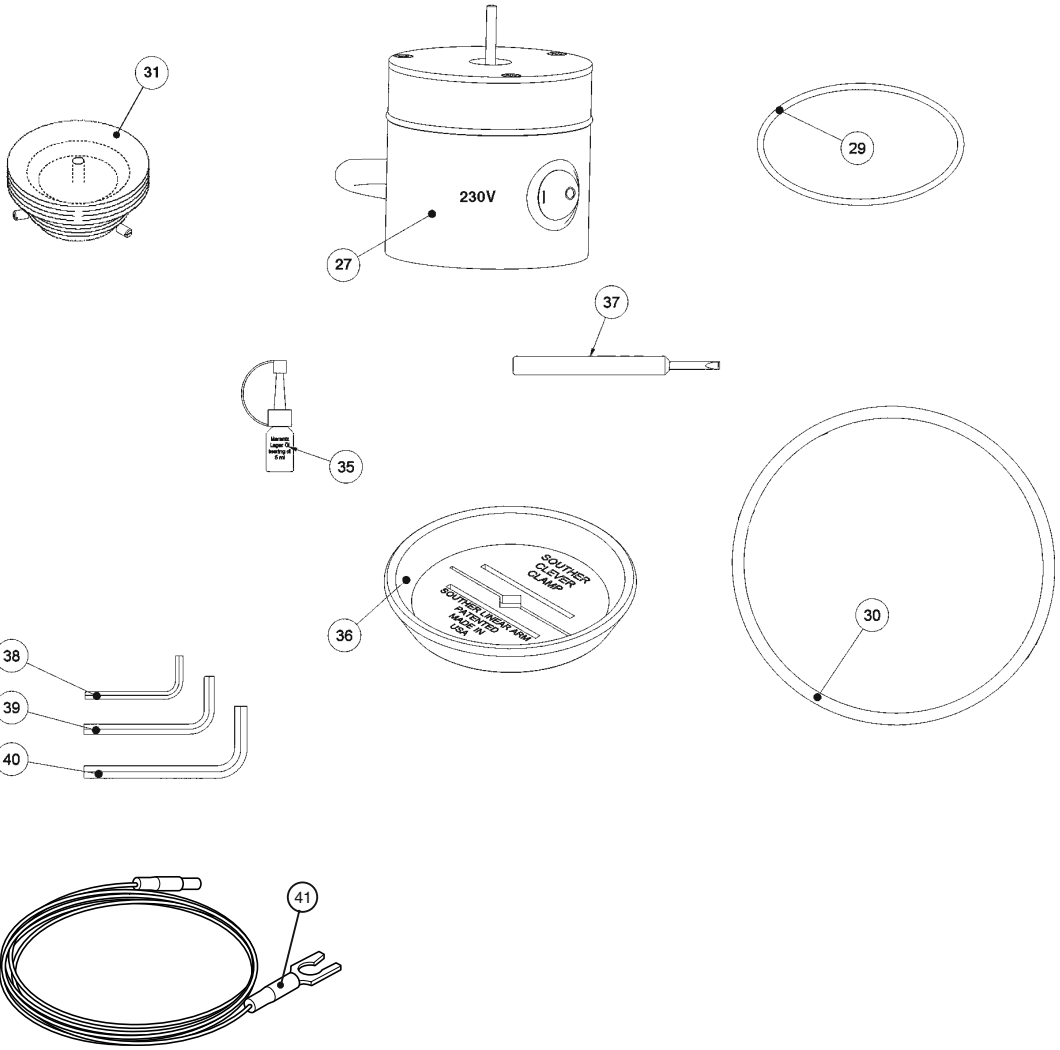
GENERAL

Power requirement :	AC230V, 50 Hz
Power consumption :	5W
Dimensions :	Aprox. 400 mm x 330 mm x 150 mm
Net weight :	8.9 kg (Tone arm and Motor are included)



2. EXPLODED VIEW AND PARTS LIST





POS. NO.	VERS. COLOR	PART NO. (FOR EUR)	PART NO. (MJI)	PART NAME	DESCRIPTION	
		MM new	nsp	PHONO CARTRIDGE	VIRTUOSO MM NEW ELEMENT	MM New
1		SS-TT15/001	nsp	TONE ARM	TONE ARM ASSY	SS-TT15/001
4		SS-TT15/004	nsp	BRACKET	BRACKET FOR REST POSITION OF ARM	SS-TT15/004
5		SS-TT15/005	nsp	SCREW	SCREW FOR REST BRACKET M 3 X 16	SS-TT15/005
6		SS-TT15/006	nsp	KNOB	GRIP FOR TONE ARM LIFT	SS-TT15/006
7		SS-TT15/007	nsp	HOLDER	HEADSHELL UNIFY	SS-TT15/007
14		SS-TT15/014	nsp	WEIGHT	CONTRA WEIGHT	SS-TT15/014
15		SS-TT15/015	nsp	RING	O-RING FOR TONE ARM CONTRA WEIGHT	SS-TT15/015
18		SS-TT15/018	nsp	CHASSIS	MAIN CHASSIS	SS-TT15/018
19		SS-TT15/019	nsp	TURNTABLE	TURNTABLE 30MM	SS-TT15/019
20		SS-TT15/020	nsp	BRACKET	BEARING BRACKET UPPER PART	SS-TT15/020
21		SS-TT15/021	nsp	SHEET	SLIP MAT	SS-TT15/021
25		SS-TT15/025	nsp	SUSTAINER	CERAMIC BALL D=5	SS-TT15/025
27	/N1M /T1M	SS-TT15/027	nsp	PHONO MOTOR UNIT	MOTOR ASSY WITHOUT PULLEY	SS-TT15/027
29		SS-TT15/029	nsp	RING	O-RING	SS-TT15/029
30		SS-TT15/030	nsp	BELT	BELT SILICON, TRANSPARENT	SS-TT15/030
31	/N1M /T1M	SS-TT15/031	nsp	PULLEY	PULLEY (2 STAGES PULLEY) FOR EU VERSION	SS-TT15/031
36		SS-TT15/036	nsp	CLAMPER	CLEVER CLAMP	SS-TT15/036

NOTE : "nsp" PARTS IS LISTED FOR REFERENCE ONLY, MARANTZ WILL NOT SUPPLY THESE PARTS.