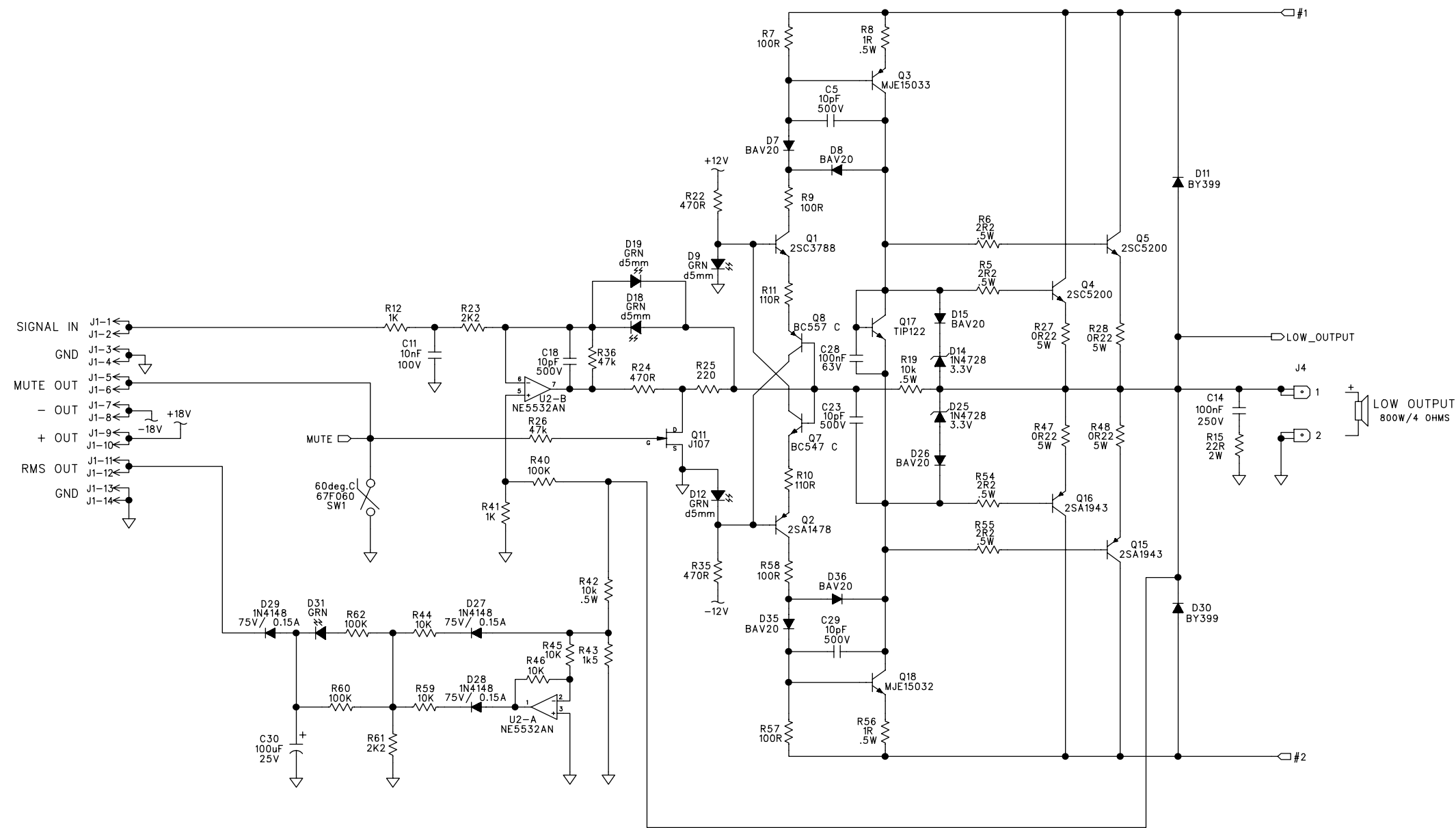
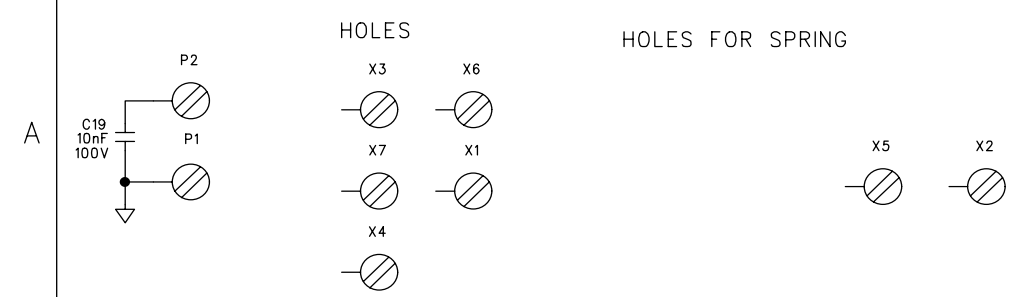
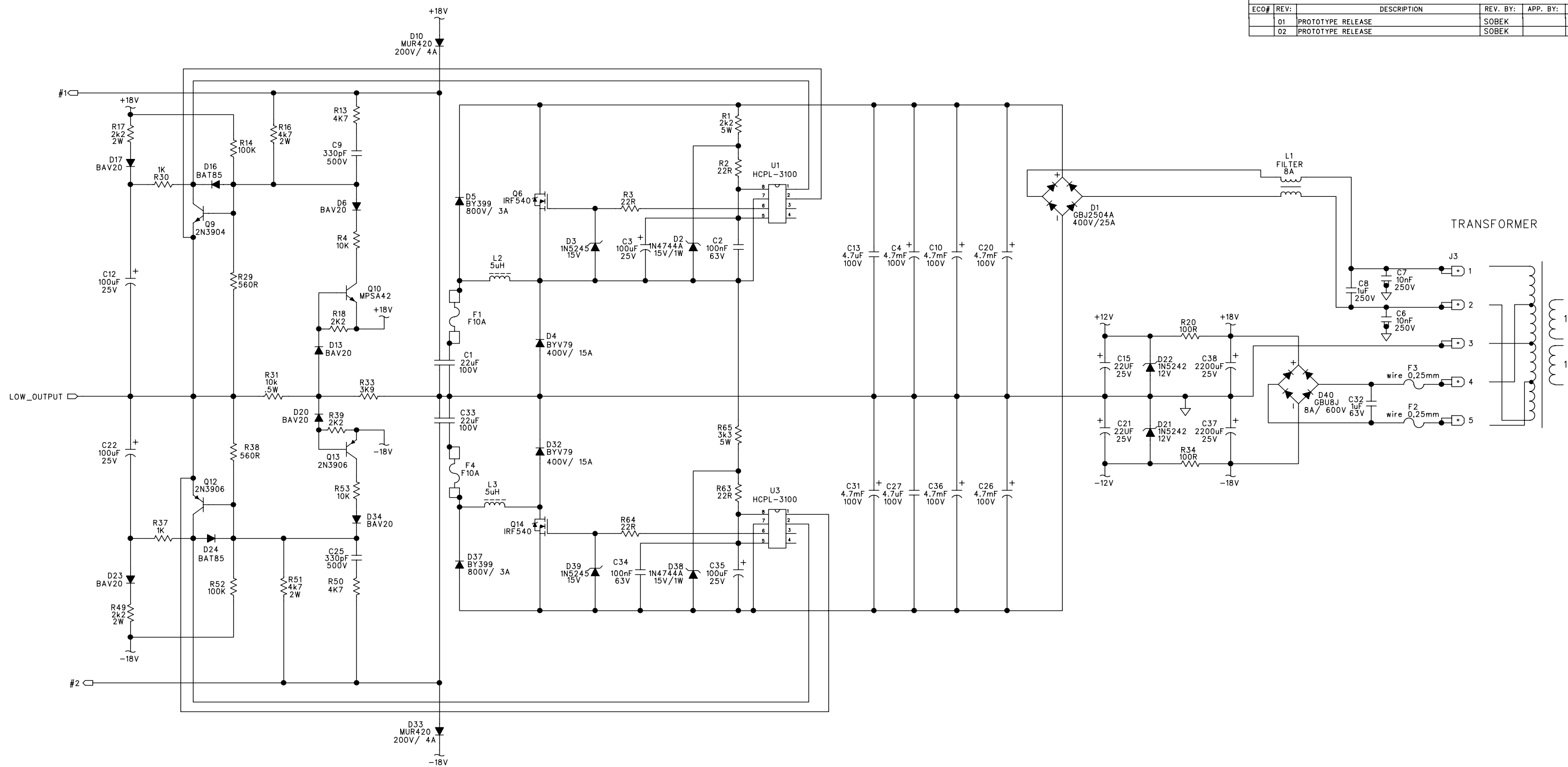


ECO#	REV:	DESCRIPTION	REV. BY:	APP. BY:	DATE
	01	PROTOTYPE RELEASE	SOBEK		16.8.2001
	02	PROTOTYPE RELEASE	SOBEK		26.9.2001

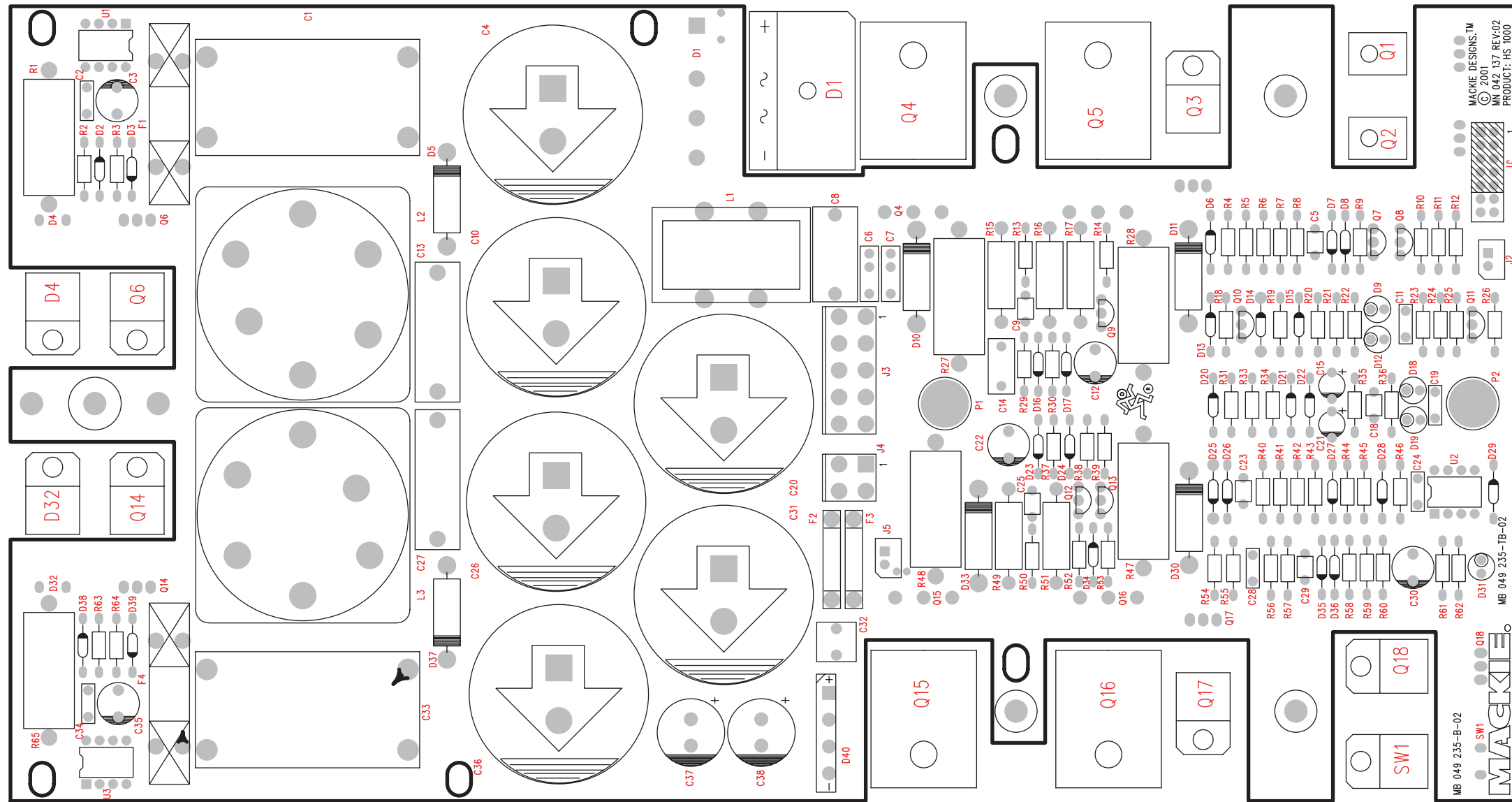


UNLESS OTHERWISE SPECIFIED DIMENSIONS ARE IN INCHES TOLERANCES ARE: FRACTIONS: DECIMALS: ANGLES: ±NA .XX ±.01 ±MA .XXX ±.005	APPROVALS	DATE	<b>MACKIE</b> Mackie Designs Inc. Woodinville, Wa.
	DRAWN: SOBEK	16.8.2001	
MATERIAL: SEE NOTES	CHECKED:		SCHEMATIC, HS 1000
	NP ENG:		
FINISH: SEE NOTES	MATERIAL:		SIZE SCALE: DWG. NO. REV. A3 NONE MN 042 137 02
	MFG:		
DO NOT SCALE DRAWING	ISSUED:		DWG FILE: MN 042 137-02 label 03.sch Label 03 SHEET 1 OF 2

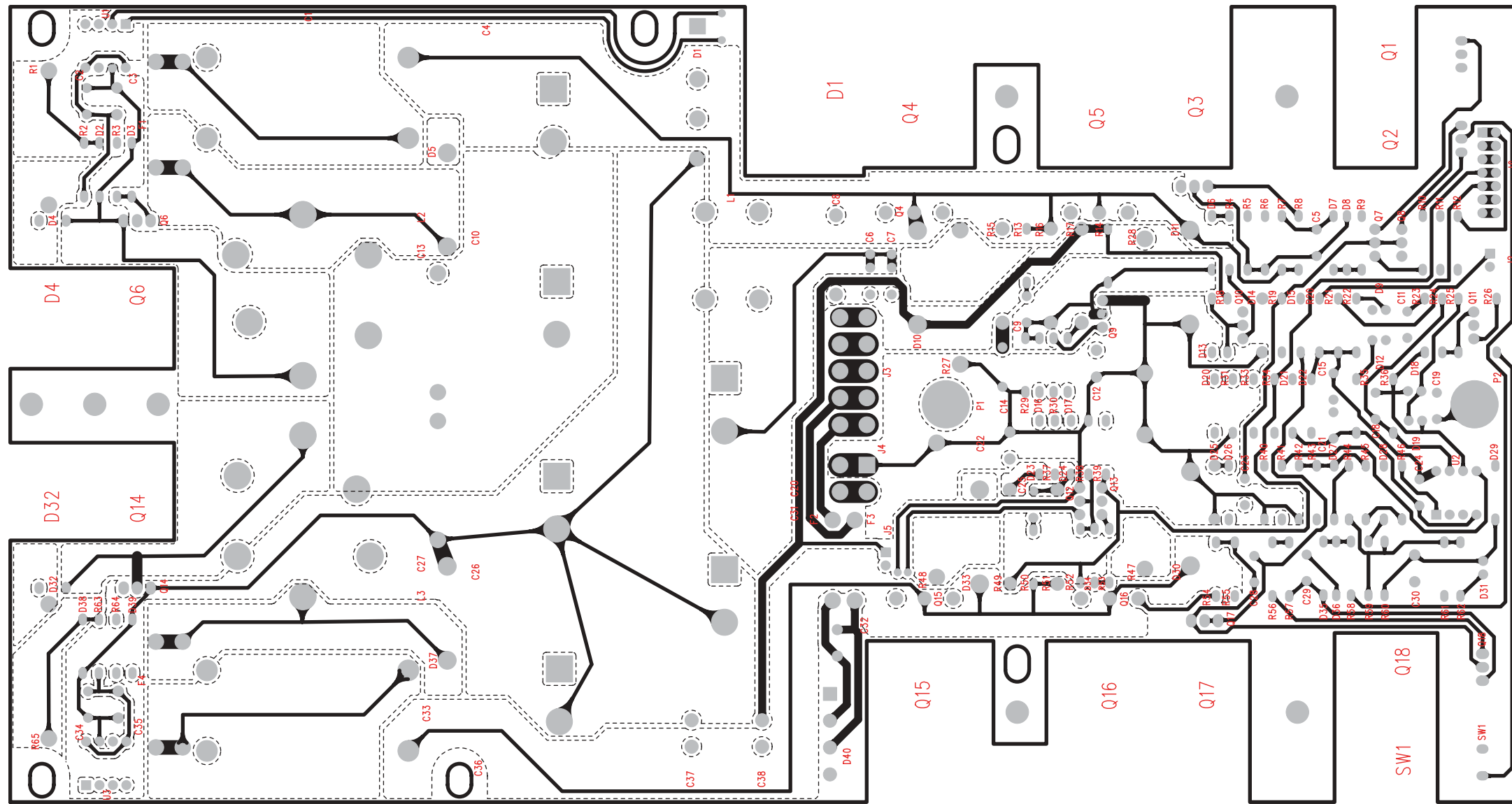
DWG. NO.	MN 042 137	SHT	2	REV:	02	1
ECO#	REV:	DESCRIPTION	REV. BY:	APP. BY:	DATE	
	01	PROTOTYPE RELEASE	SOBEK		16.8.2001	
	02	PROTOTYPE RELEASE	SOBEK		26.9.2001	



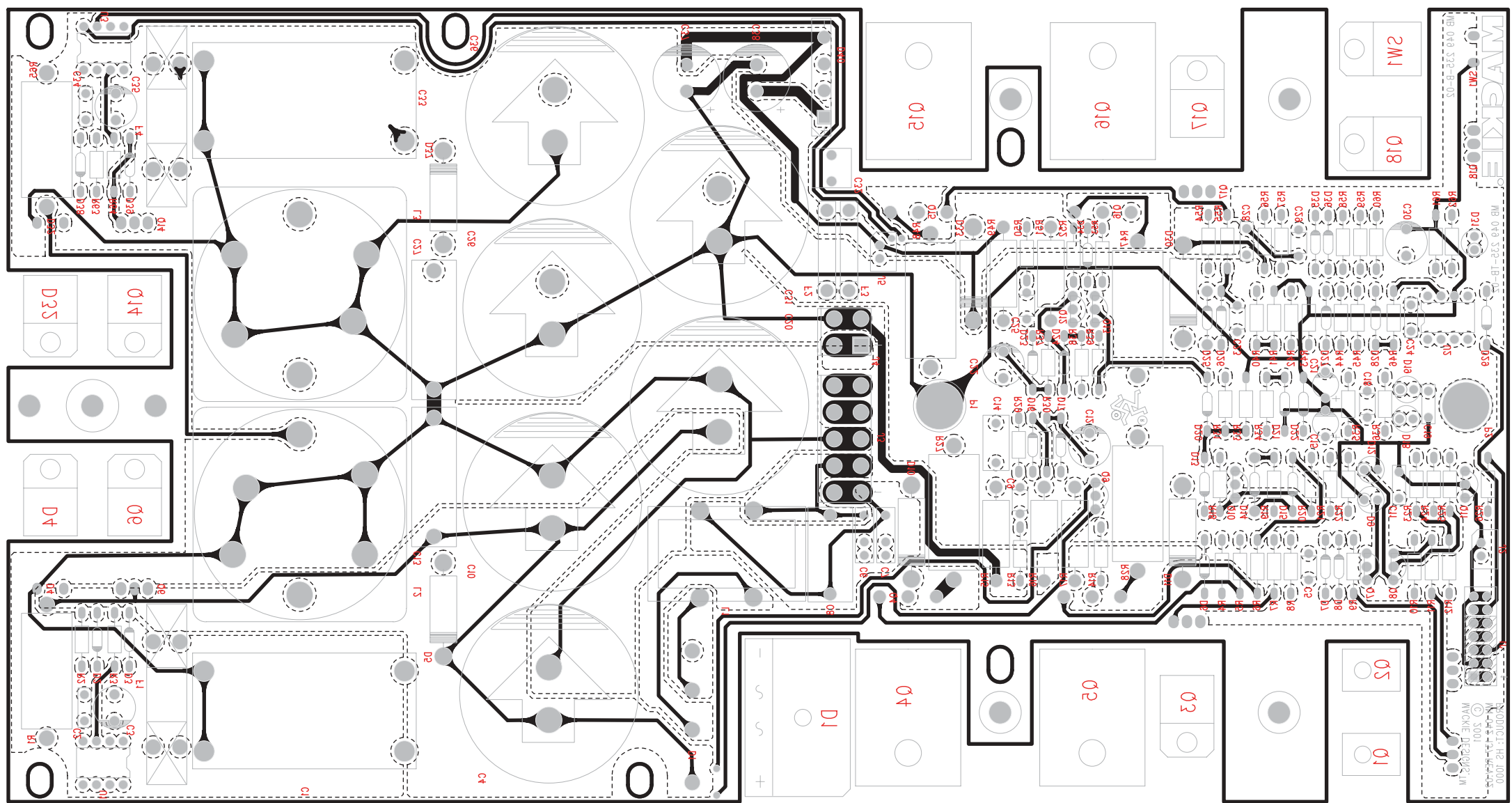
UNLESS OTHERWISE SPECIFIED DIMENSIONS ARE IN INCHES TOLERANCES ARE: FRACTIONS: DECIMALS: ANGLES: ±NA .XX ±.01 ±NA .XXX ±.005	APPROVALS	DATE	 Mackie Designs Inc. Woodinville, Wa.
	DRAWN: SOBEK	16.8.2001	
MATERIAL: SEE NOTES	CHECKED:		SCHEMATIC, HS 1000
	NP ENG:		
FINISH: SEE NOTES	MATERIAL:		SIZE SCALE: DWG. NO. REV. A3 NONE MN 042 137 02
	MFG:		
DO NOT SCALE DRAWING	MFG ENG:		DWG FILE: MN 042 137-02 label 03.sch Label 03 SHEET 2 OF 2
	ISSUED:		



Top view



Top view (dotted line is copper pour layer)



Bottom view (dotted line is copper pour layer)