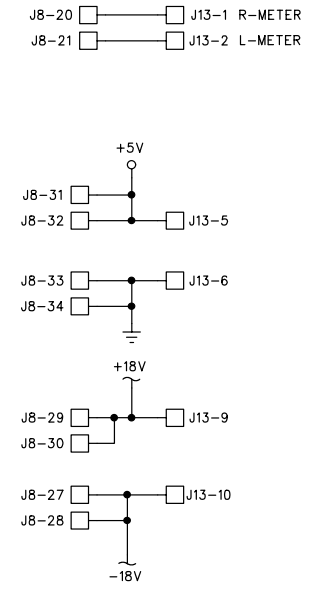
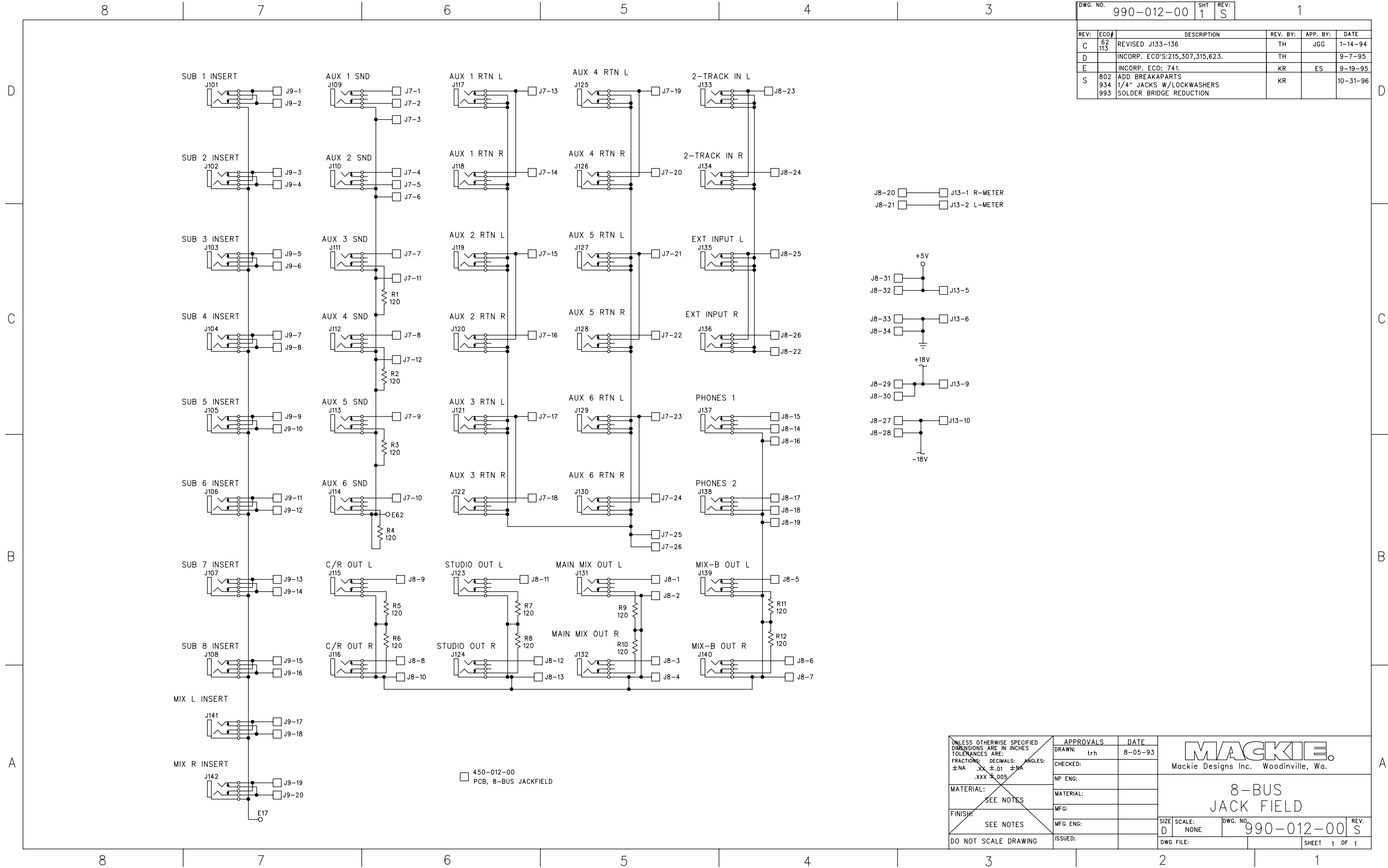


DWG. NO.	990-012-00	SHT	1	REV:	S	1
REV:	ECO#	DESCRIPTION	REV. BY:	APP. BY:	DATE	
C	62 113	REVISED J133-136	TH	JGG	1-14-94	
D		INCORP. ECO'S:215,307,315,623.	TH		9-7-95	
E		INCORP. ECO: 741.	KR	ES	9-19-95	
S	802 934 993	ADD BREAKAPARTS 1/4" JACKS W/LOCKWASHERS SOLDER BRIDGE REDUCTION	KR		10-31-96	



UNLESS OTHERWISE SPECIFIED DIMENSIONS ARE IN INCHES TOLERANCES ARE: FRACTIONS: .XX ±.01 ±.01 DECIMALS: .XXX ±.005 ANGLES: ±NA ±.01 ±.01 MATERIAL: SEE NOTES FINISH: SEE NOTES DO NOT SCALE DRAWING	APPROVALS	DATE	 Mackie Designs Inc. Woodinville, Wa.
	DRAWN: trh	8-05-93	
	CHECKED:		
	NP ENG:		
MATERIAL:	MATERIAL:		8-BUS JACK FIELD
FINISH:	MFG:		
DO NOT SCALE DRAWING	MFG ENG:		SIZE: D
	ISSUED:		SCALE: NONE
			DWG. NO. 990-012-00
			REV. S
			DWG. FILE:
			SHEET 1 OF 1

