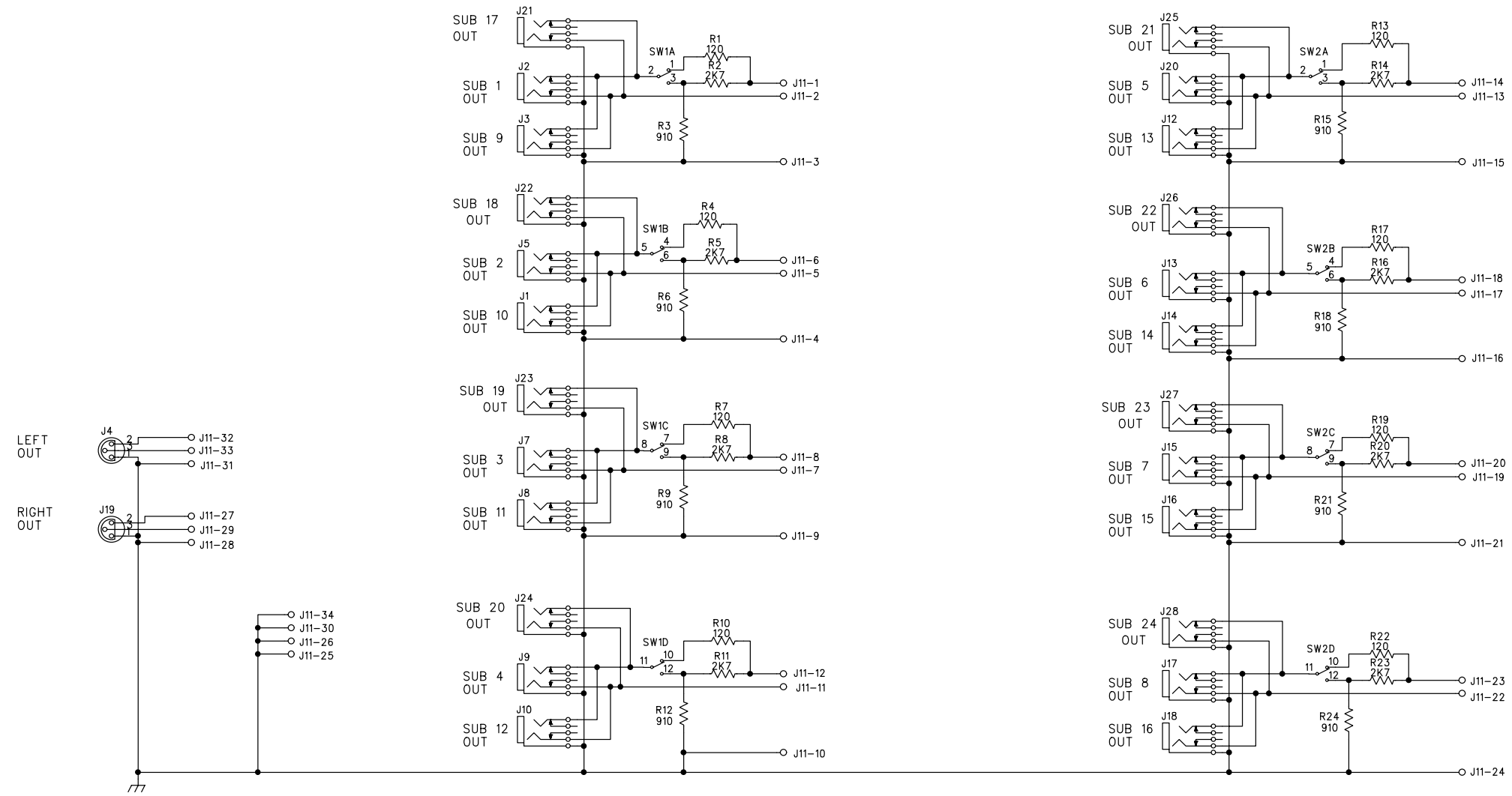


DWG. NO.	990-013-00	SHT	1	REV:	S	1
REV:	ECO#	DESCRIPTION	REV. BY:	APP. BY:	DATE	
B		INCOMP. ECO'S: 215,307,545.	KR	ES	9-6-95	
S	934	1/4" JACKS W/LOCKWASHER	KR		10-30-96	
	993	SOLDER BRIDGE REDUCTION				



- 450-013-00
PCB, 8-BUS TAPE OUT
- 760-003-00
BUTTON SW 9X5 MM
- 760-003-00
BUTTON SW 9X5 MM
- 760-015-00
EXTENDER, SWITCH BUTTON
- 760-015-00
EXTENDER, SWITCH BUTTON

UNLESS OTHERWISE SPECIFIED DIMENSIONS ARE IN INCHES TOLERANCES ARE: FRACTIONS: DECIMALS: ANGLES: ± .xx ± .xxx ±		CONTRACT NO:		MACKIE Mackie Designs Inc. Woodinville, Wa.	
MATERIAL:		APPROVALS	DATE		
FINISH:		DRAWN: trh	6-23-93	SCHEMATIC 8-BUS TAPE OUT	
DO NOT SCALE DRAWING		CHECKED:	ISSUED:		
		ENG:		SIZE	DWG. NO. 990-013-00
		MFG:		SCALE:	REV. S
				SHEET 1	OF 1

J11			
SUB 1 OUT +	1	2	SUB 1 OUT -
SUB 1 OUT GND	3	4	SUB 2 OUT GND
SUB 2 OUT -	5	6	SUB 2 OUT +
SUB 3 OUT -	7	8	SUB 3 OUT +
SUB 3 OUT GND	9	10	SUB 4 OUT GND
SUB 4 OUT -	11	12	SUB 4 OUT +
SUB 5 OUT -	13	14	SUB 5 OUT +
SUB 5 OUT GND	15	16	SUB 6 OUT GND
SUB 6 OUT -	17	18	SUB 6 OUT +
SUB 7 OUT -	19	20	SUB 7 OUT +
SUB 7 OUT GND	21	22	SUB 8 OUT -
SUB 8 OUT GND	23	24	SUB 8 OUT GND
AGND	25	26	AGND
R OUT +	27	28	R OUT GND
R OUT -	29	30	AGND
L OUT GND	31	32	L OUT +
L OUT -	33	34	AGND

