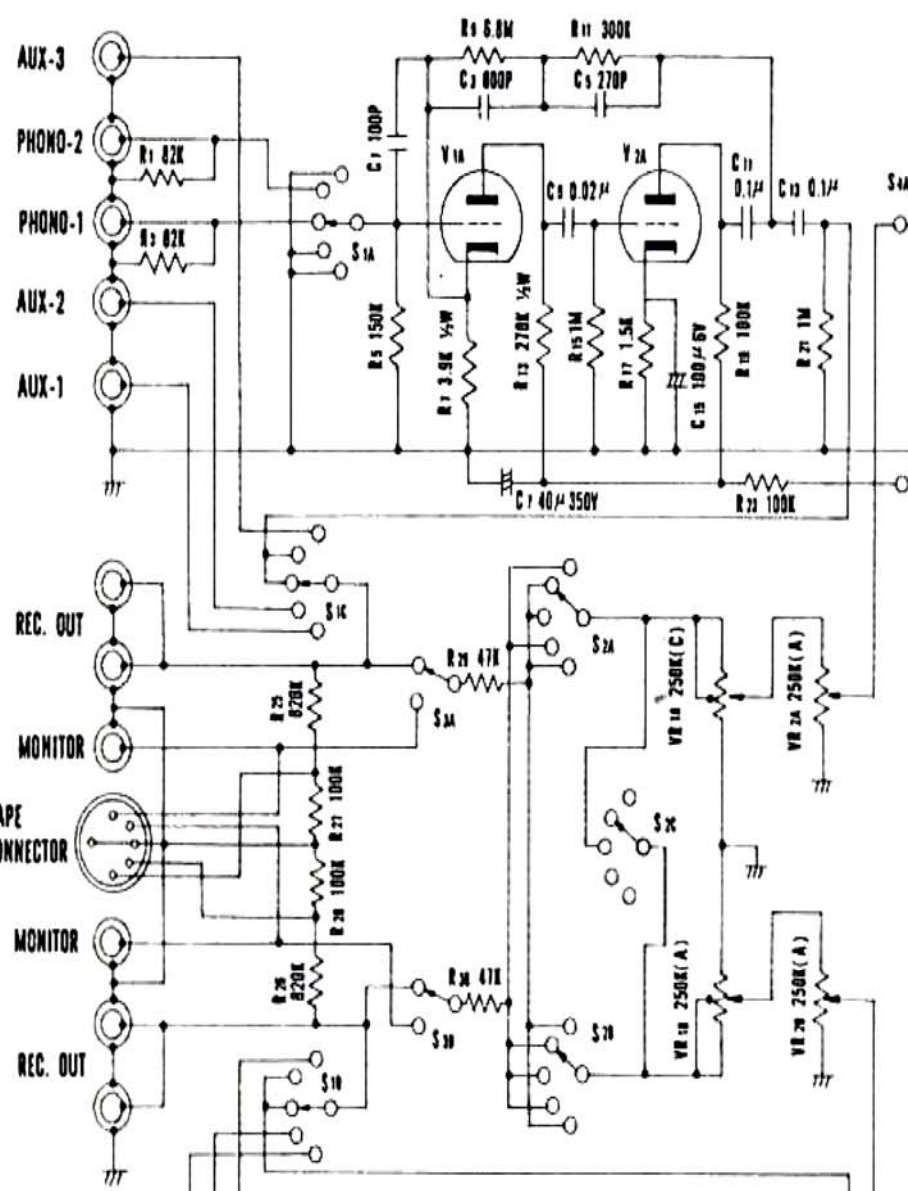
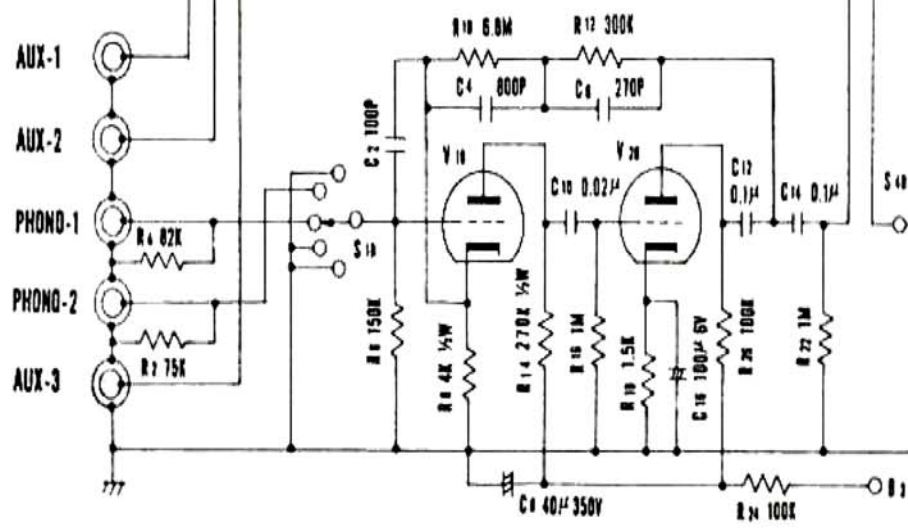


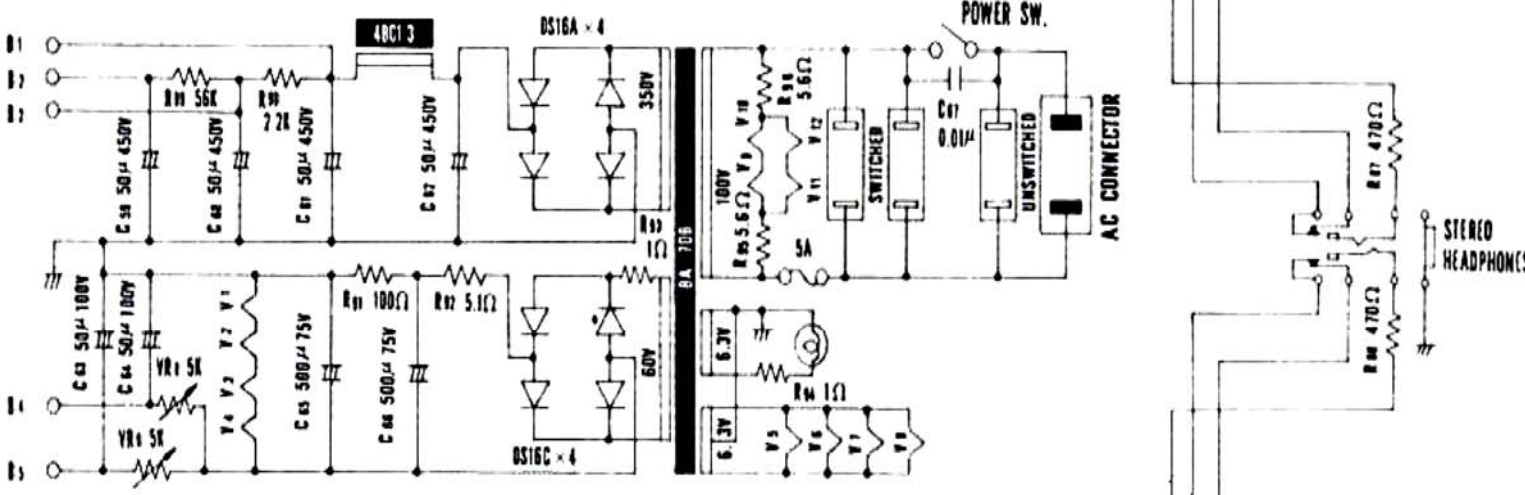
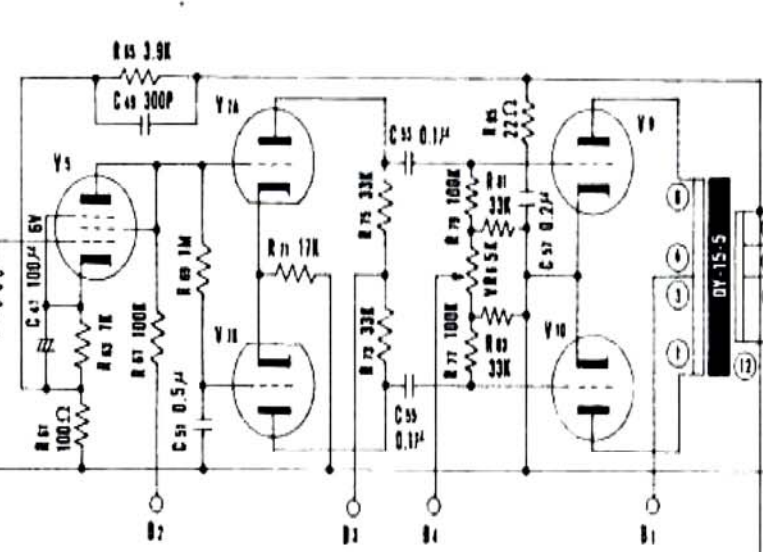
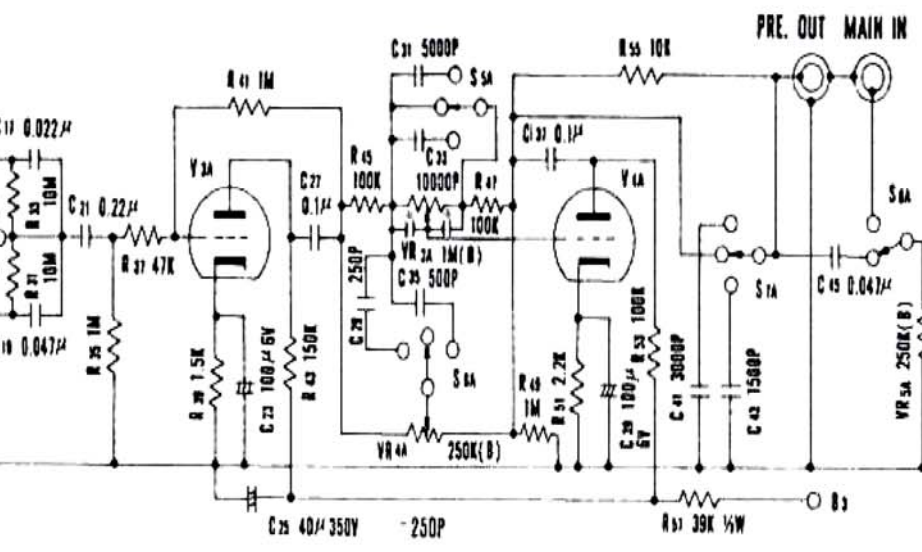
LEFT CHANNEL



RIGHT CHANNEL



- S1A S1B S1C S1D ...FUNCTION
 S2A S2B MODE
 S3A S3B S3C MONITOR
 S4A S4B LOW CUT
 S5A S5B BASS FREQ.
 S6A S6B TREBLE FREQ.
 S7A S7B HIGH CUT
 S8A S8B PRE-MAIN SEPARATE
 S9A S9B SPEAKER IMPEDANCE
 S10A S10B SPEAKER IMPEDANCE
 S11A S11B SPEAKER SW.
 VR1A VR1B BALANCE
 VR2A VR2B VOLUME
 VR3A VR3B BASS CONT.
 VR4A VR4B TREBLE CONT.
 VR5A VR5B MAIN LEVEL
 V1 V2 V3 V4 12AX7
 V5 V6 6287
 V7 V8 6DT8/6AQ8
 V9 V10 V11 V12 ... 50CA10



SQ38FD