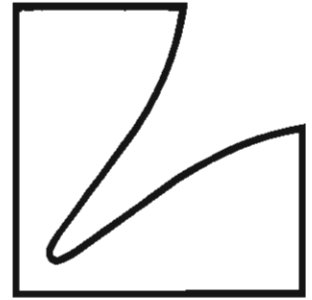


SERVICE MANUAL



Fully-Automatic Belt Drive Turntable

P-405/P-100



Contents

Specifications	2
Parts Layout on P.C. Board	3
Wiring Diagram	3
Schematic Diagram	4
Electrical Parts List	5
Cabinet Assembly Parts List	6 to 8
Exploded View (Cabinet)	9 to 10
Packing Method View	11
Packing Assembly Parts List	12

Specifications

TURNTABLE

Drive System	Belt Drive
Motor	FG Servo DC Motor
Platter	Aluminum Die-cast, 30 cm
Speeds	33 1/3, 45 rpm
Wow & Flutter	0.06% DIN Wtd.
Rumble	72 dB DIN-B Wtd.

TO NEARM

Type	Straight-Line, Tubular, Staticbalanced Anti-Skating
Operation	Fully-Automatic
Effective Length	222 mm
Overhang	16.8 mm
Adjustable Tracking Force	0 – 2.5 g
Usable Cartridge Weight	4.0 – 8.5 g (With sub-cartridge weight)

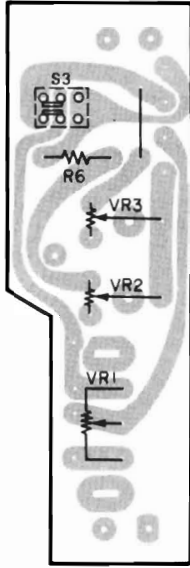
GENERAL

Power Source	120V, 60 Hz 220V, 50 Hz (AD model only)
Power Consumption	4W
Dimensions	416(W) x 120(H) x 376(D) mm (16.4 x 4.7 x 14.2 inches)
Weight	5.3 kg (11 lb. 11 oz.)

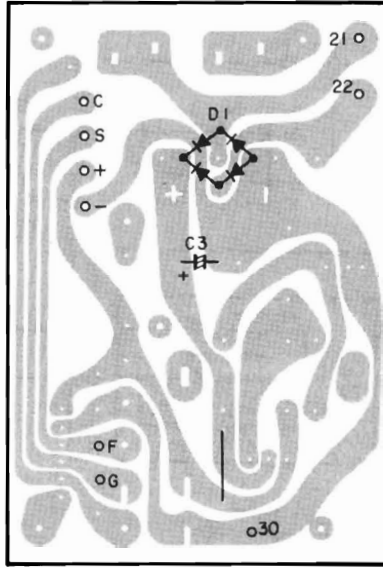
Note: Due to continuing product improvement, specifications and design are subject to change without notice.

Parts Layout on P.C. Boards

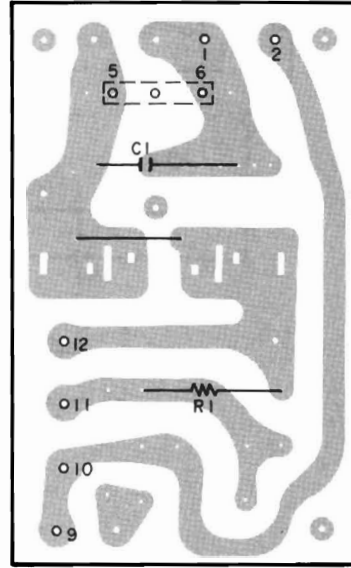
● Speed P.C. Board



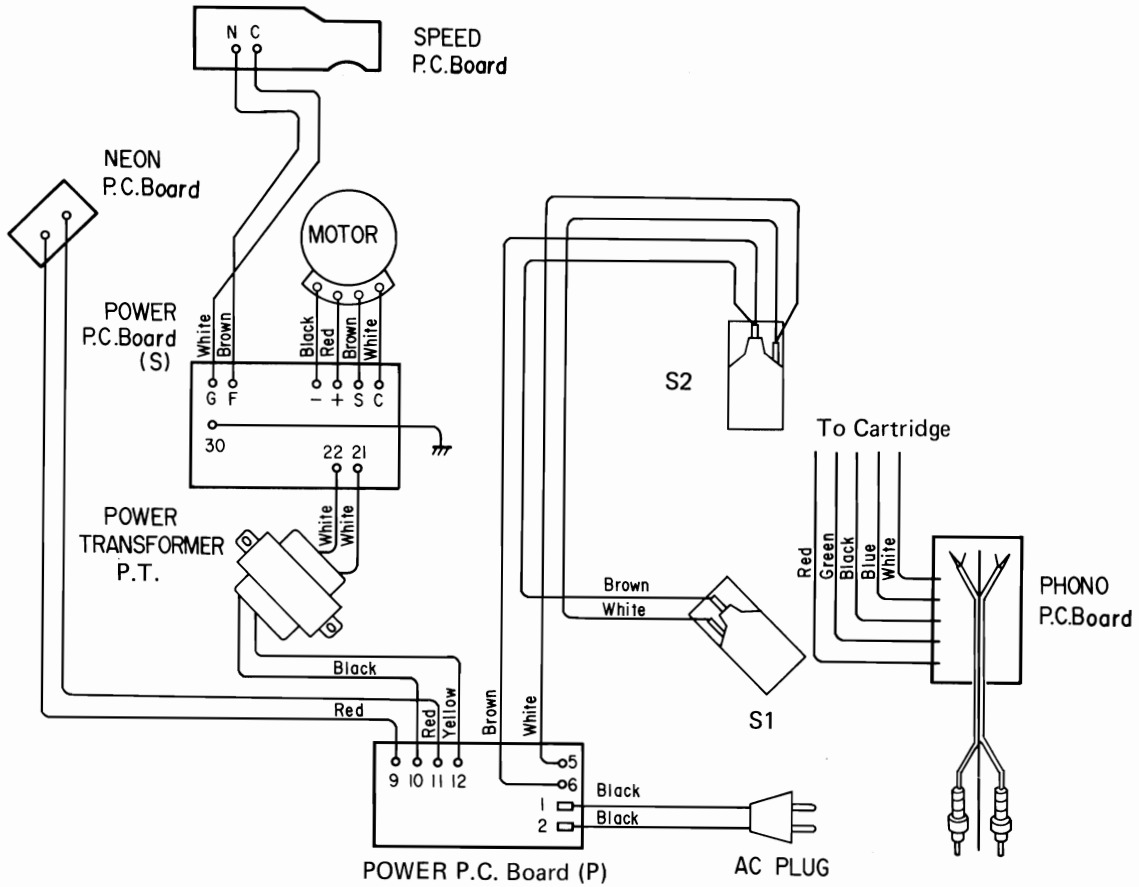
● Power P.C. Board (S)



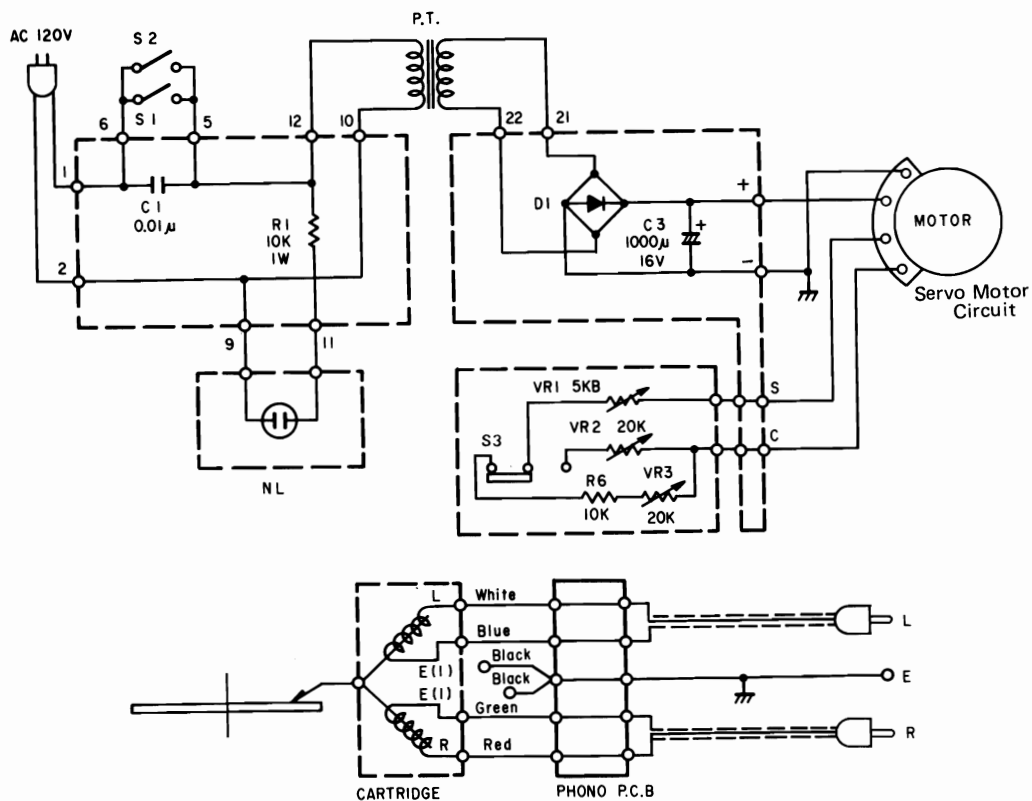
● Power P.C. Board (P)



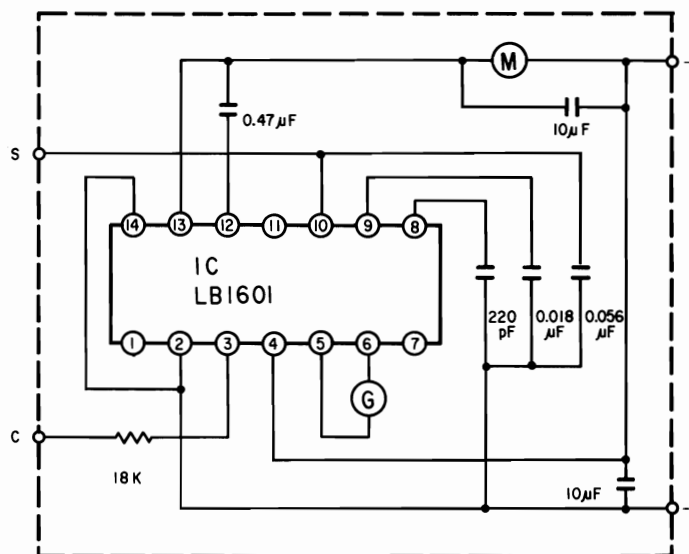
Wiring Diagram



Schematic Diagram



• Servo Controller Circuit



Electrical Parts List

uF = microfarads

Symbol No.	Part No.	Description
★ C1	23E01578S01	Capacitor 0.01 uF
□ C1	23E02207S01	Capacitor 0.01 uF
■ C1	23E01578S01	Capacitor 0.01 uF
★ C3	23E01575S01	Capacitor, Electrolytic 1000 uF/16V
☆ C3	23E02208S01	Capacitor, Electrolytic 1000 uF/16V
D1	48E01576S01	Diode, Bridge
★ R1	06E01577S01	Resistor, Metal Oxide Film 10K ohm 1W
□ R1	06E02206S01	Resistor, Metal Oxide Film 8K ohm 1W
■ R1	06E01577S01	Resistor, Metal Oxide Film 10K ohm 1W
R6	06E01846S01	Resistor, Carbon 10K ohm 1/4W
S3	40E01574S01	Switch, Push 1 Key
VR1	18E01579S01	Resistor, Variable 5K ohm B
VR2	18E01580S01	Resistor, Semi-fixed 20K ohm B
VR3	18E01580S01	Resistor, Semi-fixed 20K ohm B

Symbol No.	Part No.	Description
------------	----------	-------------

Note: ★ : For P-405 model only [▲ : For Canadian model only (UQ) ☆ : For P-100 model only [■ : For North American model only (UC)
 □ : For West Germany model only (AD) ● : For North American model only (UC)

Cabinet Assembly Parts List

NOTE: The parts without part number are not supplied.

Symbol No.	Index	Part No.	Description
★	2	6-D 64E01528S01	Panel, Front
☆	2	6-D 64E02195S01	Panel, Front
★	3	5-C 36E01529S01	Knob, Cue/Repeat
☆	3	5-C 36E02168S01	Knob, Cue/Repeat
★	4	6-D 36E01530S01	Knob, Speed
☆	4	6-D 36E02169S01	Knob, Speed
★	5	5-D 36E01531S01	Knob, Size, Select
☆	5	5-D 36E02170S01	Knob, Size, Select
	6	5-D 41E01532S01	Spring
	7	3-E 07E01533S01	Hinge
	8	4-E 07E01534S01	Hinge
	10	5-F 45E01535S01	Arm
	11	5-F 45E01536S01	Arm
	12	5-E 45E01537S01	Arm
	13		47E01648S01 Shaft
	14		40E01538S01 Switch, Push 1 Key (0)
	15		22E01539S01 Pin
★	16	5-D 36E01540S01	Knob, Pitch Control
☆	16	5-D 36E02171S01	Knob, Pitch, Control
★	18	4-A 15E00679S01	Cover, Dust
☆	18	4-A 15E02174S01	Cover, Dust
★	19	5-D 36E01541S01	Knob, Start/Stop
☆	19	5-D 36E02172S01	Knob, Start/Stop
	20		43E00680S01 Pad, Lid
	21	2-A 07E01397S01	Hinge, Dust Cover
	24	6-A 43E01651S01	Bushing
●	25	5-B 43E01649S01	Bushing, AC Cord
▲	25	5-B 43E01650S01	Bushing, AC Cord
□	25	5-B 43E02270S01	Bushing, AC Cord
■	25	5-B 43E01649S01	Bushing, AC Cord
	26	1-H 75E01542S01	Leg
	27	1-H 75E01543S01	Cushion
	28	1-H 41E01544S01	Spring, Mounting
	29	1-H 75E01545S01	Cushion
	30	4-B 61E01546S01	Filter
	31	4-E 41E01547S01	Spring
	32	2-C 45E00685S01	Assembly, Arm Rest
★	34	1-C 01E01548S01	Base, Pick Up
☆	34	1-C 01E02196S01	Base, Pick Up
★	35	2-C 45E01549S01	Arm Rest
☆	35	2-C 45E02175S01	Arm Rest

Symbol No.	Index	Part No.	Description
★	36	4-C 75E01550S01	Turntable Platter
☆	36	4-C 75E02197S01	Turntable Platter
	37	1-A 45E01551S01	Support, Arm
	38	1-A 75E01552S01	Cushion
	39	1-B 47E01553S01	Spindle, Lifting
	40	1-B 03E01554S01	Screw
	41	2-C 41E01556S01	Spring
	42	1-B 45E01557S01	Actuator
★	43	1-B 36E01558S01	Knob, IFC
☆	43	1-B 36E02173S01	Knob, IFC
	44	1-C 07E01559S01	Holder
	45	2-F 45E01652S01	Arm
	46		03E01658S01 Screw
	47	4-E 47E01663S01	Rod
	48	2-F 41E01669S01	Spring
	49	4-C 75E01810S01	Rubber Cushion
	50	4-C 03E01659F01	Screw
	51	2-E 07E01811S01	Angle Mount
	52	4-F 01E01812S01	Assembly, Lever Set
	53	4-F 37E01816S01	UL Tube
	54	4-F 47E01817S01	Shaft
	55	4-F 41E01670S01	Spring
	56	2-G 01E01813S01	Assembly, Lever Set
	57	3-G 03E01660S01	Screw
	58		04E01819S01 Wave Washer
	59	3-F 01E01814S01	Assembly, Lever Set
	60		45E01822S01 Cam
	61	3-F 43E01830S01	Spacer
	62	2-G 03E01661S01	Screw
	63	3-G 33E01824S01	Plate
	64	6-G 45E01560S01	Assembly, Cam Drive
★	65	5-F 43E01561S01	Collar
☆	65	5-F 04E02271S01	Washer (M3.2)
	66	6-G 22E01829S01	Pin
	67	6-G 44E01562S01	Gear, Cycling
	68	5-F 45E01564F01	Trip
	69	5-F 45E01564S01	Trip
	70	6-G 41E01670S01	Spring
	72	1-E 01E01815S01	Assembly, Lever Set
	73	1-E 47E01654S01	Shaft
	74	1-D 08E01831S01	Cap, Lifter

Note: ★ : For P-405 model only ▲ : For Canadian model only (UQ) ☆ : For P-100 model only ■ : For North American model only (UC)
 ☆ : For North American model only (UC) □ : For West Germany model only (AD)

NOTE: The parts without part number are not supplied.

Symbol No.	Index	Part No.	Description
75	2-D	47E01655S01	Shaft
76	1-E	41E01671S01	Spring
77	1-D	43E01832S01	Bearing
78	2-E	47E01656S01	Shaft
79	1-E	47E01657S01	Shaft
80	1-D	41E01672S01	Spring
81	3-G	04E01820S01	Washer
82	3-F	33E01825S01	Plate
83	4-F	47E01664S01	Rod
84	3-G	47E01665S01	Rod
85	3-G	59E01833S01	Magnet
86	3-F	75E01834S01	Cushion
87	1-G	33E01826S01	Assembly, PU Fix Plate
88	1-F	45E01823S01	Cam
89	1-F	41E01673S01	Spring
90		03E01662S01	Screw (M4 x 5)
91	2-G	33E01827S01	Plate
92	2-F	41E01674S01	Spring
93	4-G	47E01666S01	Rod
94		47E01667S01	Rod
95	5-H	47E01668S01	Rod
96		41E01675S01	Spring
97	3-E	45E01836S01	Lever
98	5-G	45E01837S01	Lever
99	5-H	41E01676S01	Spring
100	1-F	45E01838S01	Arm
101		01E01565S01	Assembly, Tone Arm
101-1	2-B	45E01839S01	Assembly, Arm
101-2	2-B	01E00819S02	Assembly, Head Shell
101-3	1-B	01E01468S01	Assembly, Weight
107	2-F	02E01840S01	Nut (M12)
109	2-F	04E01821S01	Washer (ϕ 12)
110		75E01835S01	Cushion
★	5-A	30E01566S01	Assembly, Shield Wire
□	5-A	30E02198S01	Assembly, Shield Wire
■	5-A	30E01566S01	Assembly, Shield Wire
★	5-C	01E01841S01	Assembly, Cord
□	5-C	30E2199S01	Assembly, Cord
■	5-C	01E01841S01	Assembly, Cord
113	4-G	40E01567S01	Switch, Micro
114	2-G	40E01568S01	Switch, Micro
●	5-A	28E01569S01	Power Cord
▲	5-A	28E01843S01	Power Cord
□	5-A	28E02200S01	Power Cord
■	5-A	28E01569S01	Power Cord
116	4-E	59E01570S01	Motor

Symbol No.	Index	Part No.	Description	
★	117	6-B	25E01571S01	Power Trans
□	117	6-B	25E02201S01	Power Trans
■	117	6-B	25E01571S01	Power Trans
118	1-E	15E01844S01	Cover, Shield	
119	1-E	41E01845S01	P.C. Board	
★	121	4-C	65E01572S01	Neon Lamp
□	121	4-C	65E02202S01	Neon Lamp
■	121	4-C	65E01572S01	Neon Lamp
123	5-B	09E01573S01	Plug, 3P	
125	6-C	01E01842S01	Assembly, Cord	
128	4-C	42E01582S01	Belt	
129	3-E	47E01818S01	Assembly, Shaft T.T.	
130	4-E	49E01583S01	Pulley, Motor	
★	131	4-B	75E01398S01	Turntable Sheet
□	131	4-B	75E2211S01	Turntable Sheet
■	131	4-B	75E01398S01	Turntable Sheet
132	2-C	45E01584S01	45 rpm Adapter	
★	133	6-C	64E01586S01	Panel, Control
☆	133	6-C	64E02209S01	Panel, Control
134	4-D	33E01828S01	Plate	
135	1-C	75E01849S01	Pad	
201	1-D	03E01853S01	Brazier Head Tapping Screw (ϕ 2.6 x 6)	
202		03E01854S01	Brazier Head Tapping Screw B (ϕ 3 x 6)	
203		03E01855S01	Brazier Head Tapping Screw B (ϕ 3 x 8)	
204		03E01856S01	Brazier Head Tapping Screw B (ϕ 3 x 10)	
205	6-C	03E01857S01	Brazier Head Tapping Screw B (ϕ 3 x 12)	
206	2-C	03E01858S01	Brazier Head Tapping Screw B (ϕ 3 x 12)	
207	1-H	03E01585S01	Brazier Head Tapping Screw B (ϕ 3 x 16)	
208	4-D	03E01875S01	Brazier Head Tapping Screw B with Plain Washer (ϕ 3 x 8)	
209	2-D	03E01876S01	Brazier Head Tapping Screw B with Plain Washer (ϕ 3 x 10)	
210	5-E	03E01877S01	Brazier Head Tapping Screw B with Plain Washer (ϕ 3 x 12)	
211		03E01859S01	Brazier Head Tapping Screw B (ϕ 2.6 x 6)	
212	1-G	03E01860S01	Pan Head Screw (M3 x 4)	

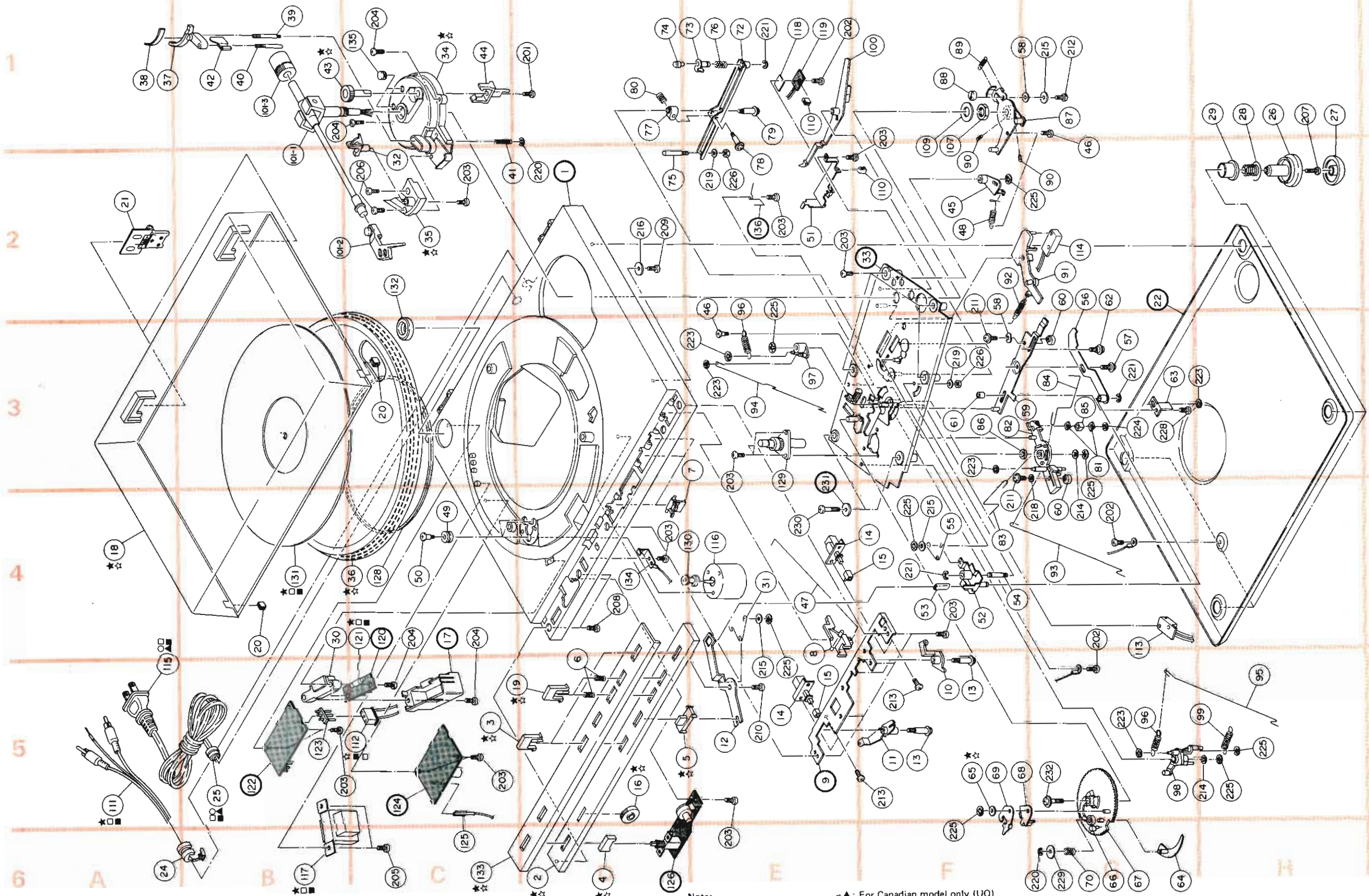
Note: ★ : For P-405 model only □ : For Canadian model only (UQ) ☆ : For P-100 model only □ : For North American model only (UC)
 ● : For North American model only (UC) ▲ : For West Germany model only (AD)

NOTE: The parts without part number are not supplied.

Symbol No.	Index	Part No.	Description
213		03E01878S01	Pan Head Screw with Spring Washer (M3 x 6)
214	5-H	04E01862S01	Plain Washer (ϕ 3.2)
215		04E01863S01	Plain Washer (ϕ 3.2)
216	2-D	04E01864S01	Plain Washer (ϕ 3.2)
218	4-G	04E01866S01	Spring Washer (ϕ 2.6)
219		04E01867S01	Spring Washer (ϕ 3)
220		04E01868S01	E Type Washer (ϕ 2)
221		04E01869S01	E Type Washer (ϕ 3)
223		46E01870S01	Stop Ring (ϕ 2)
224	3-G	46E01871S01	Stop Ring (ϕ 2.4)
225		46E01873S01	Stop Ring (ϕ 3)
226		02E01874S01	Hexagon Nut (M3)
228	3-G	03E01879S01	Pan Head Tapping Screw with Spring Washer (ϕ 3 x 10)
229	6-G	04E01865S01	Plain Washer (ϕ 3.2)
230	4-E	03E01861S01	Pan Head Tapping Screw B (ϕ 3 x 4)

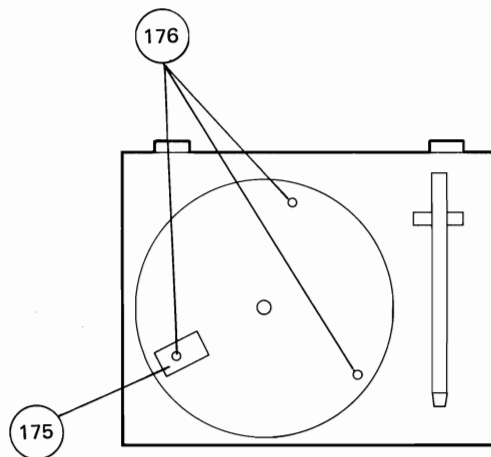
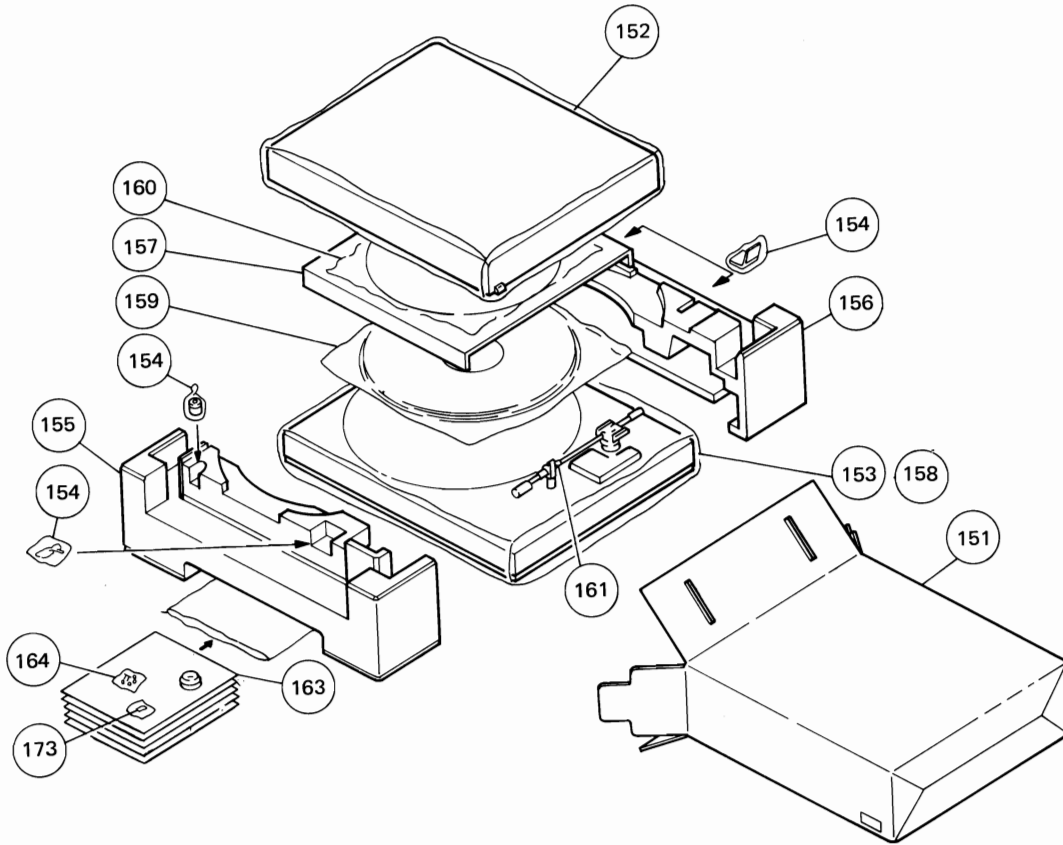
Symbol No.	Part No.	Description

Exploded View (Cabinet)



Note: ★ : For P-405 model only ▲ : For Canadian model only (UQ)
 ● : For North American model only (UC)
 ☆ : For P-100 model only ■ : For North American model only (UC)
 □ : For West Germany model only (AD)

Packing Method View





LUX CORPORATION, JAPAN

2-3, 1-Chome, Minami-Yukigaya, Ohta-ku, Tokyo 145, JAPAN
Phone: 03-726-6211 Telex: 2466953LUXMAN Facsimile: 03-728-7609