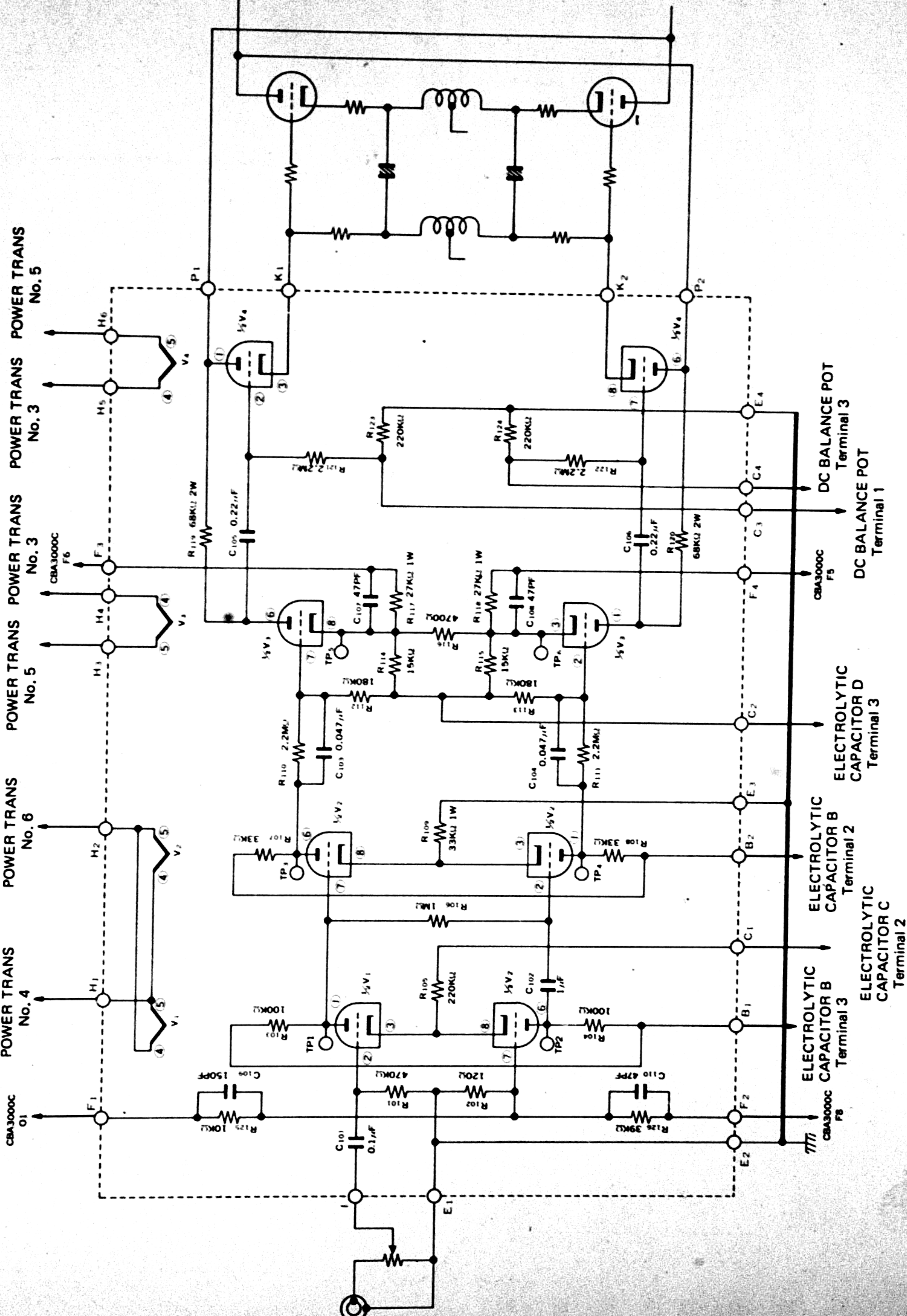


POWER TRANS No. 4 POWER TRANS No. 6 POWER TRANS No. 5 POWER TRANS No. 3 POWER TRANS No. 5 POWER TRANS No. 3



ELECTROLYTIC CAPACITOR B Terminal 3
 CBA3000C F8
 ELECTROLYTIC CAPACITOR C Terminal 2
 ELECTROLYTIC CAPACITOR B Terminal 2
 ELECTROLYTIC CAPACITOR D Terminal 3
 CBA3000C F5
 DC BALANCE POT Terminal 1
 DC BALANCE POT Terminal 3