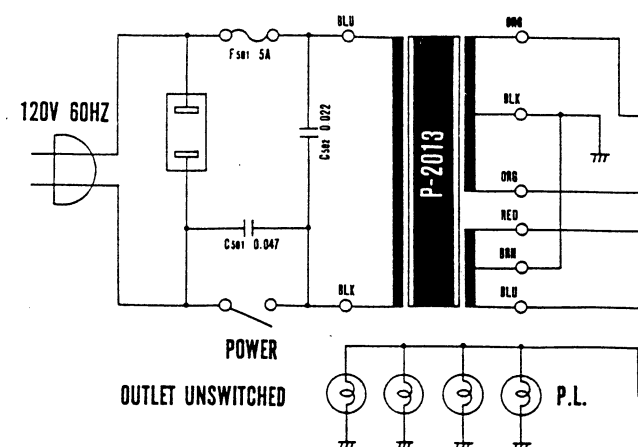


- Q 101, 102, 201, 202 2SA931
- Q 103, 104, 106, 107 2SC1940
- Q 203, 204, 206, 207
- Q 105, 205 2SA915
- Q 108, 208 2SC372
- Q 109, 209 2SC1431
- Q 110, 210 2SA762
- Q 111, 211 2SC1079 = 2SC1116
- Q 112, 212 2SA679 = SA747
- Q 301, 302, 303 2SC945
- Q 303 2SA733
- Q 305 2SC496
- Q 306, 307 PC1016C
- S 501 METER RANGE(PUSH-10db)
- S 502 PEAK METER(PUSH OPERATE)
- S 503 a, 503 b, 503 c, 503 d SPEAKERS(1.OFF,2.MAIN,
3.REMOTE,4.MAIN & REMOTE)



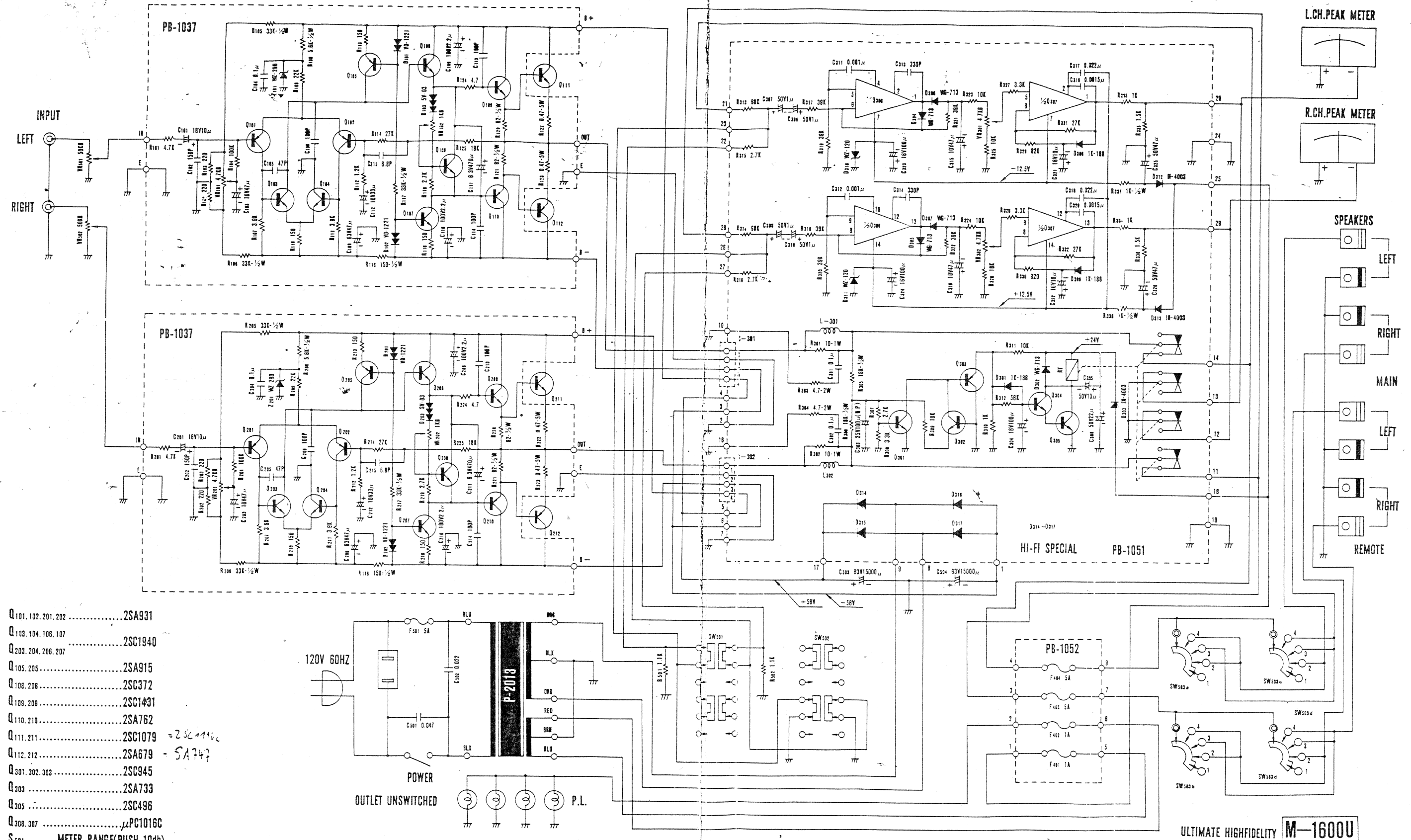
1. Unless otherwise specified, all resistors are in ohm 1/4 watt, all capacitors are in farad.

2. Transistors, IC's and diodes may be replaced with any types having comparable rating.

3. Due to continued research for improvements, LUX reserve the right to alter the circuit and specification without notice.

ULTIMATE HIGH FIDELITY **M-1600U**

Luxman



- Q 101, 102, 201, 202 2SA931
- Q 103, 104, 106, 107 2SC1940
- Q 203, 204, 206, 207
- Q 105, 205 2SA915
- Q 108, 208 2SC372
- Q 109, 209 2SC1431
- Q 110, 210 2SA762
- Q 111, 211 2SC1079 = 2SC1116
- Q 112, 212 2SA679 = SA747
- Q 301, 302, 303 2SC945
- Q 303 2SA733
- Q 305 2SC496
- Q 308, 307 PC1016C
- S 501 METER RANGE(PUSH-10db)
- S 502 PEAK METER(PUSH OPERATE)
- S 503 a, 503 b, 503 c, 503 d SPEAKERS(1.OFF,2.MAIN,
3.REMOTE,4.MAIN & REMOTE)

1. Unless otherwise specified, all resistors are in ohm 1/4 watt, all capacitors are in farad.

2. Transistors, IC's and diodes may be replaced with any types having comparable rating.

3. Due to continued research for improvements, LUX reserve the right to alter the circuit and specification without notice.

luxman

ULTIMATE HIGH FIDELITY **M-1600U**