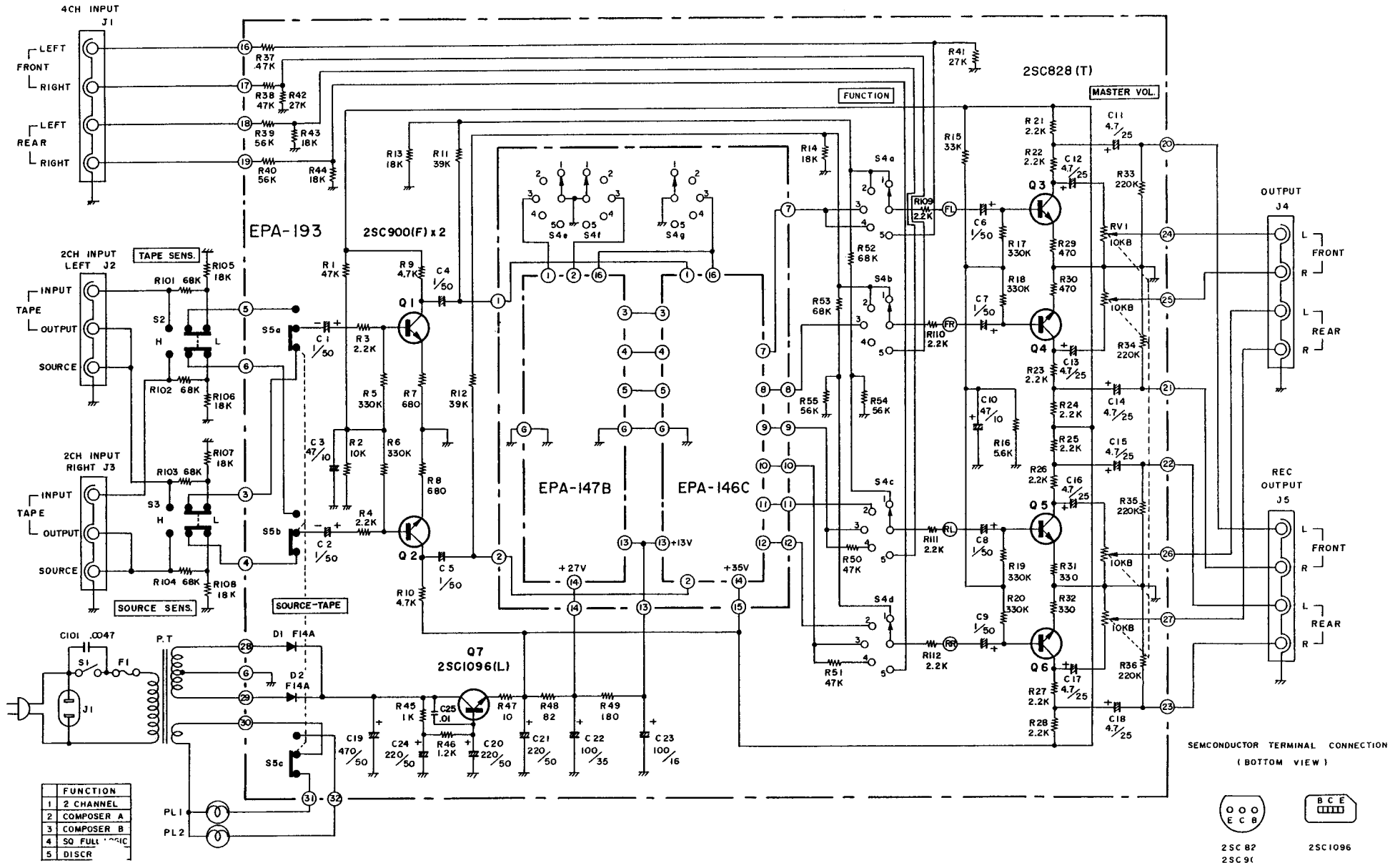
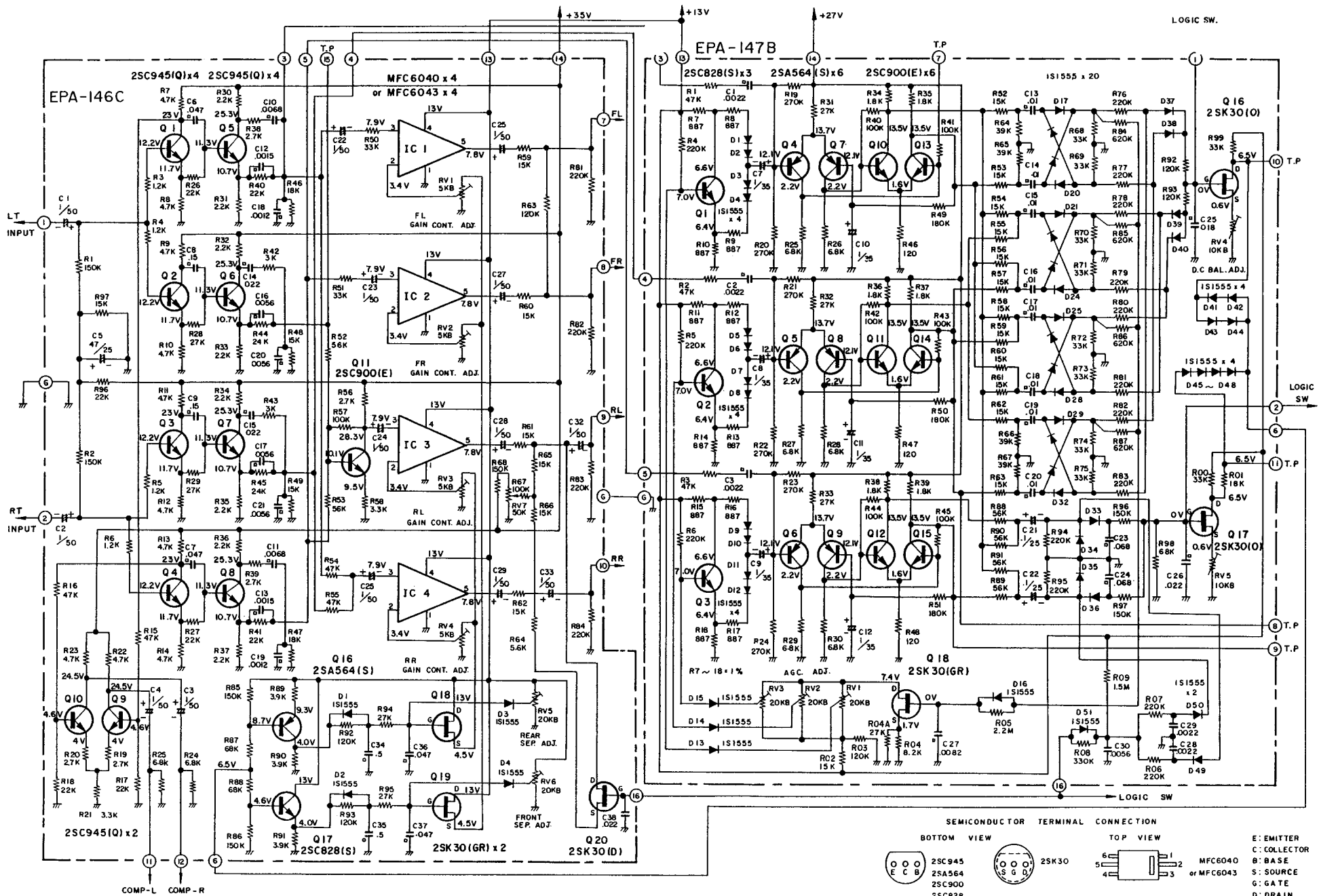


SCHEMATIC DIAGRAM OF MODEL SQ-W





Lafayette RADIO
ELECTRONICS
CORPORATION

111 Jericho Turnpike, Syosset, L.I., New York 11791

Printed in Japan