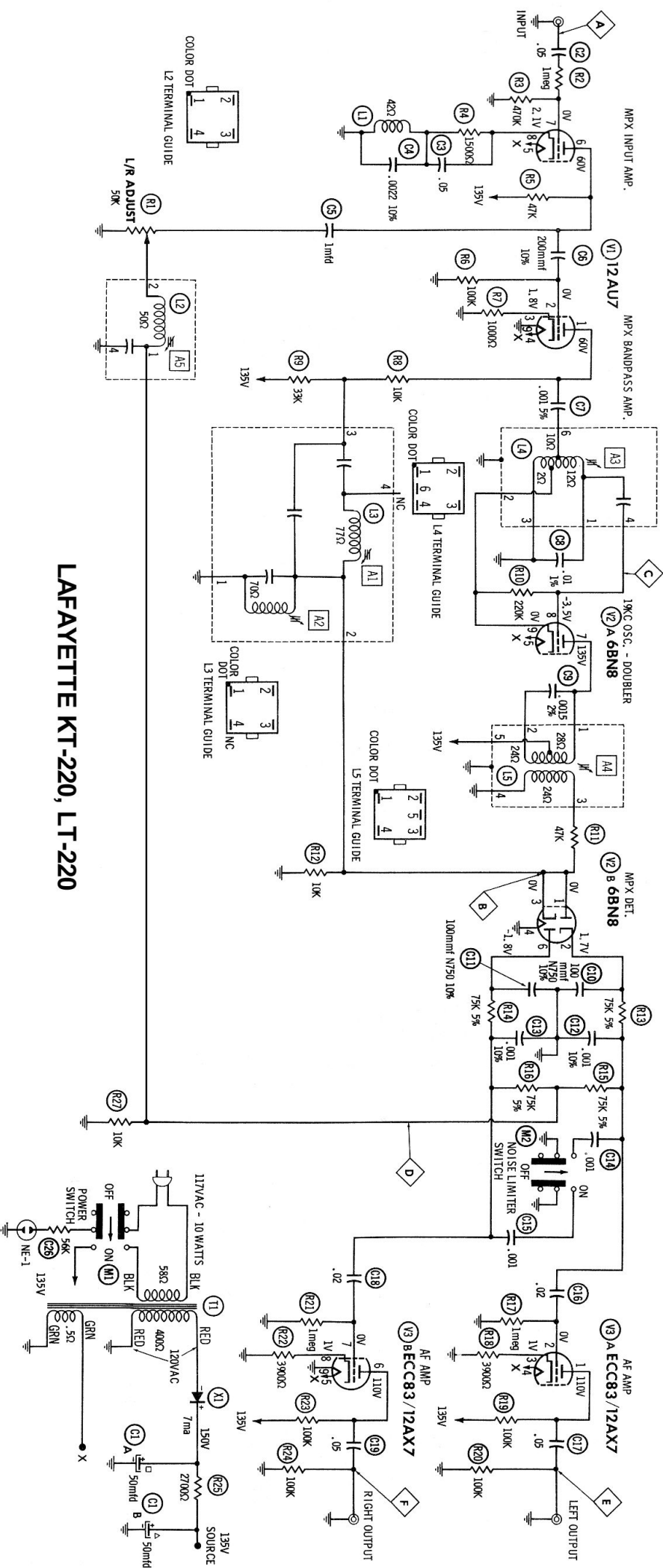
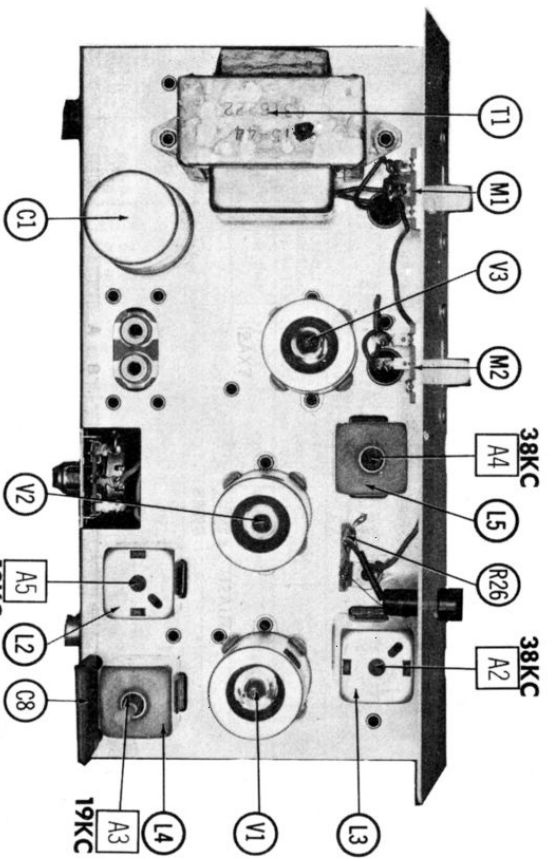


LAFAYETTE KT-220, LT-220





Lafayette KT-220, LT-2220

FM STEREO MULTIPLEX ALIGNMENT USING FM STEREO SIGNAL GENERATOR ($\pm .0001\%$) ACCURACY)

Connect high side of generator to point **A**, low side to ground.

GENERATOR FREQUENCY	INDICATOR	ADJUST	REMARKS
1. 67KC	Vert. amp. of Scope thru a 1 meg to point B ; low side to ground.	A1	Adjust for MINIMUM.
2. 38KC	Vert. amp. of Scope thru a 1 meg to point B ; low side to ground.	A2	Adjust for MINIMUM.
3. 19KC	Vert. amp. thru 47K to point C ; low side to ground.	A3	Adjust for maximum.
4. "	Vert. amp. thru 47K to point B ; low side to ground.	A4	Adjust maximum for 38KC response.
5. "	Vert. amp. thru 47K to point D ; low side to ground.	A5	Adjust for MINIMUM .
6. Modulated Left Channel	Vert. amp. to point F ; low side to ground.	R1	Adjust for MINIMUM. If necessary retouch A3
7. Modulated Right Channel	Vert. amp. to point E ; low side to ground.		Check for MINIMUM. Make compromise adjustment of R1 & A3 if necessary.

To align multiplex section using an air signal, first make sure FM section is properly aligned. Tune in a strong FM stereo signal. Follow steps 1 thru 7 above except in step 1 adjust to eliminate whistle or interference.