

# KRELL KMA 160 OUTPUT STAGE

Q1,2: VNO210N5

Q3,4: VP0210N5

Q5,6: 2SA968

Q7,8: 2SC2238

Q9,12: MJE15031

Q10,11: MJE15030

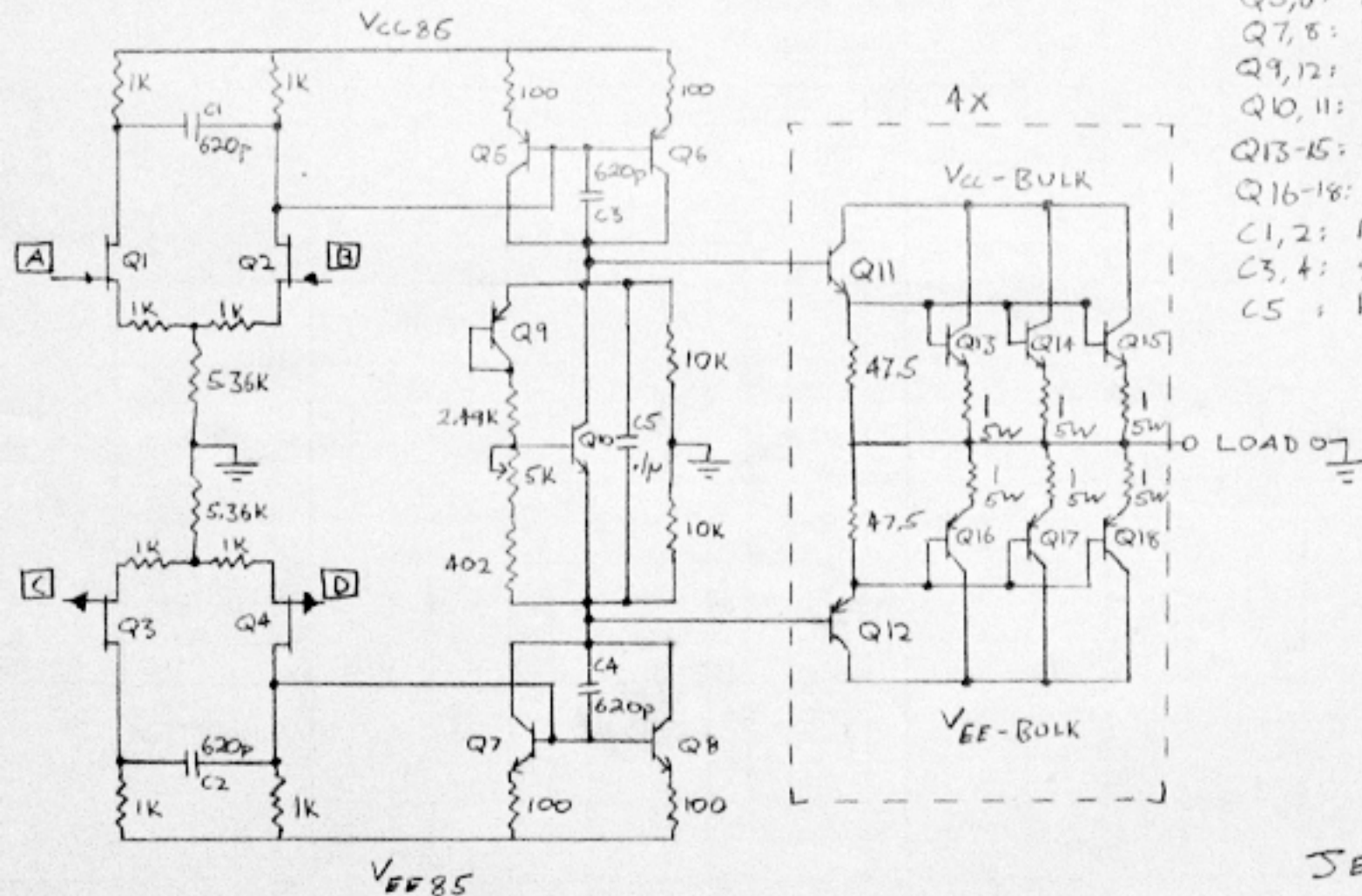
Q13-15: MJE15024

Q16-18: MJE15025

C1,2: ROEDERSTEIN KP-1830 100V

C3,4: SILVER MICA

C5: ROEDERSTEIN MKT 1818 100V



JEFFREY BAKER OCT 2004

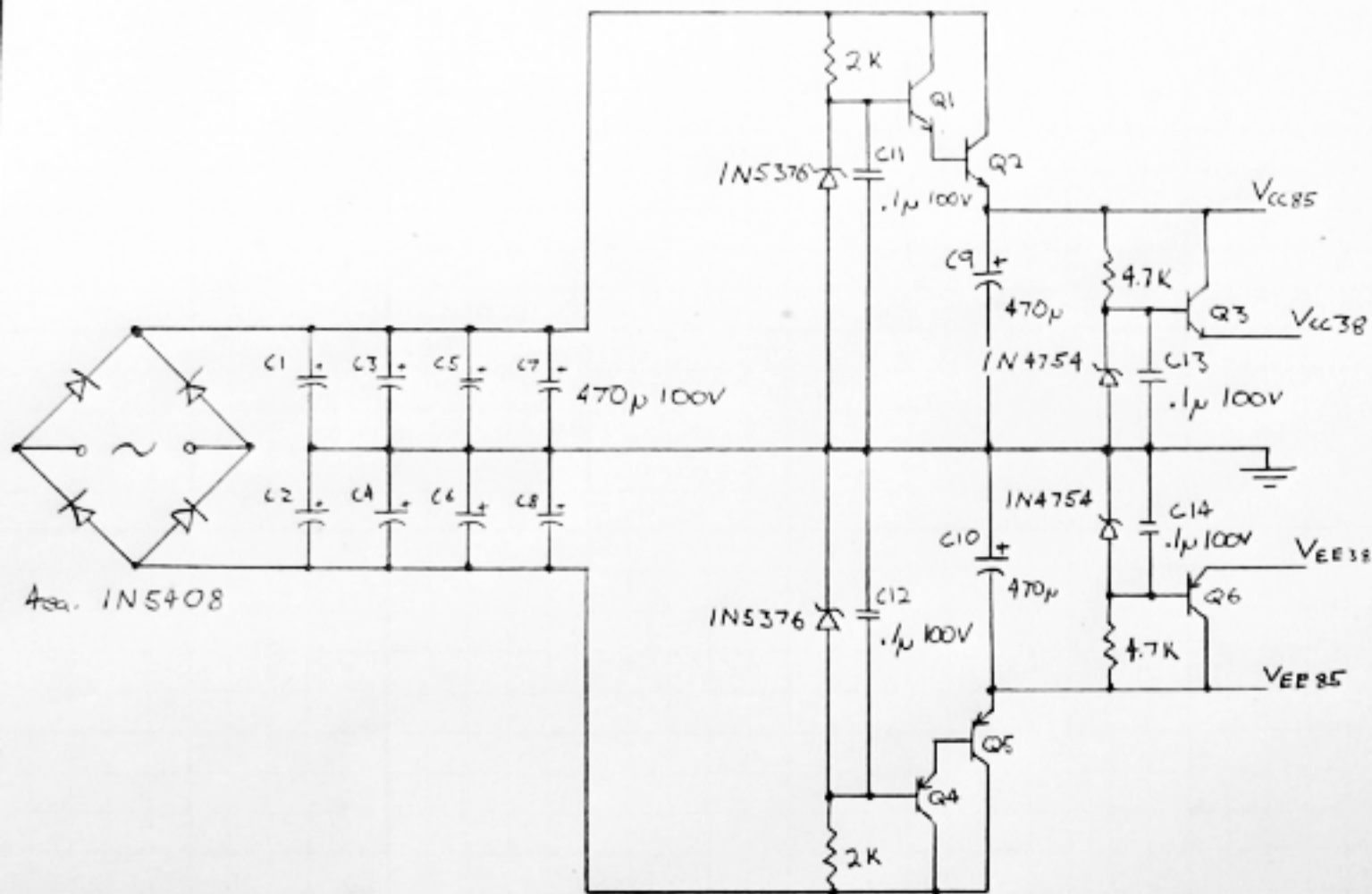
# KRELL KMA 160 REGULATED SUPPLY

Q1-3: MJE 15030

Q4-6: MJE 15031

C11-14: ROEDERSTEIN MKT 1818

R: DALE RN60D



JEFFREY BAKER OCT 2004