

END NO.

RES:R394  
CAP:C363  
Z.D:ZD301  
V.R:VR320  
DIO:D306  
S.W:SW307  
T.R:Q312  
I.C:U311  
LED:LD304  
JMP:J335

RESISTOR VALUE CHART

TRIGGER 1 8V+  
OUTPUT 2 7V DISCHARGE  
RESIST 3 6V CONTROL  
3V VOLTAGE

NJM555

OSC 1 10V VDD  
TST 2 15V OUT1  
SEL 3 15V OUT2  
SEL 4 15V IN  
SEL 5 15V IN  
VSS 6 10V DM1  
VSS 7 10V DM2  
VSS 8 8V TST2

BXA4240

ECB  
C3198Y

AS601 From P.T.T. REMOTE

SPK ALL CALL  
MIC2 PRI  
CHI REM  
REM PRI  
E/M PRI  
PTT PRI  
MIC3 PRI  
MIC1 PRI

AS201 TO ATT. PCB

AS903 From POWER

AS904

AS902 From POWER

SW307 POWER S/W

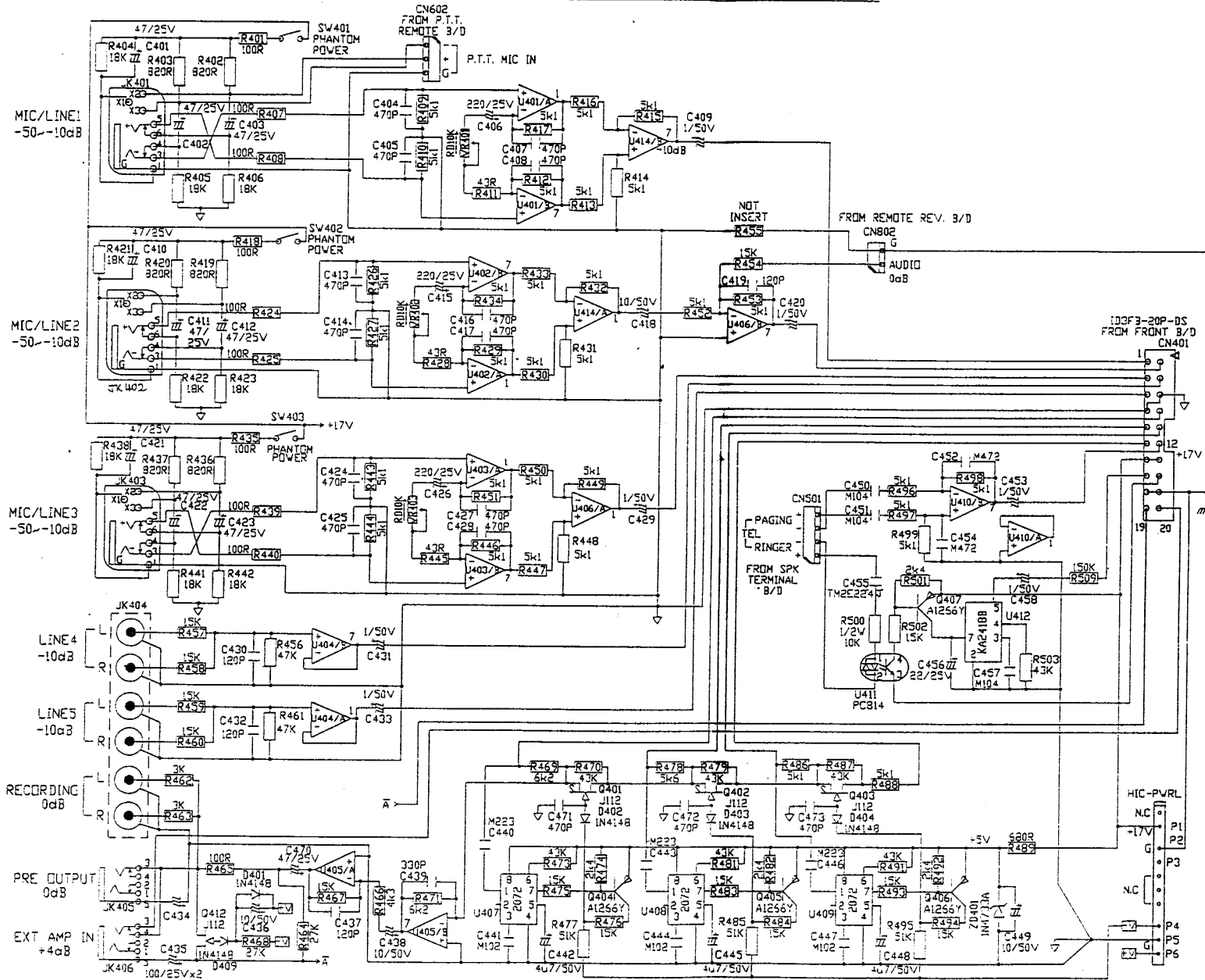
▲ : USE APPROVED PART ONLY

NOTES  
OP AMP:NJM4558DD



PROJECT	ATT. ZONE AMPLIFIER PA-1120A, PA-1240A	DESIGNED		DRAWN	KIM E. H.	CHECKED	2/6	APPROVED	
TITLE	OUTPUT CIRCUIT DIAGRAM <PCB NAME:JPA-1A-C(FRONT BOARD)>	SCALE	NONE	UNIT		DATE	1999.1.20	DRAWN NO	T398011H-SC

PCB WK:99.1.20



NOTES  
 NJM5532DU401,U402,U403  
 etc IC,NJM4558D

«PARTS STYLE»

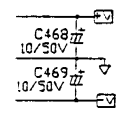
NJM5532D  
 NJM4558D

C3198Y  
 A1256Y

NJM2072

KA2418B

- END NO.
- RESR401-R510
  - CAPC473
  - D1D-D408
  - ICU414
  - JAK,JK406
  - T.R-Q412
  - ZD6ZD401
  - CONCN401
  - V.R-VR403
  - S/V-SV403
  - RTC-RTC401
  - JMPJ420

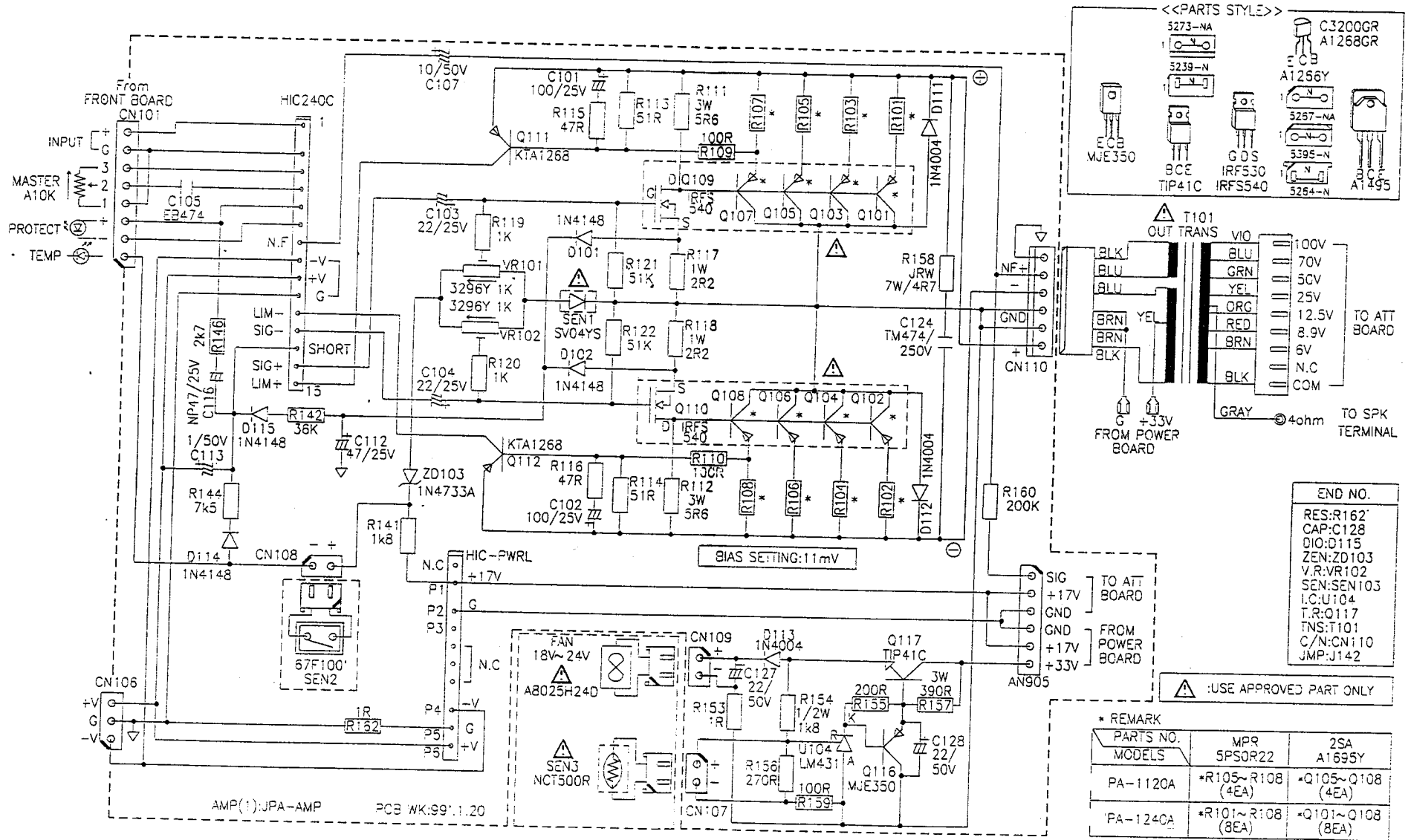


PC3 WK'99.120

PROJECT	ATT. ZONE AMPLIFIER (JPA-1120A PA-1240A)	DESIGNED		DRAWN	KIM E. H.	CHECKED	1/5	APPROVED	<i>36182</i>
TITLE	THE BEGINNING INPUT CIRCUIT DIAGRAM (PCB NAME:JPA-1A-DKREAR BOARD)	SCALE	NONE	UNIT		DATE	1999.1.20	DRAWN NO	T39801IH-S0



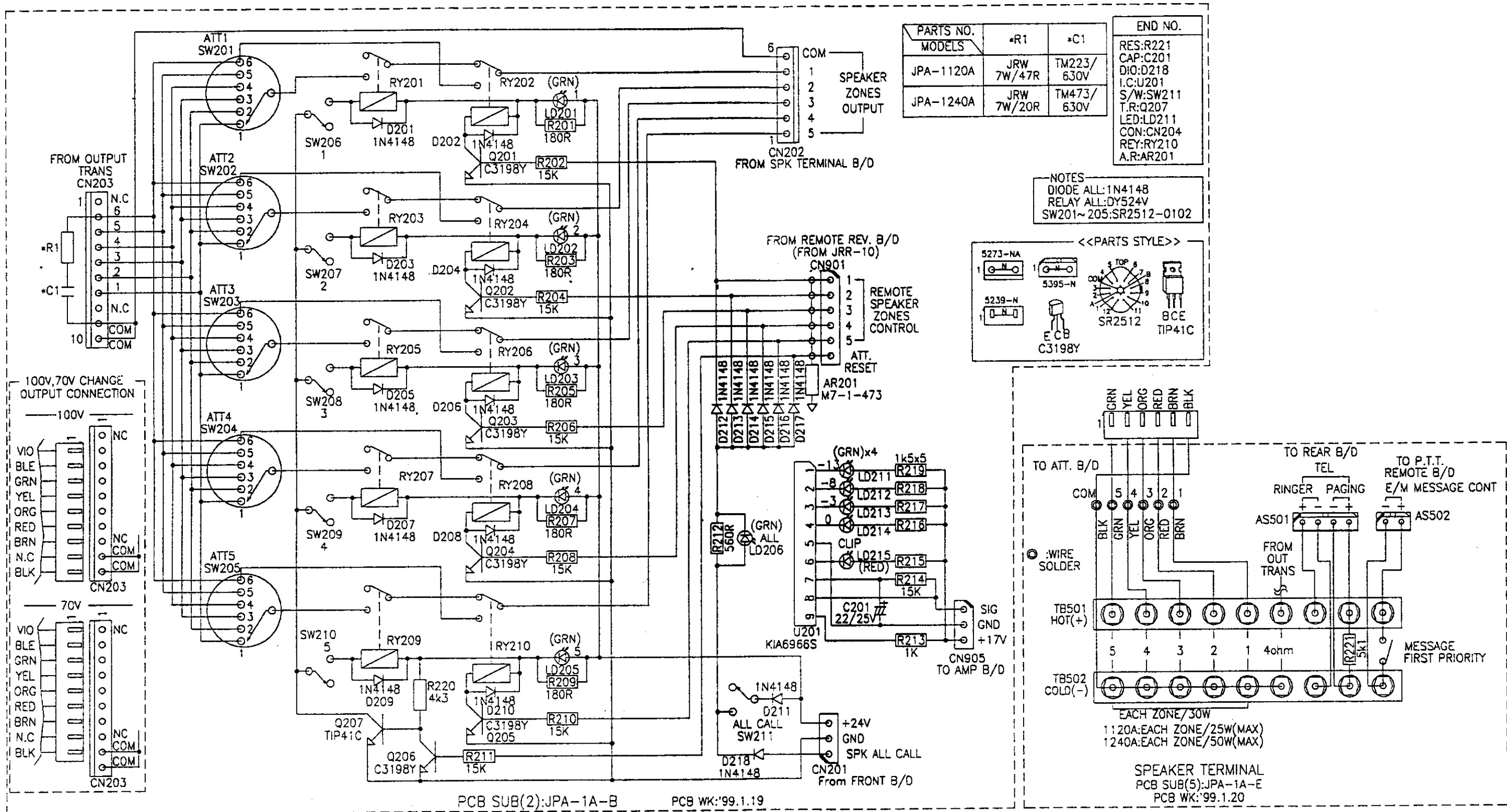
PA-1120/PA-1240



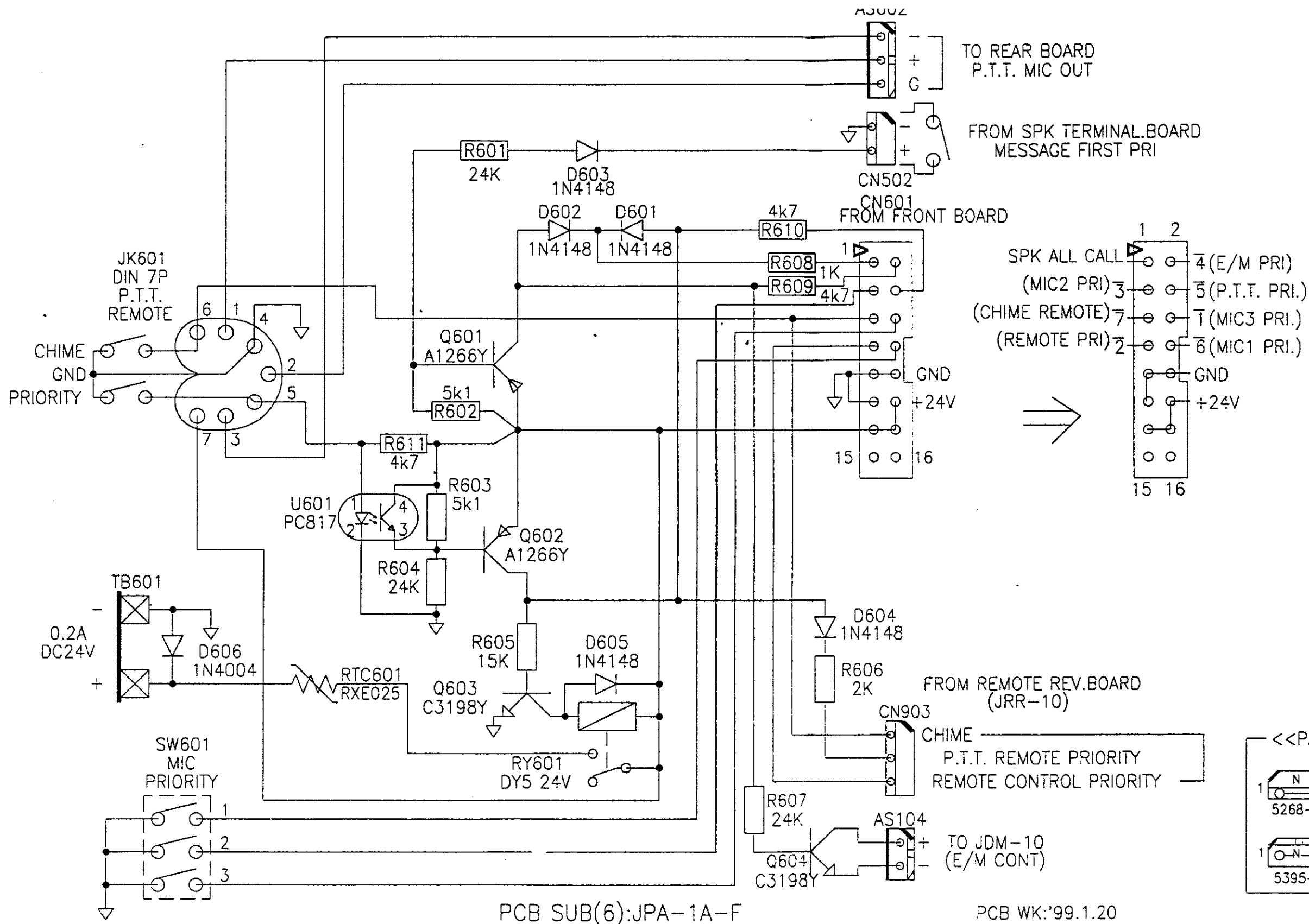
PROJECT	ATT. ZONE AMPLIFIER (JPA-1120A, JPA-1240A)	DESIGNED		DRAWN	KIM E. H.	CHECKED	3/5	APPROVED	3/20/99
TITLE	"MAIN AMP" CIRCUIT DIAGRAM <PCB NAME: JPA-AMP>	SCALE	NONE	UNIT		DATE	1999.1.20	DRAWN NO	

T398011H-SAL

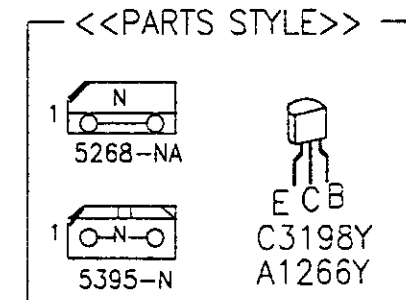
PA-1120/PA-1240



PROJECT	ATT. ZONE AMPLIFIER (PA-1120A, PA-1240A)	DESIGNED		DRAWN	KIM E. H.	CHECKED	4/6	APPROVED	
TITLE	ATT. & SPK ZONES CIRCUIT DIAGRAM (PCB NAME:JPA-1A-B,JPA-1A-E)	SCALE	NONE	UNIT		DATE	1999.01.20	DRAWN NO	T398011H-SB

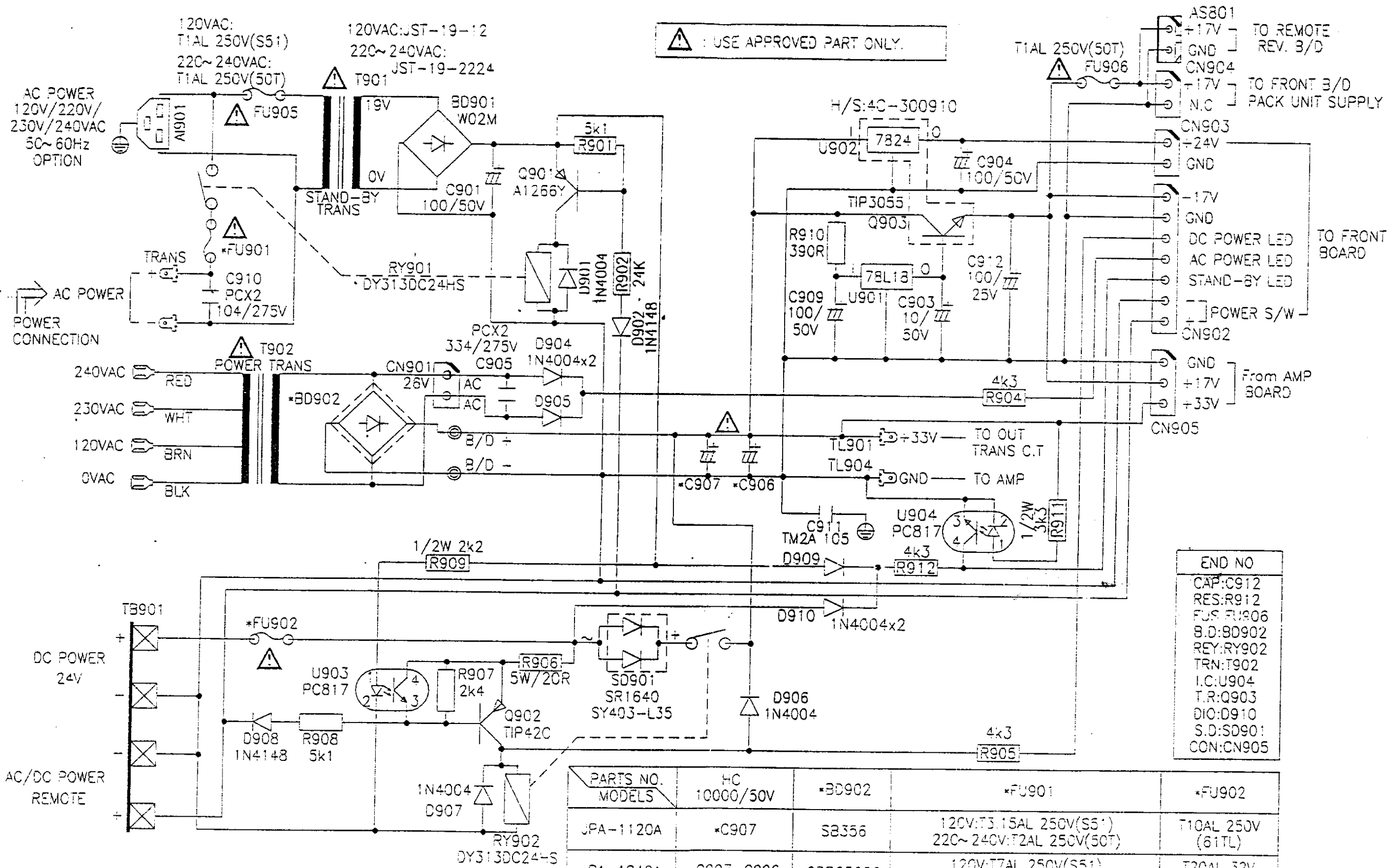


END NO.
S.W:SW601
RES:R611
DIO:D606
T.R:Q604
RTC:RTC601
T.B:TB601
I.C:U601
JMP:J603



PROJECT	ATT. ZONE AMPLIFIER PA-1120A, IPA-1240A)	DESIGNED		DRAWN	KIM E. H.	CHECKED	5/6	APPROVED	
TITLE	P.T.T. REMOTE PART CIRCUIT DIAGRAM (PCB NAME:JPA-1A-F)	SCALE	NONE	UNIT		DATE	1999.1.20	DRAWN NO	T3980111-SF

PA-1120/PA-1240



END NO
CAP:C912
RES:R912
FUS:FU906
B.D:BD902
REY:RY902
TRN:T902
I.C:U904
T.R:Q903
DIO:D910
S.D:SD901
CON:CN905

PARTS NO. MODELS	HC	*BD902	*FU901	*FU902
JPA-1120A	10000/50V	S8356	120V:T3.15AL 250V(S51) 220~240V:T2AL 250V(50T)	T10AL 250V (61TL)
JPA-1240A	*C907, *C906	GBPC5006	120V:T7AL 250V(S51) 220~240V:T4AL 250V(50T)	T20AL 32V (AFE)

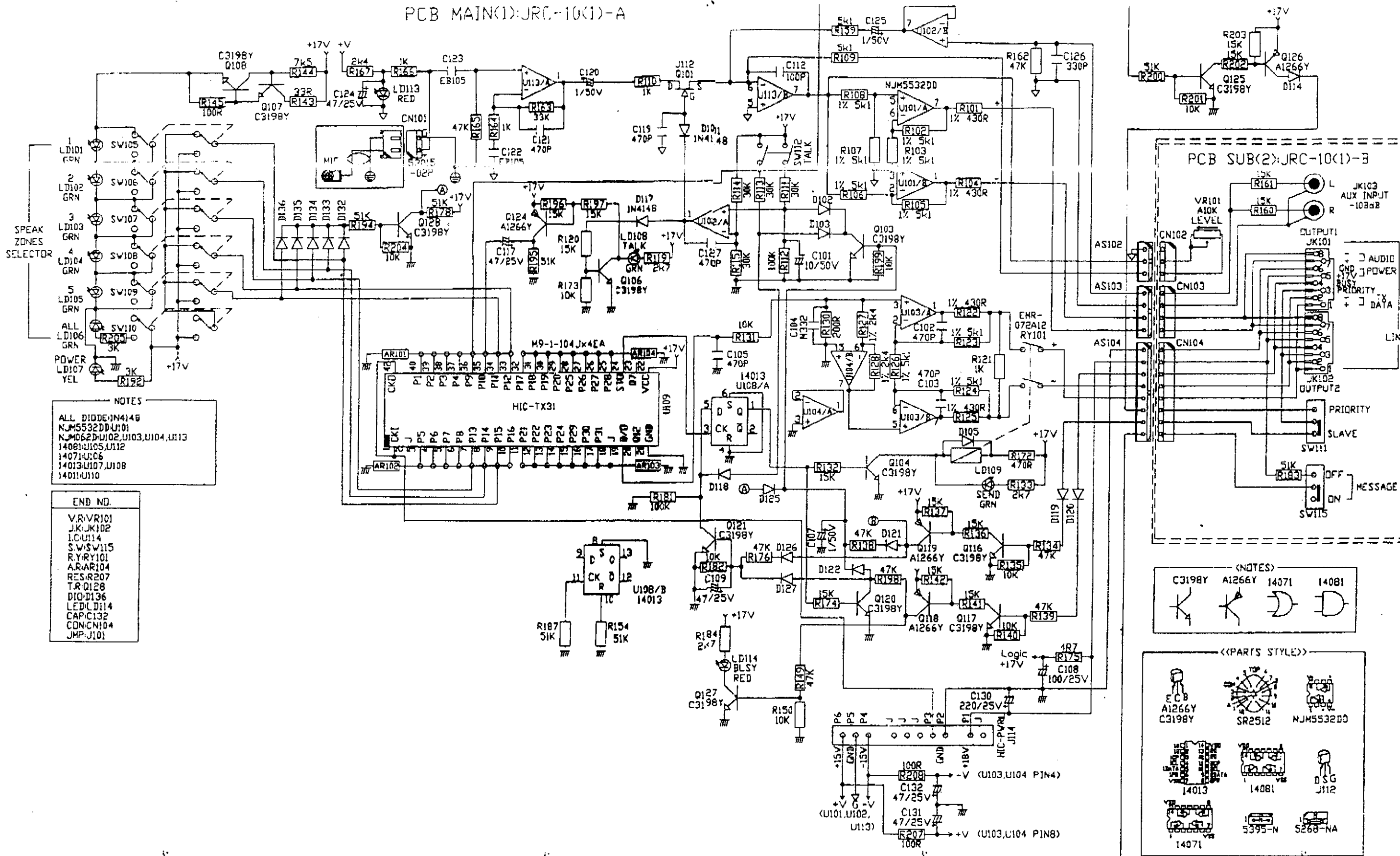
PCB SUB(7):JPA-1A-A  
PCB WK:99.1.20

### PA-1120/PA-1240



PROJECT	ATT. ZONE AMPLIFIER ( PA-1120/ PA-1240A)	DESIGNED	DRAWN	Y1 S.J.	CHECKED	6/6	APPROVED
TITLE	"POWER" CIRCUIT DIAGRAM (PCB NAME:JPA-1A-A)	SCALE	UNIT	NONE	DATE	1999.2.9	DRAWN NO: T398011H-SG.

PCB MAIN(1):JRC-10(1)-A



PA-1120RC

REMOTE CONTROLLER (JRC-11)	DESIGNED	DRAWN	CHECKED	APPROVED
CIRCUIT DIAGRAM (PCB NAME:JRC-10-A,JRC-10-B)	SCALE	UNIT	DATE	DRAWN NO
			1999.6.17	TP99022E

