

model TH-666

6 TRANSISTOR RADIO

SERVICE MANUAL

Hitachi, Ltd.

DESCRIPTION

This new pocket radio is the smallest of its type yet produced anywhere, and fully maintains Hitachi's consistently high standards as to sensitivity, tone and reliability.

It fits easily in a purse or shirt pocket.

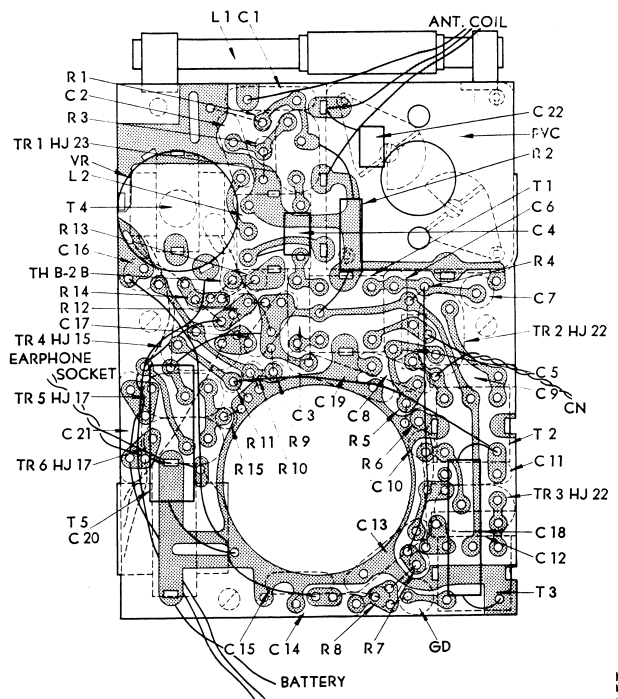
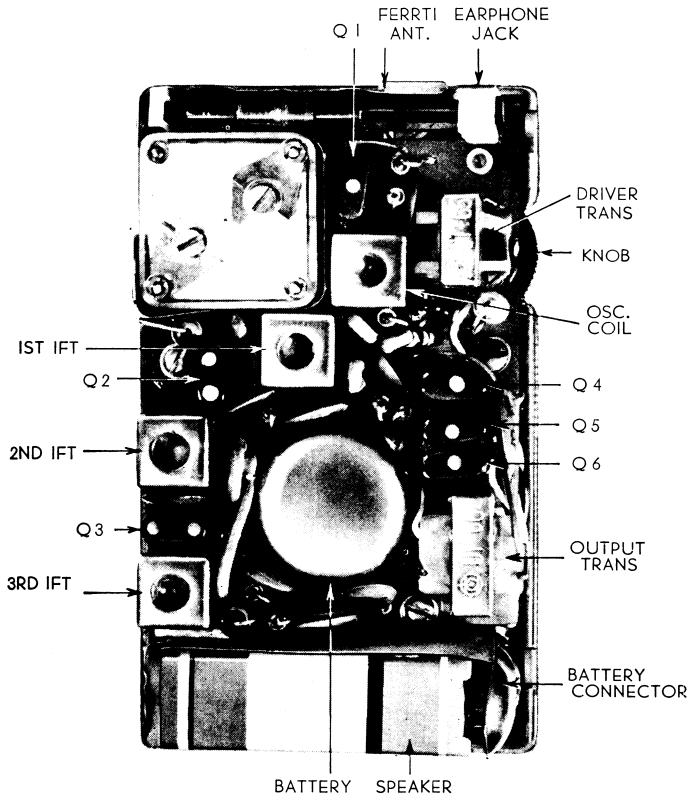
This instrument contains 6 Hitachi transistors, 1 germanium diode and a temperature compensating thermistor.

In this service book are described operation of the set, the circuit system, and several simplified repairing methods.

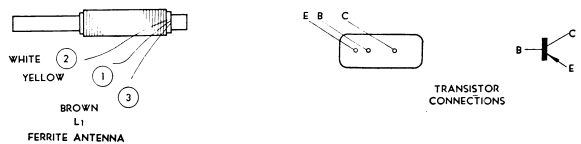
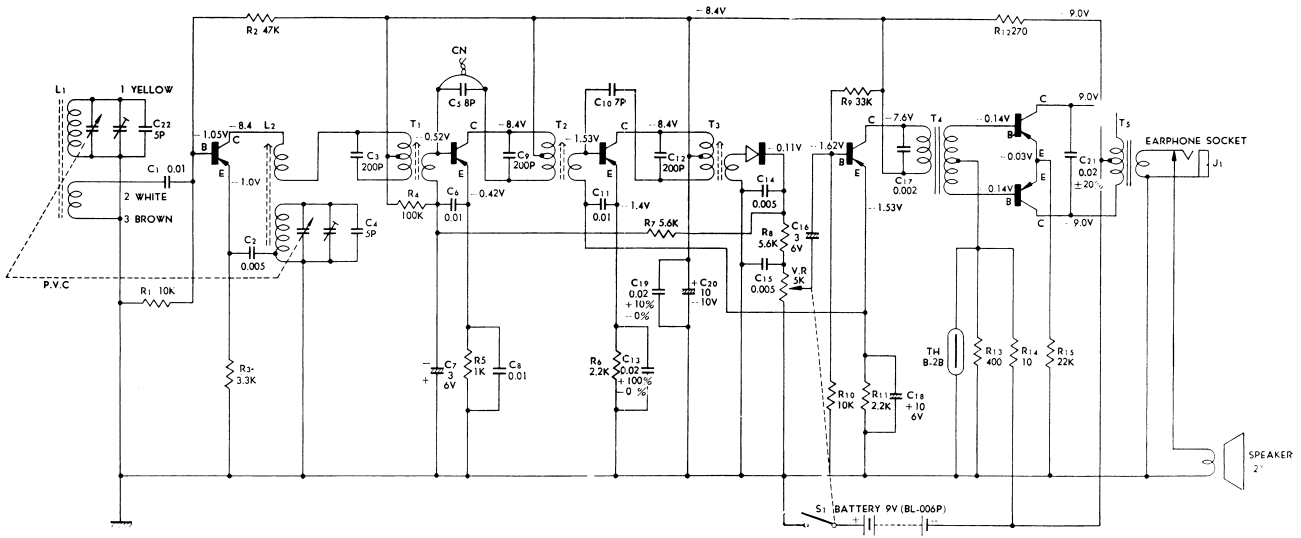
1. The use of the high efficiency Hitachi transistor with almost endless life assures that this radio will be operating at optimum reception for many years.
2. The all-printed circuit and the new "dip-soldering" method adopted for parts attachment eliminate all risk of failure and assure almost endless life for this radio.
3. The high quality speaker with a wide sound range and push-pull output circuit reproduce undistorted tones, rich in volume.
4. Uniformly excellent reception is assured by the temperature compensating thermistor even under wide variation of ambient temperature.
5. The case is of shock-proof molded plastic and comes in three attractive colors which will not discolor even after years of use.
6. Hitachi home speaker, ES-20 or ES-70, can be connected to the earphone jack for increased listening pleasure.

SPECIFICATIONS

Circuit system	6-transistor superheterodyne
Tuning range	535-1605 kc
Intermediate frequency	455 kc
Transistor components	HJ-23 Frequency converter HJ-22×2 Intermediate frequency amplifier IN34-Detector and automatic volume controller HJ 17×2 Power amplifier B-2B Temperature compensation
Output	80 mW
Power source	9 V BL-006 P (Japan) N. E. D. A. 1604 Eveready 216 Bay-0-Vac 1604 Burgess 2V6 G. E. 88
Earphone	EL-212 type magnetic earphone
Speaker	2" dynamic speaker
	Dimensions $2\frac{3}{8}$ "W × $3\frac{5}{16}$ "H × $1\frac{1}{2}$ "D



CONV.	1ST. I.F.	2ND. I.F.	DETECTOR DIODE	A.F. AMP.	OUT PUT
TR ₁ HJ 23	TR ₂ HJ 22	TR ₃ HJ 22	IN 34 A	TR ₄ HJ 15	TR _{5,6} HJ 17x2



HITACHI TH-666

