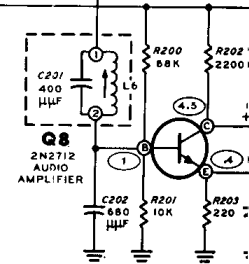
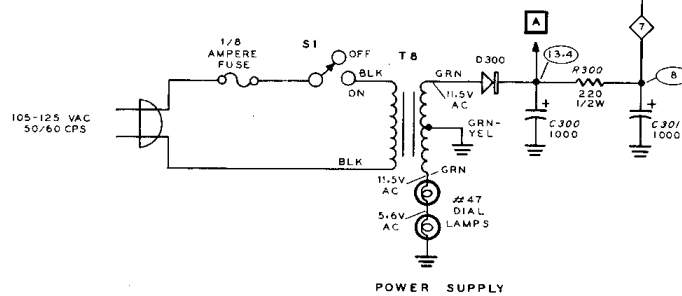
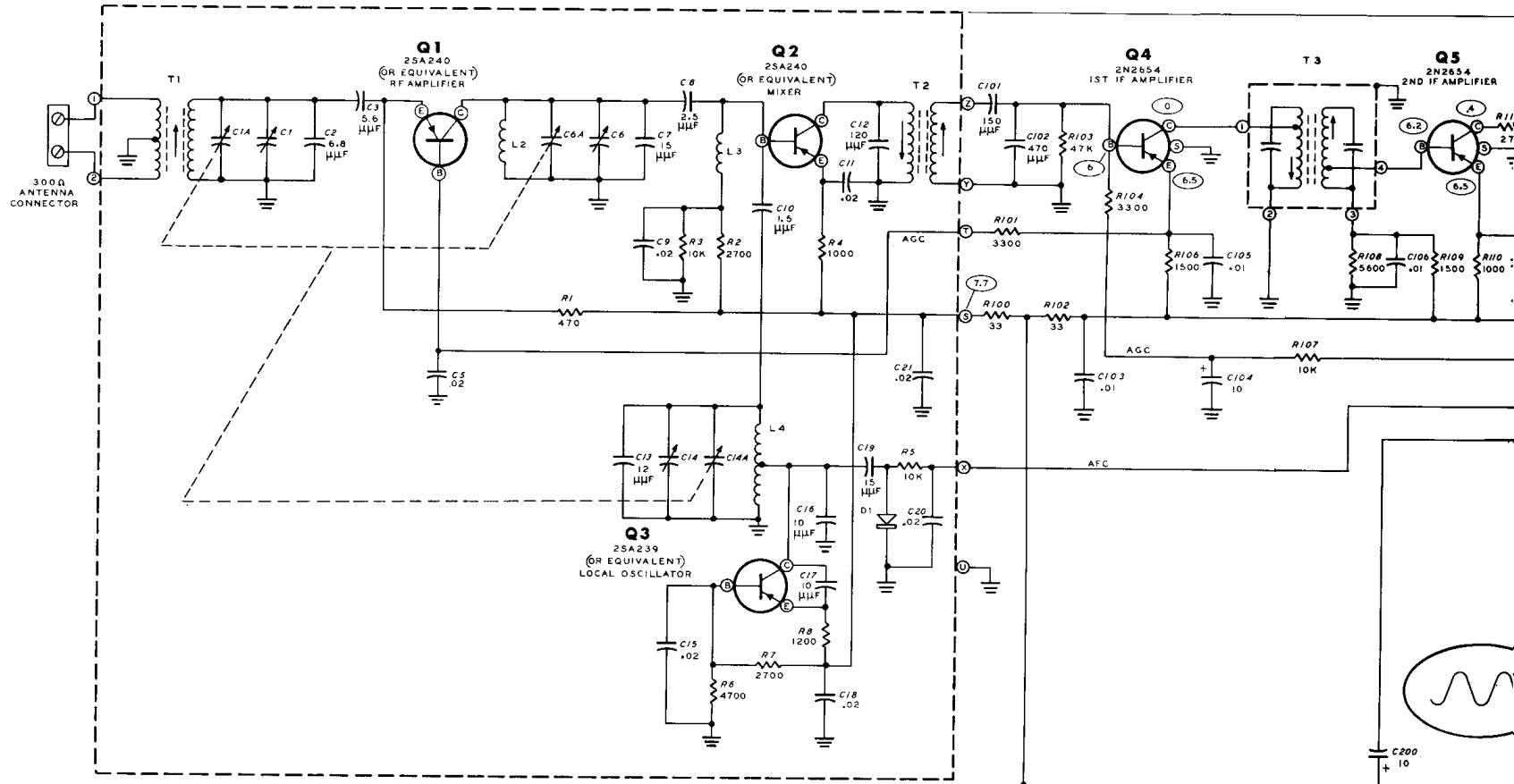


FM TUNING UNIT



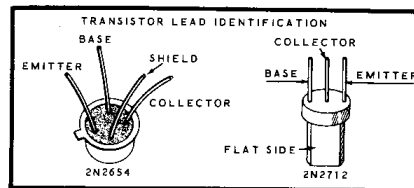
NOTES:

ALL RESISTORS ARE 1/4 WATT UNLESS MARKED OTHERWISE.
 ALL RESISTOR VALUES ARE IN OHMS (K = 1000, MEG = 1,000,000).
 ALL CAPACITOR VALUES ARE IN μF UNLESS MARKED OTHERWISE.
 ⊕ INDICATES VOLTAGE READING.
 ⊖ INDICATES VOLTAGE READING.
 ALL VOLTAGES ARE DC POSITIVE UNLESS MARKED OTHERWISE.
 ALL VOLTAGES ARE MEASURED FROM POINT INDICATED TO CHASSIS GROUND.
 VOLTAGE READINGS TAKEN WITH AN 11 MEGOHM INPUT VTVM.
 VOLTAGES MAY VARY ±20%.
 MEASUREMENTS MADE WITHOUT ANTENNA CONNECTED, SWITCH S2 AT STEREO POSITION, AND PHASE SWITCH PUSHED IN.
 ⊕ INDICATES TEST POINTS.

◇ INDICATES CONNECTING POINTS ON CIRCUIT BOARD.
 REFER TO THE X-RAY VIEW FOR THE PHYSICAL LOCATION OF PARTS.

LETTER-NUMBER DESIGNATIONS FOR COMPONENTS ARE AS FOLLOWS:
 1 - 99 FM TUNING UNIT
 100 - 199 IF CIRCUIT
 200 - 299 FM STEREO MULTIPLEX CIRCUIT
 300 - 399 POWER SUPPLY

2N2712 TRANSISTORS: Q8 THROUGH Q13 HAVE AN ORANGE DOT AND Q14 HAS A BLUE DOT.



SCHEMATIC OF THE HEATHKIT® SOLID STATE FM STEREO TUNER MODEL AJ-14

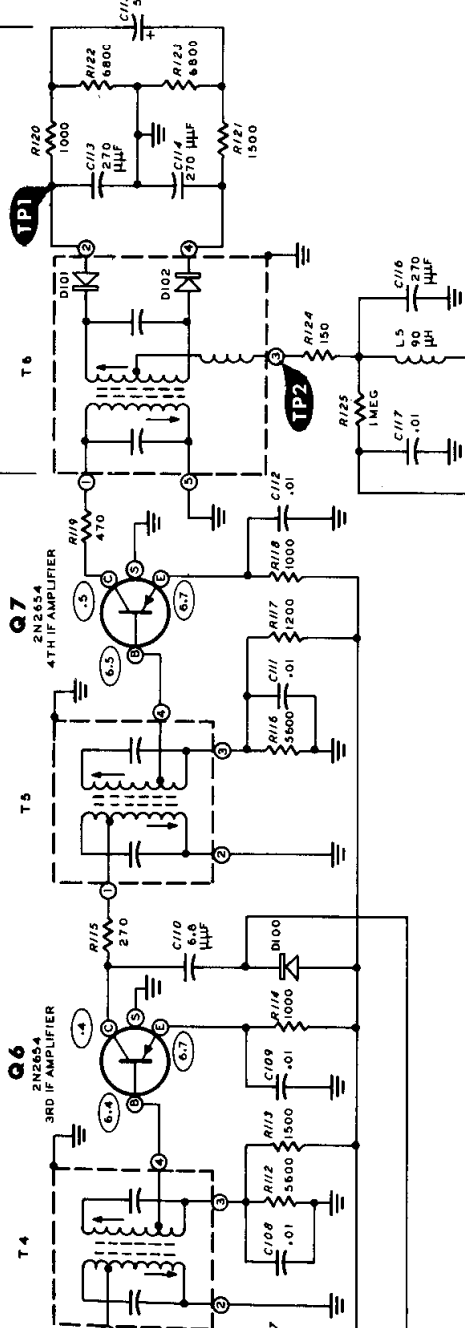
IF CIRCUIT

RATIO DETECTOR CIRCUIT

Q5
2N2654
2ND IF AMPLIFIER

Q6
2N2654
3RD IF AMPLIFIER

Q7
2N2654
4TH IF AMPLIFIER



T4

T5

T6

Q13
2N2712
STEREO
INDICATOR
AMPLIFIER

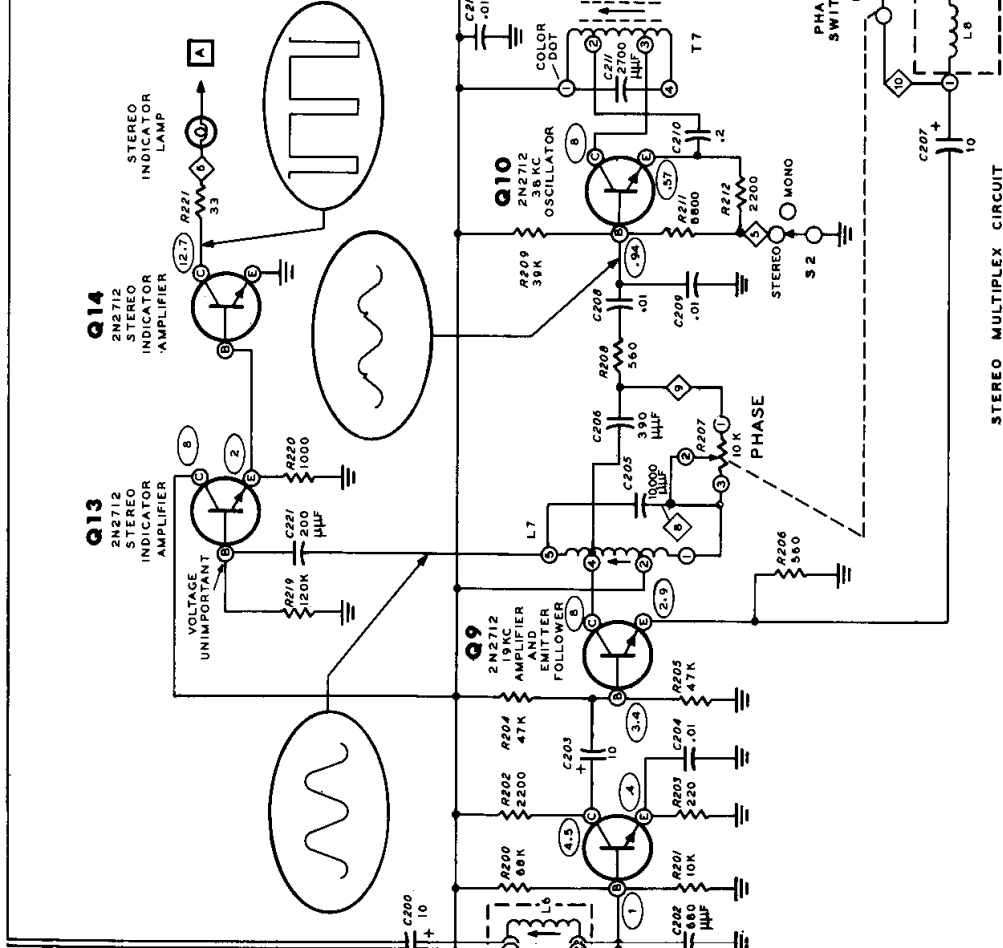
Q14
2N2712
STEREO
INDICATOR
AMPLIFIER

Q9
2N2712
19KC
AMPLIFIER
AND
EMITTER
FOLLOWER

Q10
2N2712
36 KC
OSCILLATOR

Q11
2N2712
SWITCHING
DETECTOR

Q12
2N2712
SWITCHING
DETECTOR



VOLTAGE
UNIMPORTANT

STEREO
INDICATOR
AMPLIFIER

STEREO
INDICATOR
AMPLIFIER

36 KC
OSCILLATOR

2N2712
SWITCHING
DETECTOR

2N2712
SWITCHING
DETECTOR

PHASE
SWITCH

STEREO MULTIPLEX CIRCUIT

P.E.C.

P.E.C.

3.8

3.7

3.7

3.7

3.8

3.8

3.8

3.8

3.8

3.8

3.8

3.8

3.8

3.8

3.8

3.8

3.8

3.8

3.8

C200

C201

C202

C203

C204

C205

C206

C207

C208

C209

C210

C211

C212

C213

C214

C215

C216

C217

C218

C219

C220

C221

L6

L7

L8

L9

L10

L11

L12

L13

L14

L15

L16

L17

L18

L19

L20

L21

L22

L23

L24

L25

L26

L27

R200

R201

R202

R203

R204

R205

R206

R207

R208

R209

R210

R211

R212

R213

R214

R215

R216

R217

R218

R219

R220

R221

T7

T8

T9

T10

T11

T12

T13

T14

T15

T16

T17

T18

T19

T20

T21

T22

T23

T24

T25

T26

T27

T28