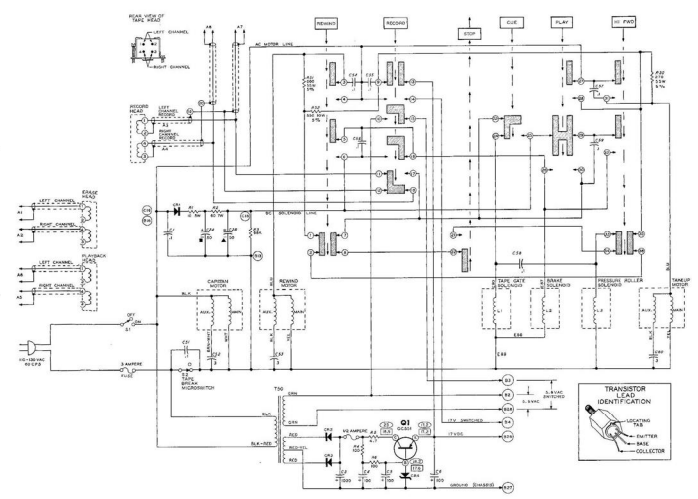


**SCHEMATIC OF THE
MAGNECORD-HEATHKIT®
STEREO TAPE RECORDER
MODEL AD-16
(ELECTRONIC CIRCUITS SCHEMATIC)**

- NOTES:
- RESISTOR AND CAPACITOR NUMBERS ARE IN THE FOLLOWING GROUPS:
100 - 100 LEFT CHANNEL CIRCUIT
200 - 200 RIGHT CHANNEL CIRCUIT
300 - 300 COMMON MICROWAVE CIRCUIT
 - ALL RESISTORS ARE 1/2 WATT, 10% UNLESS OTHERWISE SPECIFIED.
 - ALL CAPACITOR VALUES ARE IN MICROFARADS UNLESS OTHERWISE SPECIFIED.
 - 100 OHM RESISTOR IS SHOWN FOR THE EQUALIZER.
 - FOR STEREO, A CONTROL INDICATED CLOCKWISE POSITION.
 - ROTARY SWITCHES ARE VIEWED FROM THE CLOCKWISE END OF THE SHAFT.
 - THE MONITOR SWITCH IS SHOWN IN THE CLOCKWISE (OFF) POSITION.
 - THE EQUALIZER SWITCH IS SHOWN IN THE CLOCKWISE (FAST) POSITION.
 - THE RECORD SWITCH IS SHOWN IN THE COUNTERCLOCKWISE (LEFT CHANNEL) POSITION.
 - ALL DC VOLTAGES ARE NEGATIVE AND MEASURED FROM POINT INDICATED TO GROUND CHASSIS.
 - AC VOLTAGES MEASURED BETWEEN POINTS INDICATED.
 - LINE VOLTAGE 117 VOLTS, 60 CYCLE AC.
 - THE WIDE LINES ON THE SCHEMATIC REPRESENT THE PLAYBACK AND RECORD SIGNAL PATHS.
 - INDICATES VOLTAGE MEASURED WITH STOP BUTTON PRESSED.
 - INDICATES VOLTAGE MEASURED WITH RECORD BUTTON PRESSED.



TAPE TRANSPORT SCHEMATIC

- NOTES:
- RESISTOR AND CAPACITOR NUMBERS ARE IN THE FOLLOWING GROUPS:
10 - 10 PARTS MOUNTED ON THE POWER SUPPLY CIRCUIT BOARD.
20 - 20 PARTS MOUNTED ON THE CHASSIS.
30 - 30 PARTS MOUNTED ON THE MICROFARADS LINE UNLESS OTHERWISE SPECIFIED.
 - ALL RESISTORS ARE 1/2 WATT, 10% UNLESS OTHERWISE SPECIFIED.
 - ALL CAPACITOR VALUES ARE IN MICROFARADS UNLESS OTHERWISE SPECIFIED.
 - TAPE BREAK SWITCH SHOWN IN RECORDER OPERATING POSITION.
 - TAPE TRANSPORT SWITCH ASSEMBLY, VIEWED FROM LOG SIDE WITH SWITCH LEVERS POINTING AWAY FROM YOU.
 - STOP BUTTON PRESSED IN.
 - ALL OTHER BUTTONS OUT.