







LEFT
RIGHT

TAPE HEAD
FM STEREO
ADL

SELECTORS
SOURCE

MONO LEFT
MONO RIGHT
STEREO
STEREO REV.

VOLUME

BASS

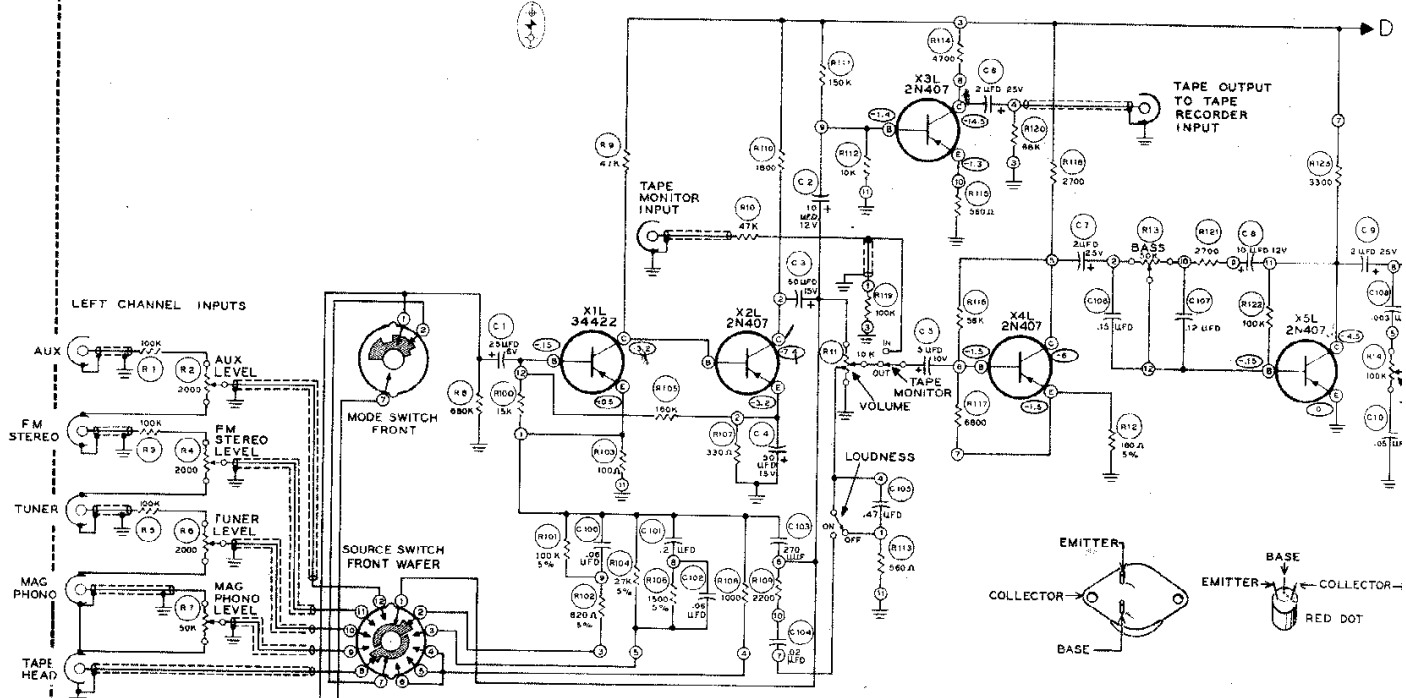
TREBLE

LEFT
RIGHT

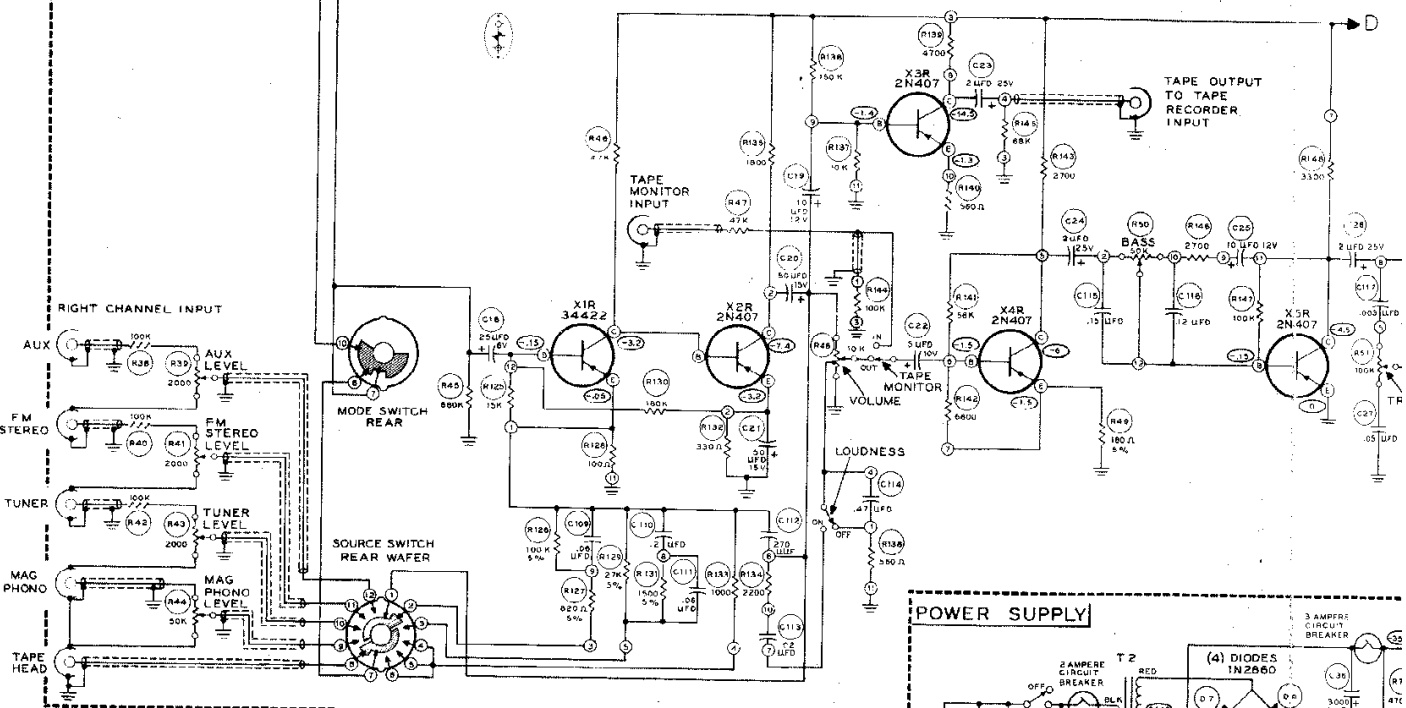
Transistor Stereo Amplifier

HEATHKIT

LEFT CHANNEL



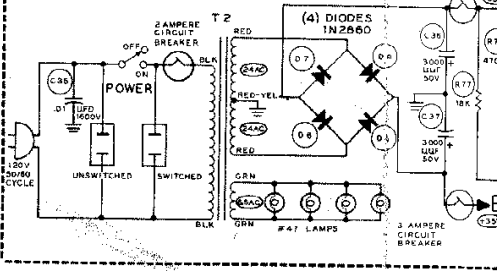
RIGHT CHANNEL



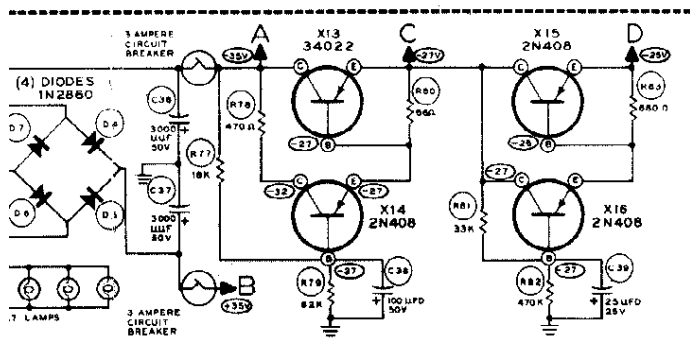
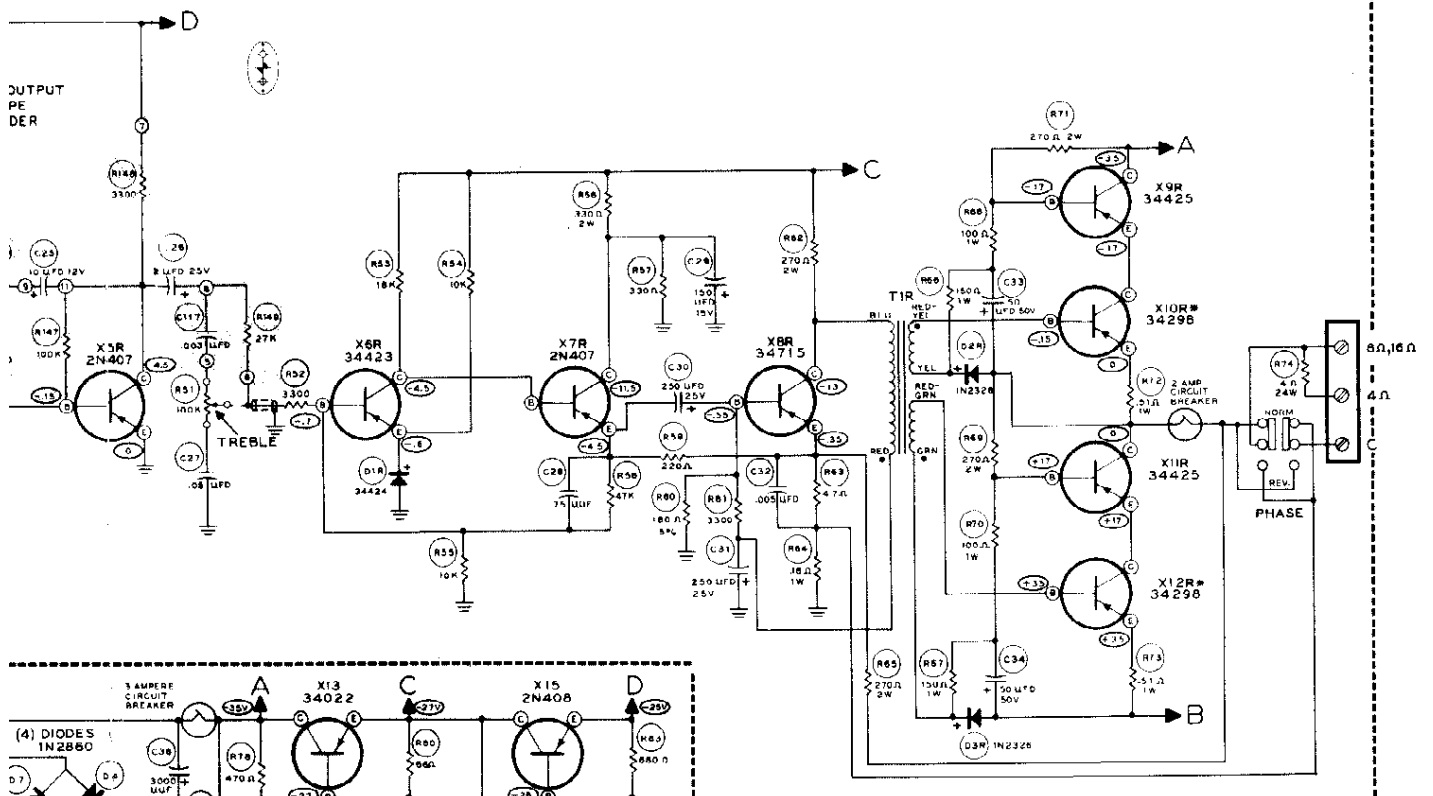
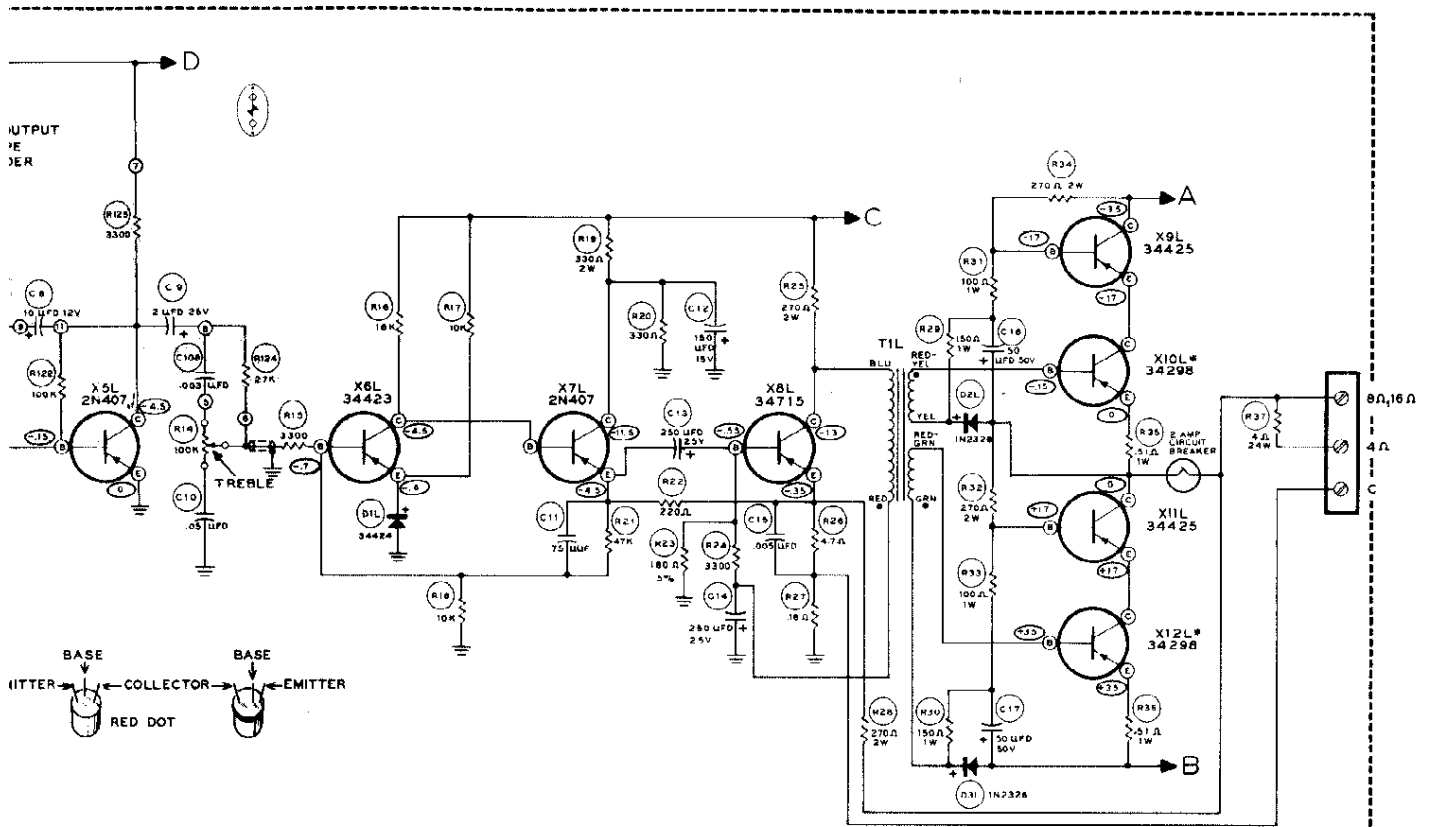
NOTES:
 ROTARY SWITCH WAFERS VIEWED FROM SHAFT END OF SWITCH.
 PHASE SWITCH IN NORMAL POSITION.
 SOURCE SWITCH SHOWN IN TAPE HEAD POSITION.
 TAPE MONITOR SWITCH IN OUT POSITION.
 MODE SWITCH SHOWN IN MONO MIX POSITION.
 LOUDNESS IN OFF POSITION.
 VOLTAGES TAKEN WITH AN 11 MEGOHM INPUT VTVM WITH A 150 VOLT LINE SOURCE.
 VOLTAGES MAY VARY 10% DUE TO TOLERANCE OF COMPONENTS.
 DC VOLTAGES TAKEN FROM TEST POINT TO CHASSIS GROUND UNDER NO-SIGNAL CONDITIONS WITH LOAD OR SPEAKERS CONNECTED TO OUTPUT TERMINALS.
 ○ INDICATES VOLTAGE READINGS.
 ⊕ INDICATES CHASSIS GROUND.

100 SERIES IS USED FOR THE R AND C NUMBERS FOR THE RESISTORS AND CAPACITORS IN THE MODULES.
 ALL RESISTORS ARE 1/2 WATT UNLESS SPECIFIED OTHERWISE.
 ALL RESISTOR VALUES ARE IN OHMS (K = 1000 OHMS).
 X1L - LEFT CHANNEL TRANSISTOR.
 X1R - RIGHT CHANNEL TRANSISTOR.
 C - COLLECTOR.
 B - BASE.
 E - EMITTER.
 * MATCHED GAIN PAIR.

POWER SUPPLY



EQUALIZATION NETWORK MODULE #94-28
 RIAS NETWORK MODULE #94-29
 TONE NETWORK MODULE #94-30



SCHMATIC OF THE
HEATHKIT[®]
TRANSISTOR STEREO
AMPLIFIER
MODEL AA-21