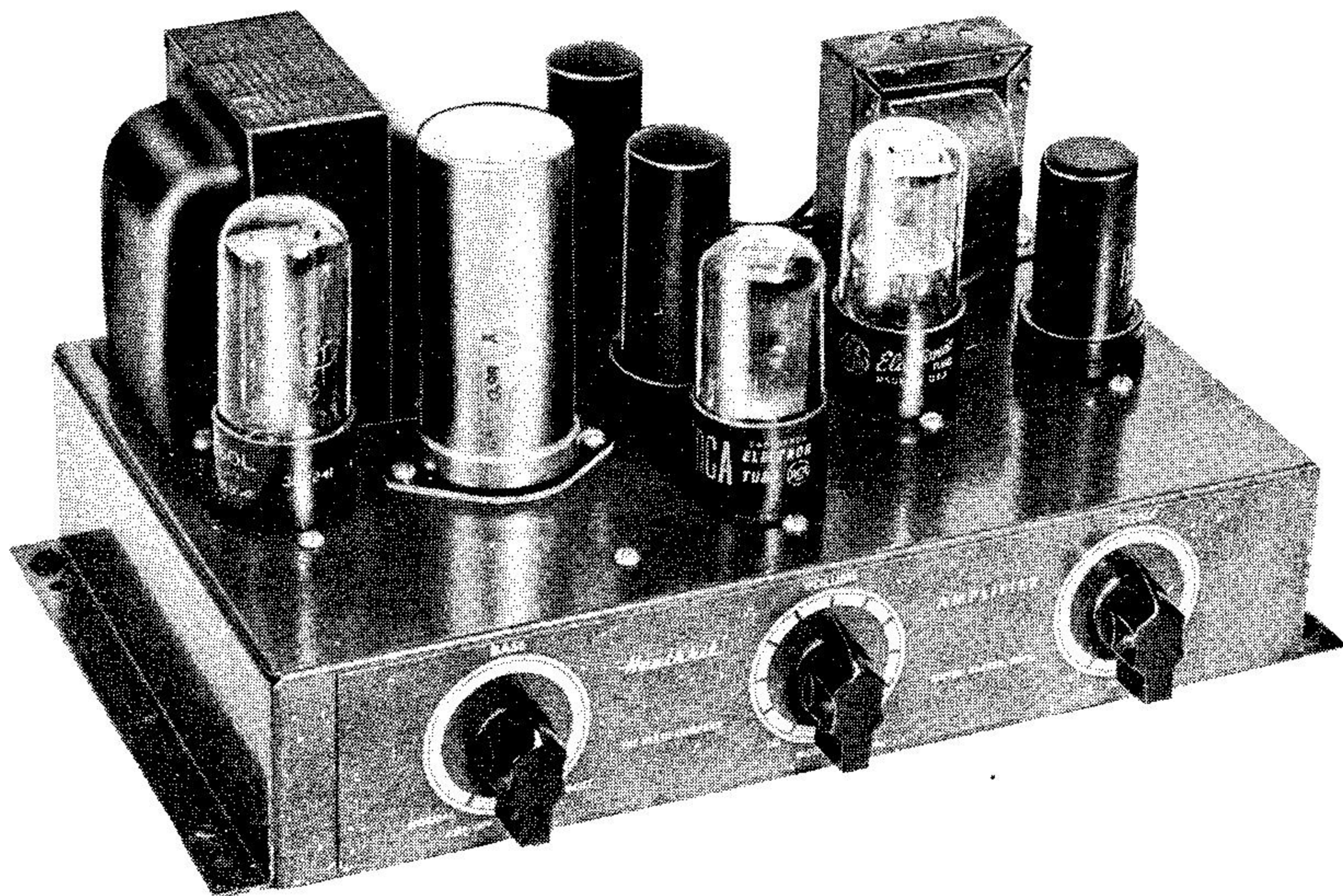
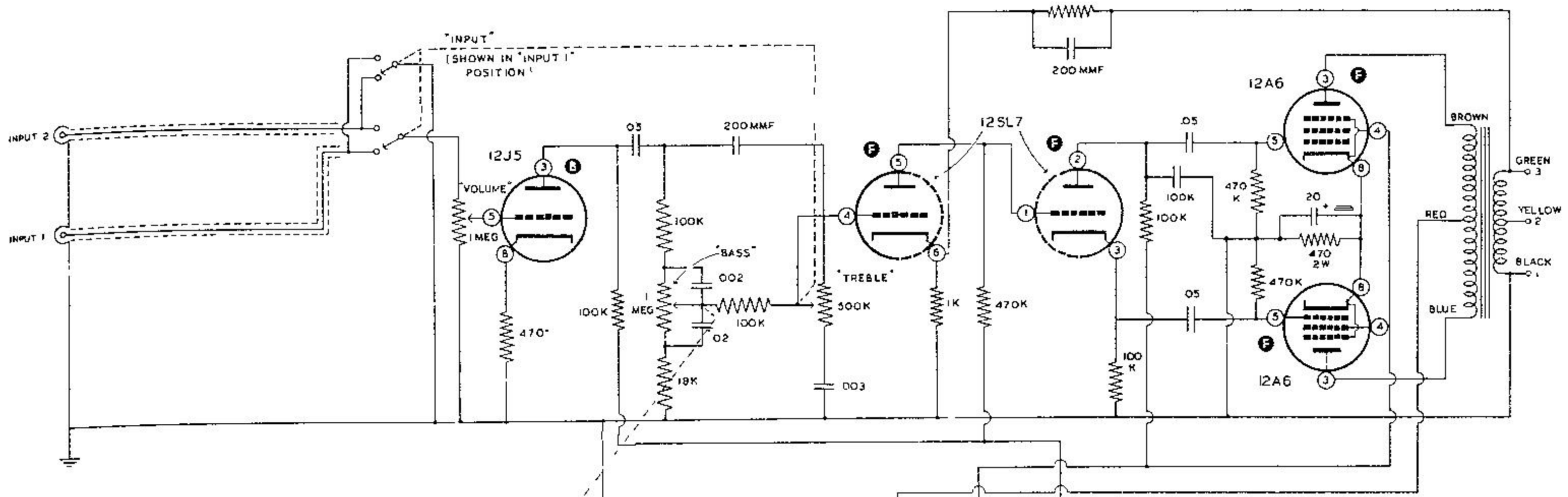


# HEATHKIT MODEL A-7B and A-7C AUDIO AMPLIFIERS

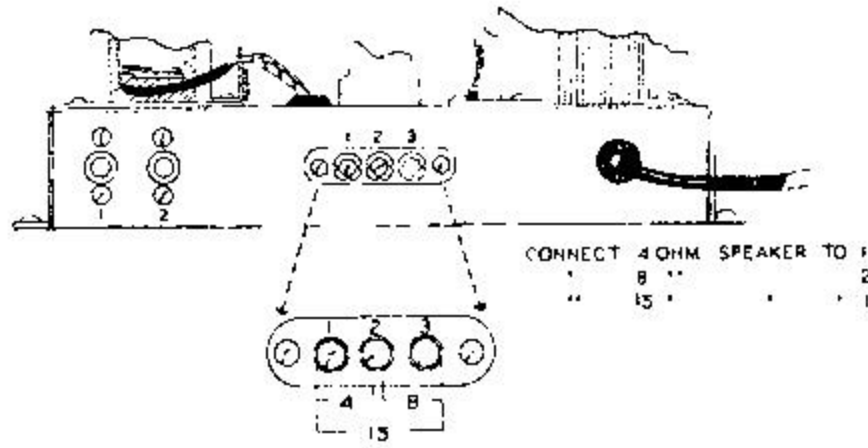
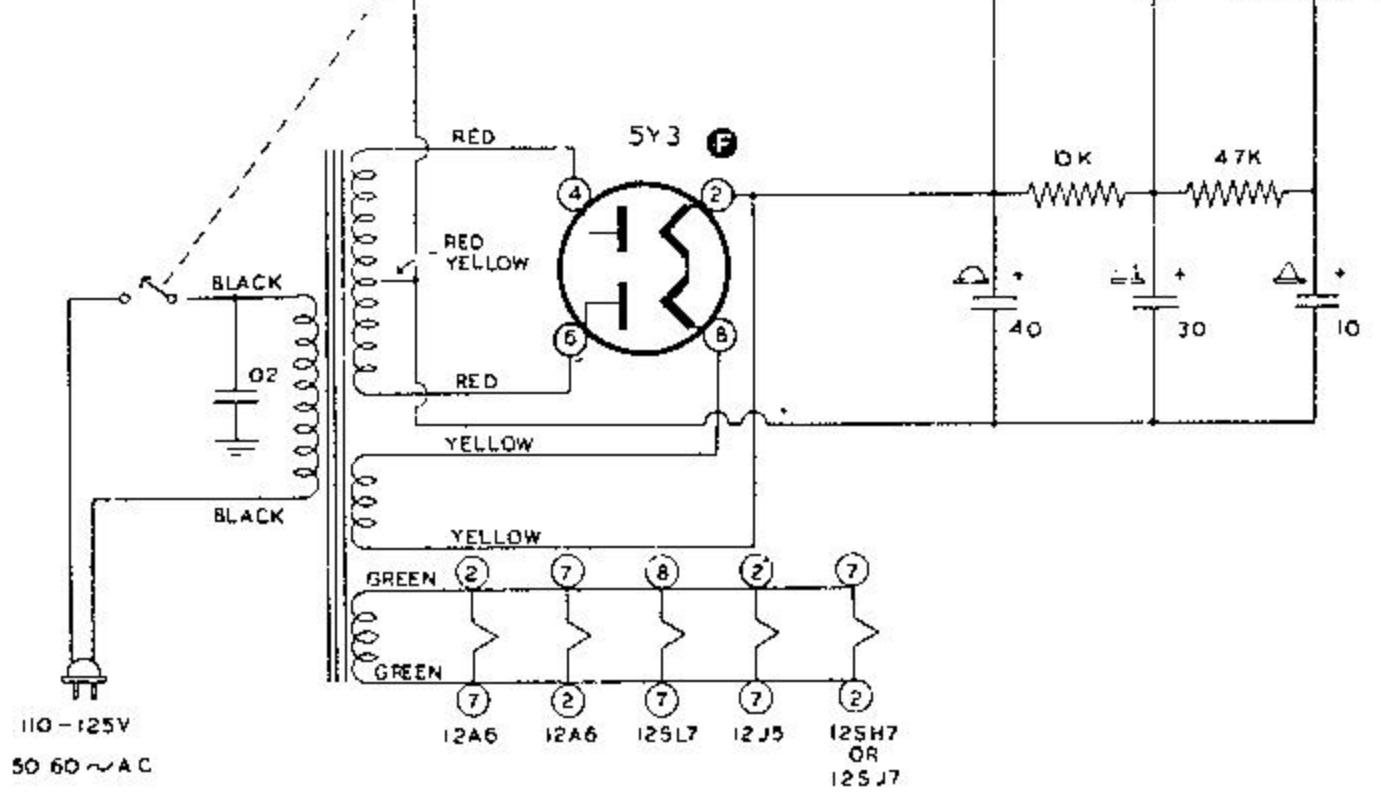


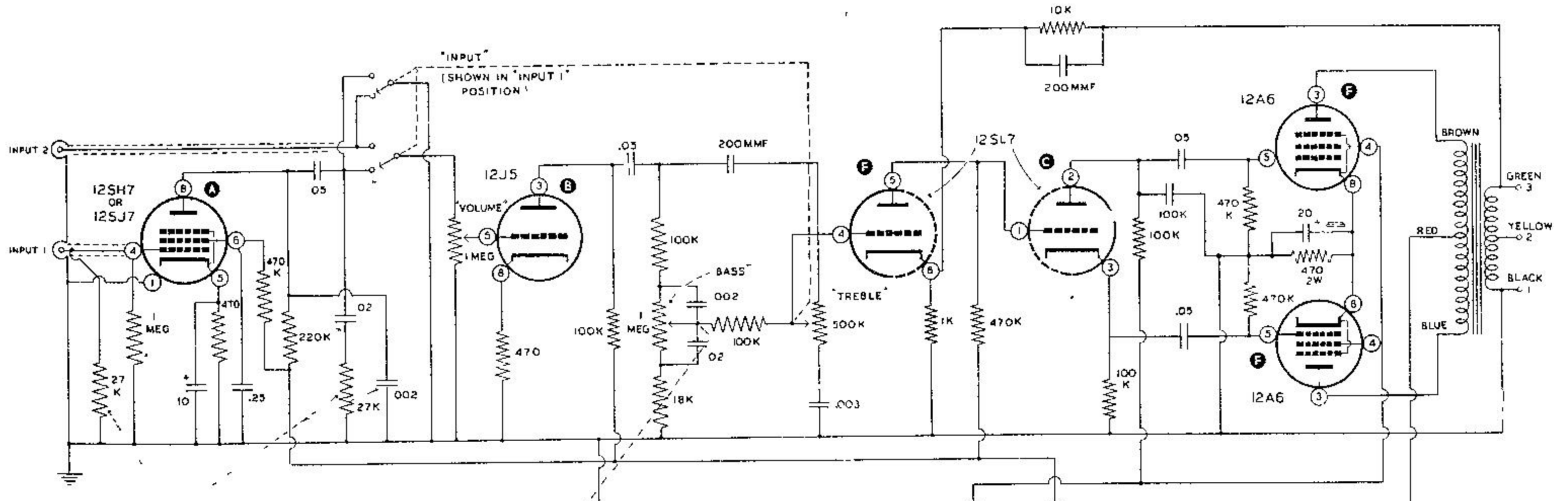
## SPECIFICATIONS

Frequency Response.....	±1.5 db 20 to 20,000 cps
Power Output.....	6 watts
Tube Complement.....	1 - 12J5 First Amplifier 1 - 12SL7 Second Amplifier and Phase Splitter 2 - 12A6 Beam Power Output 1 - 5Y3 Rectifier 1 - 12SH7 or 12SJ7 Preamplifier (A-7C only)
Output Impedance.....	4, 8, or 15 ohms
Input Voltage.....	110-125 volts AC 50/60 cycles
Physical Specifications.....	11 1/2" wide, 5 1/4" high, 6 1/2" deep
Shipping Weight.....	10 lbs.



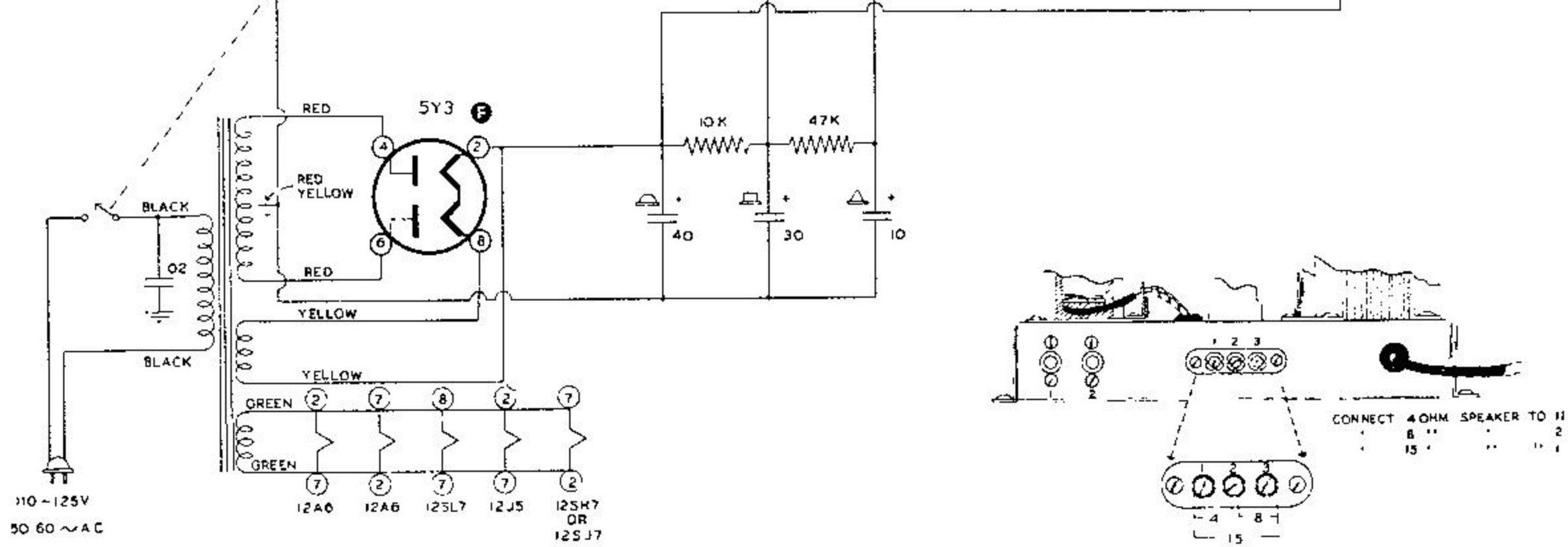
A-7B SCHEMATIC DIAGRAM





REMOVE FOR MICROPHONE INPUT

A-7C SCHEMATIC DIAGRAM



CONNECT 4 OHM SPEAKER TO 11 8 2 15