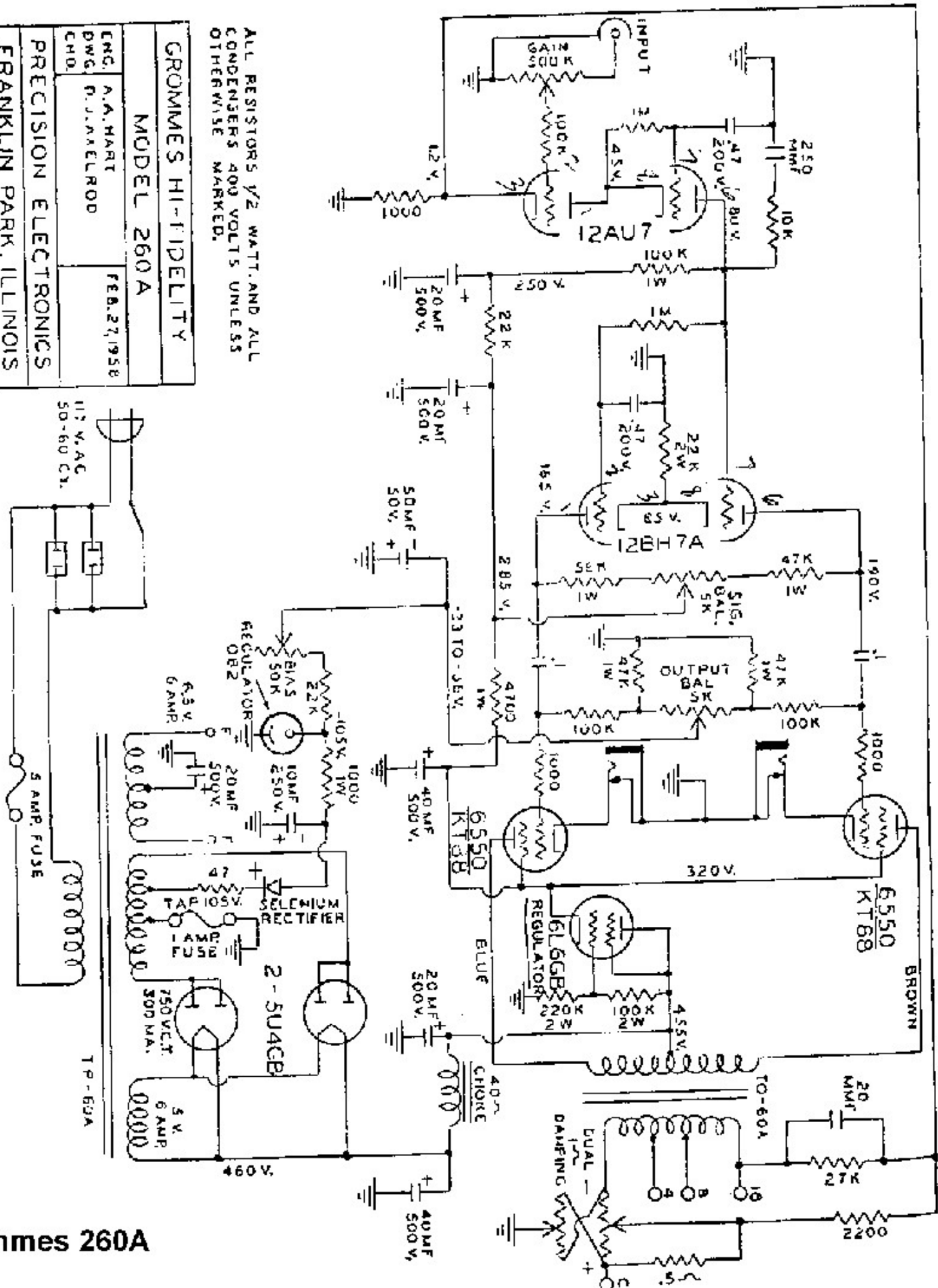


ALL RESISTORS 1/2 WATT, AND ALL CONDENSERS 400 VOLTS UNLESS OTHERWISE MARKED.

GROMMES HI-FIDELITY		
MODEL 260A		
ENG. A.A. HART	FEB. 27, 1958	
DWG. R. J. AELEROD		
CMD.		
PRECISION ELECTRONICS		
FRANKLIN PARK, ILLINOIS		



Grommes 260A