

REVISION RECORD	
LTR	ECO NO:
	APPROVED:
	DATE:

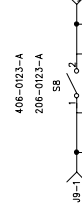
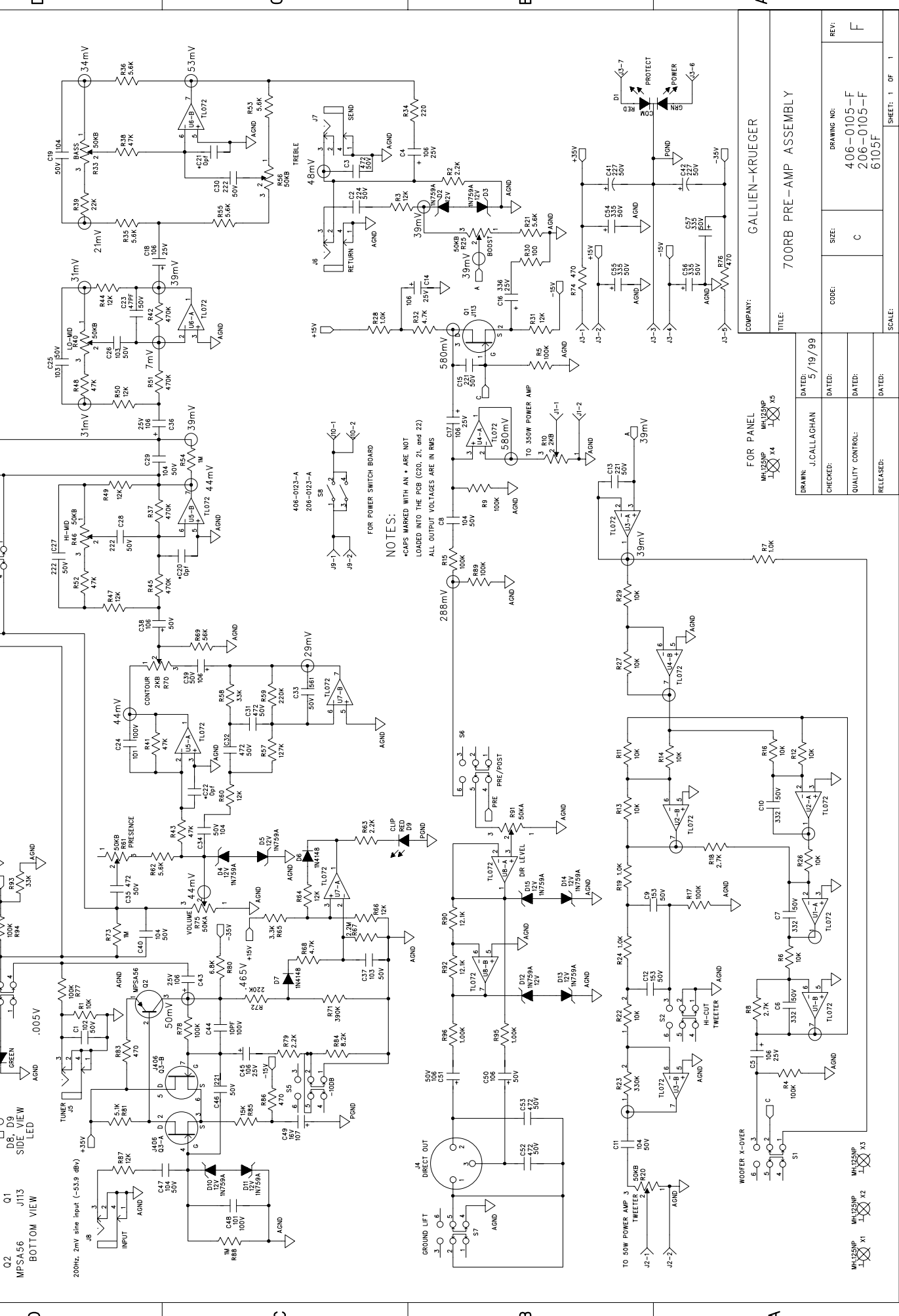
1	2	3	4	5	6
---	---	---	---	---	---

1	2	3	4	5	6
---	---	---	---	---	---

1	2	3	4	5	6
---	---	---	---	---	---

1	2	3	4	5	6
---	---	---	---	---	---

1	2	3	4	5	6
---	---	---	---	---	---



NOTES:
 *CAPS MARKED WITH AN * ARE NOT
 LOADED INTO THE PCB (C20, 21, and 22)
 ALL OUTPUT VOLTAGES ARE IN RMS

COMPANY:		GALLIEN-KRUEGER	
TITLE:		700RB PRE-AMP ASSEMBLY	
DRAWN:	J.CALLAGHAN	DATED:	5/19/99
CHECKED:		DATED:	
QUALITY CONTROL:		DATED:	
RELEASED:		DATED:	
CODE:	C	SIZE:	C
DRAWING NO.:	406-0105-F	REV.:	F
SCALE:		1 OF 1	

FOR PANEL	
MULTISNP	X4
MULTISNP	X5

TO 50W POWER AMP	J2-1	J2-2
TO 35W POWER AMP	J3-1	J3-2
TO 35V	J3-3	J3-4
TO 35V	J3-5	J3-6
TO 35V	J3-7	J3-8
TO 35V	J3-9	J3-10
TO 35V	J3-11	J3-12
TO 35V	J3-13	J3-14
TO 35V	J3-15	J3-16
TO 35V	J3-17	J3-18
TO 35V	J3-19	J3-20
TO 35V	J3-21	J3-22
TO 35V	J3-23	J3-24
TO 35V	J3-25	J3-26
TO 35V	J3-27	J3-28
TO 35V	J3-29	J3-30
TO 35V	J3-31	J3-32
TO 35V	J3-33	J3-34
TO 35V	J3-35	J3-36
TO 35V	J3-37	J3-38
TO 35V	J3-39	J3-40
TO 35V	J3-41	J3-42
TO 35V	J3-43	J3-44
TO 35V	J3-45	J3-46
TO 35V	J3-47	J3-48
TO 35V	J3-49	J3-50
TO 35V	J3-51	J3-52
TO 35V	J3-53	J3-54
TO 35V	J3-55	J3-56
TO 35V	J3-57	J3-58
TO 35V	J3-59	J3-60
TO 35V	J3-61	J3-62
TO 35V	J3-63	J3-64
TO 35V	J3-65	J3-66
TO 35V	J3-67	J3-68
TO 35V	J3-69	J3-70
TO 35V	J3-71	J3-72
TO 35V	J3-73	J3-74
TO 35V	J3-75	J3-76
TO 35V	J3-77	J3-78
TO 35V	J3-79	J3-80
TO 35V	J3-81	J3-82
TO 35V	J3-83	J3-84
TO 35V	J3-85	J3-86
TO 35V	J3-87	J3-88
TO 35V	J3-89	J3-90
TO 35V	J3-91	J3-92
TO 35V	J3-93	J3-94
TO 35V	J3-95	J3-96
TO 35V	J3-97	J3-98
TO 35V	J3-99	J3-100

TO 50W POWER AMP	J2-1	J2-2
TO 35W POWER AMP	J3-1	J3-2
TO 35V	J3-3	J3-4
TO 35V	J3-5	J3-6
TO 35V	J3-7	J3-8
TO 35V	J3-9	J3-10
TO 35V	J3-11	J3-12
TO 35V	J3-13	J3-14
TO 35V	J3-15	J3-16
TO 35V	J3-17	J3-18
TO 35V	J3-19	J3-20
TO 35V	J3-21	J3-22
TO 35V	J3-23	J3-24
TO 35V	J3-25	J3-26
TO 35V	J3-27	J3-28
TO 35V	J3-29	J3-30
TO 35V	J3-31	J3-32
TO 35V	J3-33	J3-34
TO 35V	J3-35	J3-36
TO 35V	J3-37	J3-38
TO 35V	J3-39	J3-40
TO 35V	J3-41	J3-42
TO 35V	J3-43	J3-44
TO 35V	J3-45	J3-46
TO 35V	J3-47	J3-48
TO 35V	J3-49	J3-50
TO 35V	J3-51	J3-52
TO 35V	J3-53	J3-54
TO 35V	J3-55	J3-56
TO 35V	J3-57	J3-58
TO 35V	J3-59	J3-60
TO 35V	J3-61	J3-62
TO 35V	J3-63	J3-64
TO 35V	J3-65	J3-66
TO 35V	J3-67	J3-68
TO 35V	J3-69	J3-70
TO 35V	J3-71	J3-72
TO 35V	J3-73	J3-74
TO 35V	J3-75	J3-76
TO 35V	J3-77	J3-78
TO 35V	J3-79	J3-80
TO 35V	J3-81	J3-82
TO 35V	J3-83	J3-84
TO 35V	J3-85	J3-86
TO 35V	J3-87	J3-88
TO 35V	J3-89	J3-90
TO 35V	J3-91	J3-92
TO 35V	J3-93	J3-94
TO 35V	J3-95	J3-96
TO 35V	J3-97	J3-98
TO 35V	J3-99	J3-100

TO 50W POWER AMP	J2-1	J2-2
TO 35W POWER AMP	J3-1	J3-2
TO 35V	J3-3	J3-4
TO 35V	J3-5	J3-6
TO 35V	J3-7	J3-8
TO 35V	J3-9	J3-10
TO 35V	J3-11	J3-12
TO 35V	J3-13	J3-14
TO 35V	J3-15	J3-16
TO 35V	J3-17	J3-18
TO 35V	J3-19	J3-20
TO 35V	J3-21	J3-22
TO 35V	J3-23	J3-24
TO 35V	J3-25	J3-26
TO 35V	J3-27	J3-28
TO 35V	J3-29	J3-30
TO 35V	J3-31	J3-32
TO 35V	J3-33	J3-34
TO 35V	J3-35	J3-36
TO 35V	J3-37	J3-38
TO 35V	J3-39	J3-40
TO 35V	J3-41	J3-42
TO 35V	J3-43	J3-44
TO 35V	J3-45	J3-46
TO 35V	J3-47	J3-48
TO 35V	J3-49	J3-50
TO 35V	J3-51	J3-52
TO 35V	J3-53	J3-54
TO 35V	J3-55	J3-56
TO 35V	J3-57	J3-58
TO 35V	J3-59	J3-60
TO 35V	J3-61	J3-62
TO 35V	J3-63	J3-64
TO 35V	J3-65	J3-66
TO 35V	J3-67	J3-68
TO 35V	J3-69	J3-70
TO 35V	J3-71	J3-72
TO 35V	J3-73	J3-74
TO 35V	J3-75	J3-76
TO 35V	J3-77	J3-78
TO 35V	J3-79	J3-80
TO 35V	J3-81	J3-82
TO 35V	J3-83	J3-84
TO 35V	J3-85	J3-86
TO 35V	J3-87	J3-88
TO 35V	J3-89	J3-90
TO 35V	J3-91	J3-92
TO 35V	J3-93	J3-94
TO 35V	J3-95	J3-96
TO 35V	J3-97	J3-98
TO 35V	J3-99	J3-100

TO 50W POWER AMP	J2-1	J2-2
TO 35W POWER AMP	J3-1	J3-2
TO 35V	J3-3	J3-4
TO 35V	J3-5	J3-6
TO 35V	J3-7	J3-8
TO 35V	J3-9	J3-10
TO 35V	J3-11	J3-12
TO 35V	J3-13	J3-14
TO 35V	J3-15	J3-16
TO 35V	J3-17	J3-18
TO 35V	J3-19	J3-20
TO 35V	J3-21	J3-22
TO 35V	J3-23	J3-24
TO 35V	J3-25	J3-26
TO 35V	J3-27	J3-28
TO 35V	J3-29	J3-30
TO 35V	J3-31	J3-32
TO 35V	J3-33	J3-34
TO 35V	J3-35	J3-36
TO 35V	J3-37	J3-38
TO 35V	J3-39	J3-40
TO 35V	J3-41	J3-42
TO 35V	J3-43	J3-44
TO 35V	J3-45	J3-46
TO 35V	J3-47	J3-48
TO 35V	J3-49	J3-50
TO 35V	J3-51	J3-52
TO 35V	J3-53	J3-54
TO 35V	J3-55	J3-56
TO 35V	J3-57	J3-58
TO 35V	J3-59	J3-60
TO 35V	J3-61	J3-62
TO 35V	J3-63	J3-64
TO 35V	J3-65	J3-66
TO 35V	J3-67	J3-68
TO 35V	J3-69	J3-70
TO 35V	J3-71	J3-72
TO 35V	J3-73	J3-74
TO 35V	J3-75	J3-76
TO 35V	J3-77	J3-78
TO 35V	J3-79	J3-80
TO 35V	J3-81	J3-82
TO 35V	J3-83	J3-84
TO 35V	J3-85	J3-86
TO 35V	J3-87	J3-88
TO 35V	J3-89	J3-90
TO 35V	J3-91	J3-92
TO 35V	J3-93	J3-94
TO 35V	J3-95	J3-96
TO 35V	J3-97	J3-98
TO 35V	J3-99	J3-100

TO 50W POWER AMP	J2-1	J2-2
TO 35W POWER AMP	J3-1	J3-2
TO 35V	J3-3	J3-4
TO 35V	J3-5	J3-6
TO 35V	J3-7	J3-8
TO 35V	J3-9	J3-10
TO 35V	J3-11	J3-12
TO 35V	J3-13	J3-14
TO 35V	J3-15	J3-16
TO 35V	J3-17	J3-18
TO 35V	J3-19	J3-20
TO 35V	J3-21	J3-22
TO 35V	J3-23	J3-24
TO 35V	J3-25	J3-26
TO 35V	J3-27	J3-28
TO 35V	J3-29	J3-30
TO 35V	J3-31	J3-32
TO 35V	J3-33	J3-34
TO 35V	J3-35	J3-36
TO 35V	J3-37	J3-38
TO 35V	J3-39	J3-40
TO 35V	J3-41	J3-42
TO 35V	J3-43	J3-44
TO 35V	J3-45	J3-46
TO 35V	J3-47	J3-48
TO 35V	J3-49	J3-50
TO 35V	J3-51	J3-52
TO 35V	J3-53	J3-54
TO 35V	J3-55	J3-56
TO 35V	J3-57	J3-58
TO 35V	J3-59	J3-60
TO 35V	J3-61	J3-62
TO 35V	J3-63	J3-64
TO 35V	J3-65	J3-66
TO 35V	J3-67	J3-68
TO 35V	J3-69	J3-70
TO 35V	J3-71	J3-72
TO 35V	J3-73	J3-74
TO 35V	J3-75	J3-76
TO 35V	J3-77	J3-78
TO 35V	J3-79	J3-80
TO 35V	J3-81	J3-82
TO 35V	J3-83	J3-84
TO 35V	J3-85	J3-86
TO 35V	J3-87	J3-88
TO 35V	J3-89	J3-90
TO 35V	J3-91	J3-92
TO 35V	J3-93	J3-94
TO 35V	J3-95	J3-96
TO 35V	J3-97	J3-98
TO 35V	J3-99	J3-100

TO 50W POWER AMP	J2-1	J2-2
TO 35W POWER AMP	J3-1	J3-2
TO 35V	J3-3	J3-4
TO 35V	J3-5	J3-6
TO 35V	J3-7	J3-8
TO 35V	J3-9	J3-10
TO 35V	J3-11	J3-12
TO 35V	J3-13	J3-14
TO 35V	J3-15	J3-16
TO 35V	J3-17	J3-18
TO 35V	J3-19	J3-20
TO 35V	J3-21	J3-22
TO 35V	J3-23	J3-24
TO 35V	J3-25	J3-26
TO 35V	J3-27	J3-28
TO 35V	J3-29	J3-30
TO 35V	J3-31	J3-32
TO 35V	J3-33	J3-34
TO 35V	J3-35	J3-36
TO 35V	J3-37	J3-38
TO 35V	J3-39	J3-40
TO 35V	J3-41	J3-42
TO 35V	J3-43	J3-44
TO 35V	J3-45	J3-46
TO 35V	J3-47	J3-48
TO 35V	J3-49	J3-50
TO		

REVISION RECORD	
LTR	APPROVED:
ECO NO:	DATE:

1

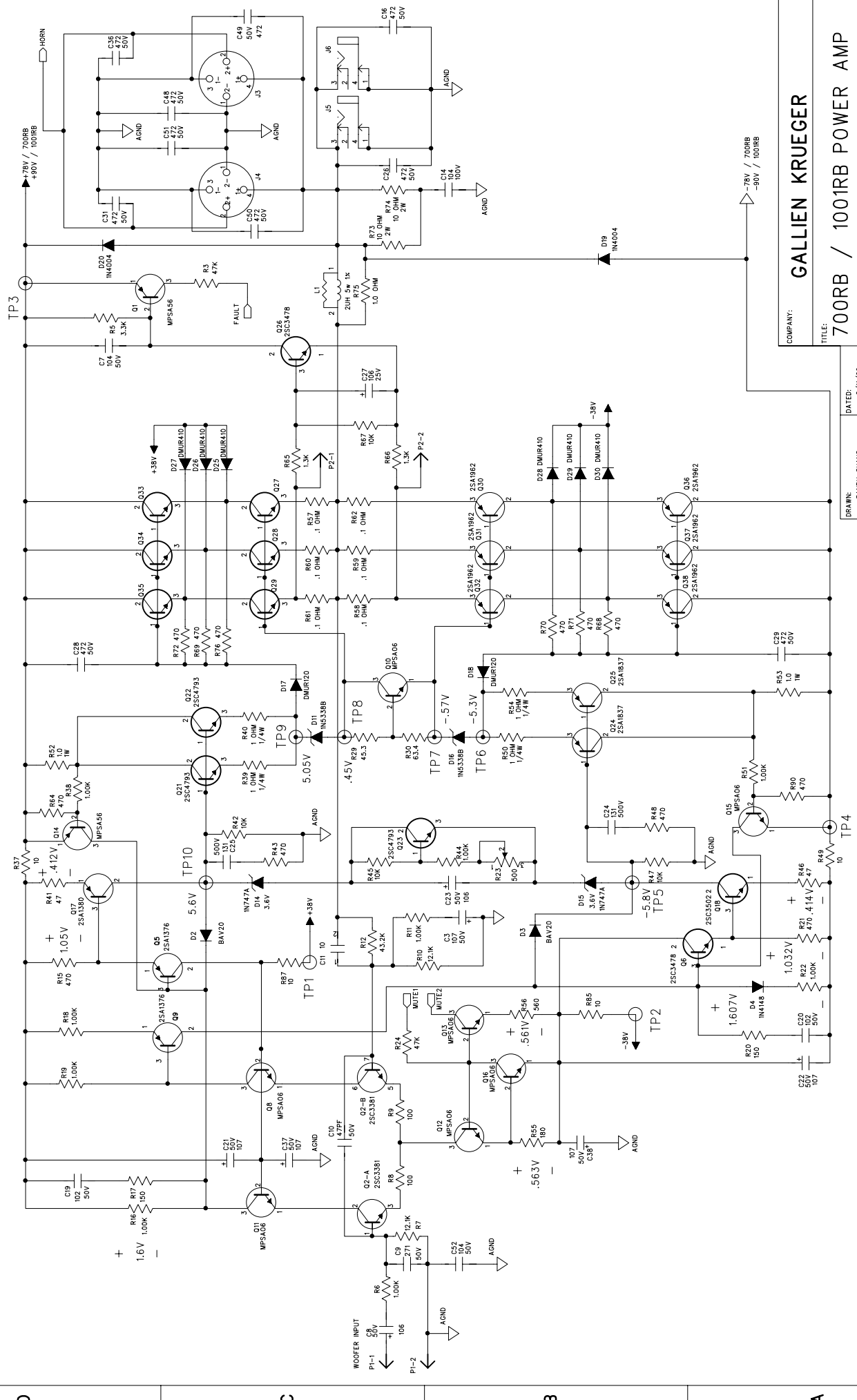
2

3

4

5

6

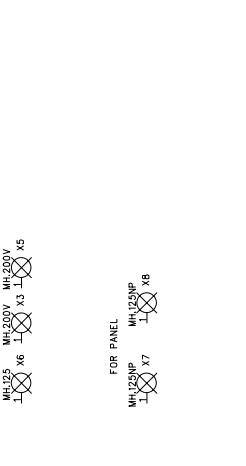
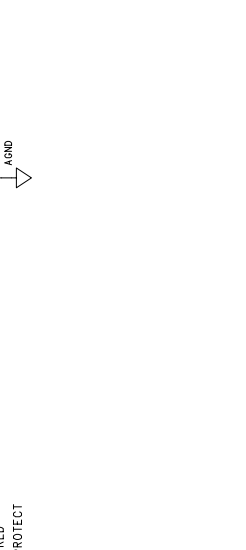
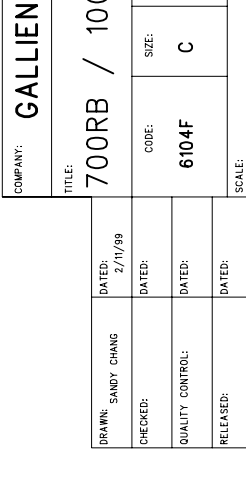
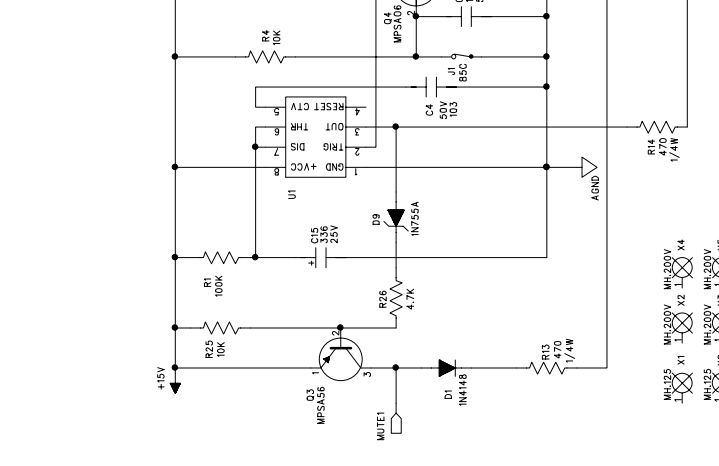
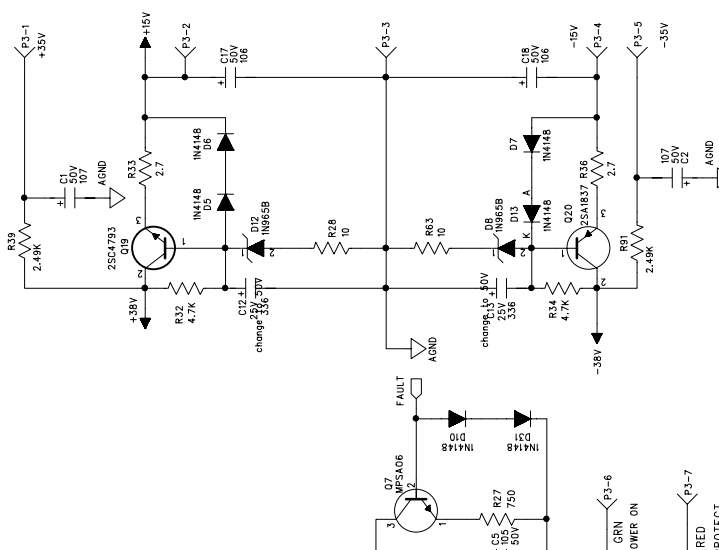
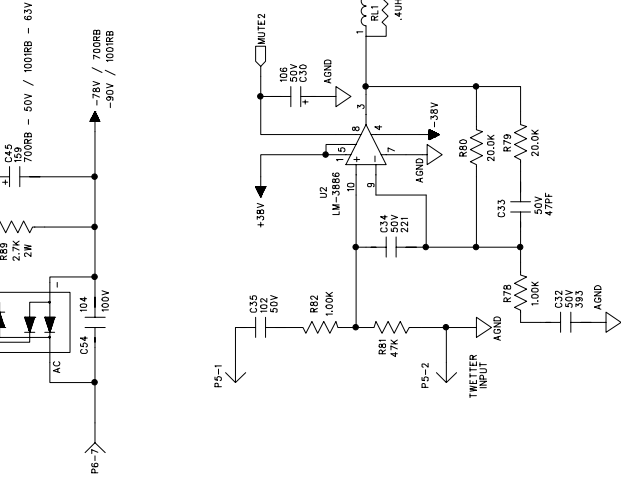
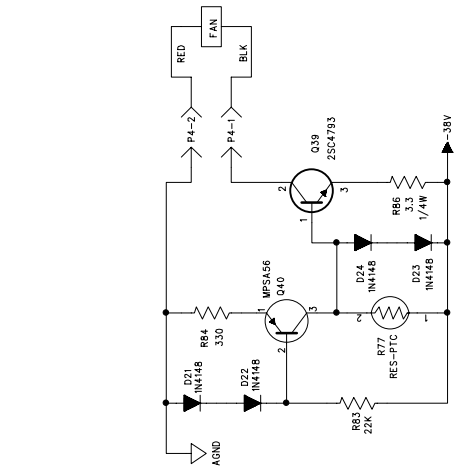
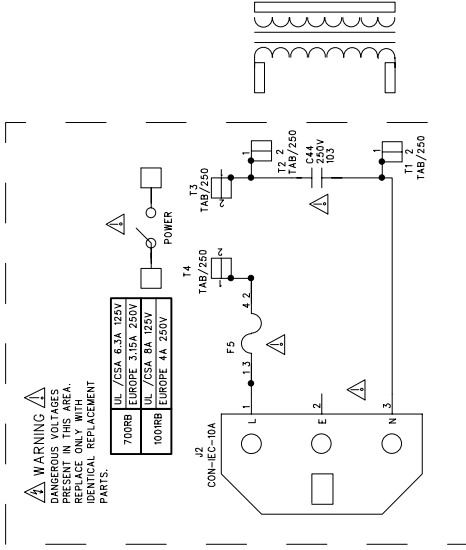
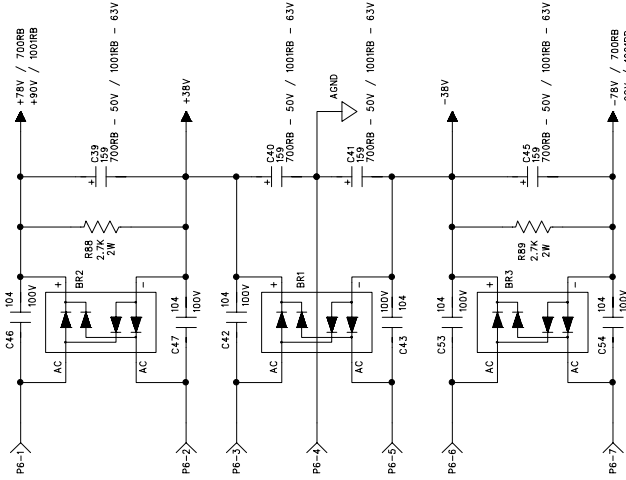


COMPANY: **GALLIEN KRUEGER**
 TITLE: **700RB / 1001RB POWER AMP**

DRAWN: SANDY CHANG	DATED: 2/11/89
CHECKED:	DATED:
QUALITY CONTROL:	DATED:
RELEASED:	DATED:

CODE: 6104F	SIZE: C	DRAWING NO: 406-0104-F	REV: F1
		PART NO: 206-0104-F	

BIAS ADJUSTMENT PROCEDURE:
 WITH POWER OFF, ADJUST POT R23 TO FULL COUNTER-CLOCKWISE POSITION.
 TURN ON POWER AND WAIT 5 SECONDS FOR TURN ON DELAY.
 TURN R23 CLOCKWISE UNTIL VOLTAGE ACROSS P2 READS 5 mVDC.



FOR PANEL
 MH125NP
 MH125NP
 MH125NP

COMPANY: **GALLIEN KRUEGER**
 TITLE: **700RB / 1001RB POWER AMP**
 DRAWING NO: **406-0104-F**
 PART NO: **206-0104-F**
 SCALE: **F1**
 SHEET 2 OF 2